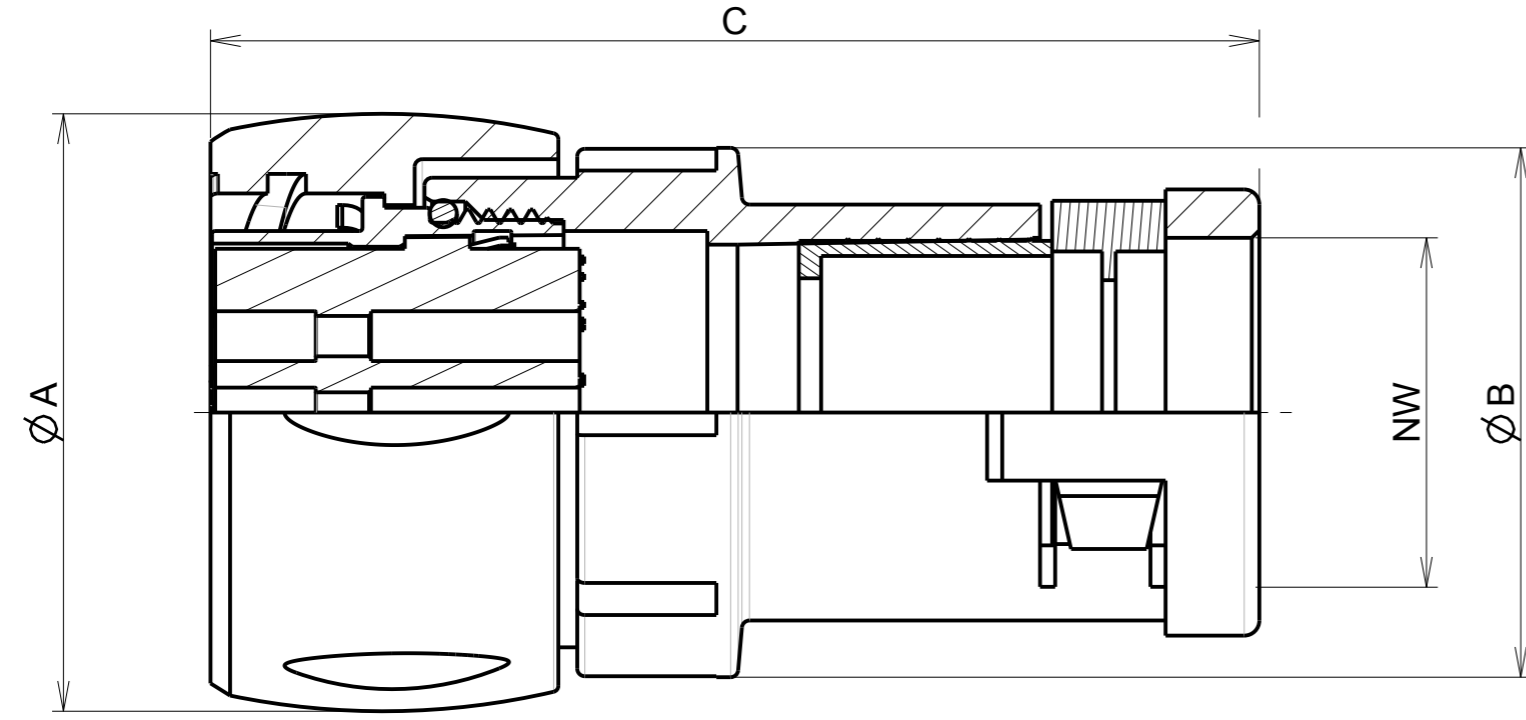
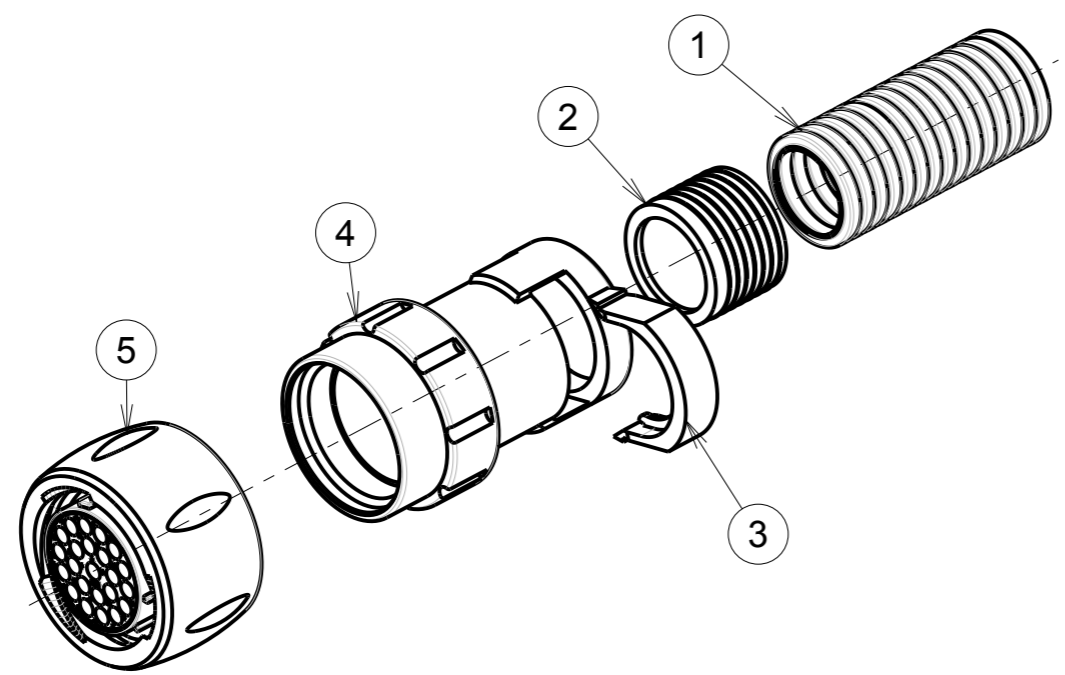


b:0;RL



ASSEMBLED VIEW

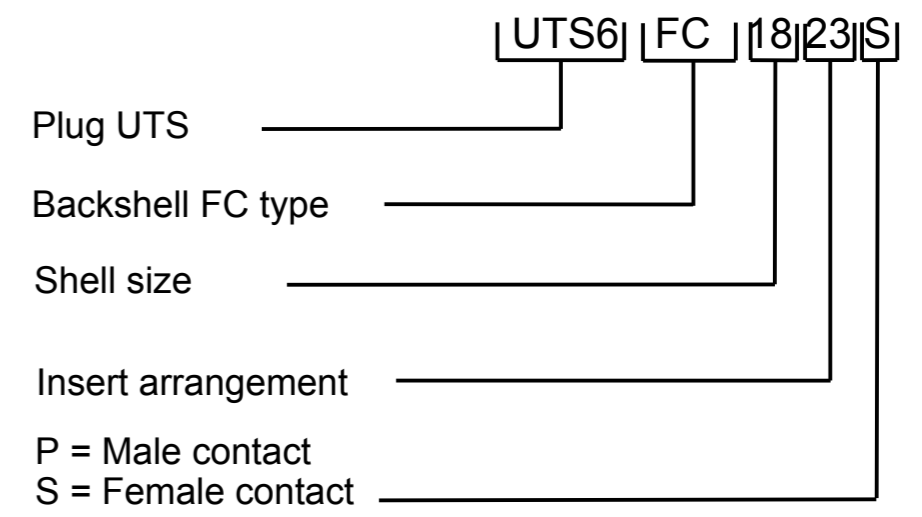
| P/N           | CONNECTOR SIZE | FLEX SIZE CONDUIT (see note 5) | Ø A Maxi | Ø B ±0.3 | C ± 0.6 |
|---------------|----------------|--------------------------------|----------|----------|---------|
| UTS6FC12XXP/S | 12             | NW12                           | 30.15    | 24       | 61      |
| UTS6FC14XXS   | 14             | NW12                           | 35.1     | 26.5     | 61      |
| UTS6FC18XXS   | 18             | NW17                           | 42       | 35       | 69.2    |



**MATERIAL :**  
 ④ Backshell body :Polyamid  
 ② Seal : Elastomer  
 ③ Retaining clip : Polyamid  
 ⑤ Coupling Nut:Polyamid  
 Insert:Polyamid  
 Shell : Polyamid  
 Coupling spring : stainless steal  
 O'seal : NBR

**PERFORMANCE CHARACTERISTICS :**  
 Operating temperature:-40°C up to 105°C  
 Corrosion salt spray:500 hours  
 Sealing in assembly conditions: (with an UTS connector)  
 -IP68 compliant ; 1 bars/30 min  
 -IP69K as per DIN40050  
 Insulation resistance: 5000 M min  
 Test potential : 2000Vrms for #16 layout  
 Durability: 250 matings and unmatings  
 Flammability: Polyamid material classified UL94 V-0

**NOTES :**  
 -1-Contact to be ordered separately :refer to UTS catalog  
 -2-Insert arrangements refer to BT 297 see drawing for information: C142-UTS1-A  
 -For male plug, only layout size 12  
 -3-Polarization of connector: refer to :  
 -UT0-POLARIZATION-C01  
 -UT0W-POLARIZATION-C01  
 -4-Delivered as a kit in a plastic bag (individual): with parts 2, 3, 4 and 5  
 -5-Recommended flexible conduit range :PMAFLEX  
 -6-For assembly instruction, see BT297



**P/N : UTS6FC12\*\*P  
 UTS6FC\*\*\*\*S**

|                          |          |  |                           |  |
|--------------------------|----------|--|---------------------------|--|
| b                        | 07/06/13 | —  | Modification notes        | 22523A   |
| ISS                      | DATE     | Latest modification - by: J.FEURPRIER                      |                           | MOD N°   |
| Designed by: J.FEURPRIER |          | Date:02/04/13  | CUSTOMER DRAWING          |  |
| TITLE                    |          | ASSEMBLY BACKSHELL AND UTS PLUG CONNECTOR<br>UTS CONNECTOR |                           |  |
| Scale                    | 1/2      | General linear Tolerances: ± 0.2                           | NPRDS / PROJECT IC124509A |  |
| SOURIAU                  |          | WWW.SOURIAU.COM  |                           | This document is the property of SOURIAU<br>It must not be reproduced or communicated without permission |
| FORMAT                   | A3       | SOURIAU DRG N° C186-UTS1-A                                 |                           | SHEET 1 / 1  |