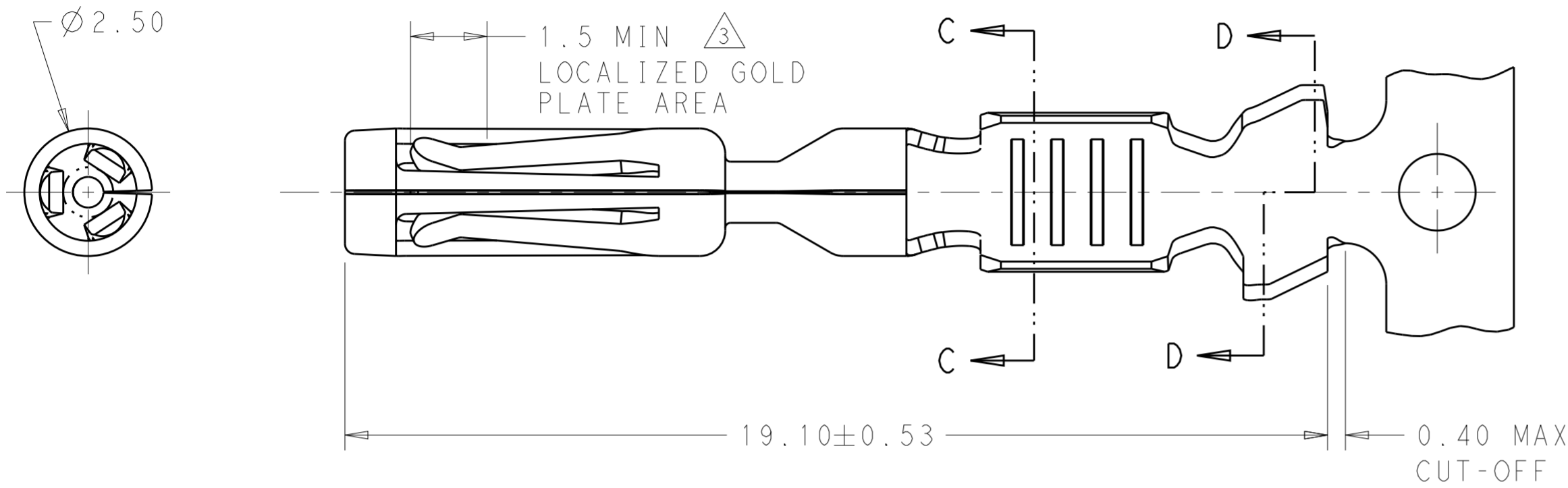


THIS DRAWING IS UNPUBLISHED. RELEASED FOR PUBLICATION 2012
 © COPYRIGHT 2012 BY TE CONNECTIVITY ALL RIGHTS RESERVED.

LOC	DIST	REVISIONS					
CM	00	P	LTR	DESCRIPTION	DATE	DWN	APVD
		D5		REVISED PER ECO-12-011527	19JUN2012	RGV	DCS
		D6		REVISED PER ECO-13-006897	22APR2013	DLG	DCS
		D7		REVISED PER ECO-13-013385	24OCT2013	DLG	DCS



1. WIRE RANGE: 20-16 AWG, 1.0mm², 1.5mm².
2. INSULATION RANGE: 1.70-2.70.
- △ .00075 MIN GOLD IN THE LOCALIZED GOLD PLATE AREA, .0025 MIN MATTE TIN IN THE LOCALIZED TIN PLATE AREA OVER .00125 MIN NICKEL OVER ENTIRE CONTACT.
4. USED WITH AMPSEAL PLUG ASSEMBLY: 776286, 776273, 770680, 776164.

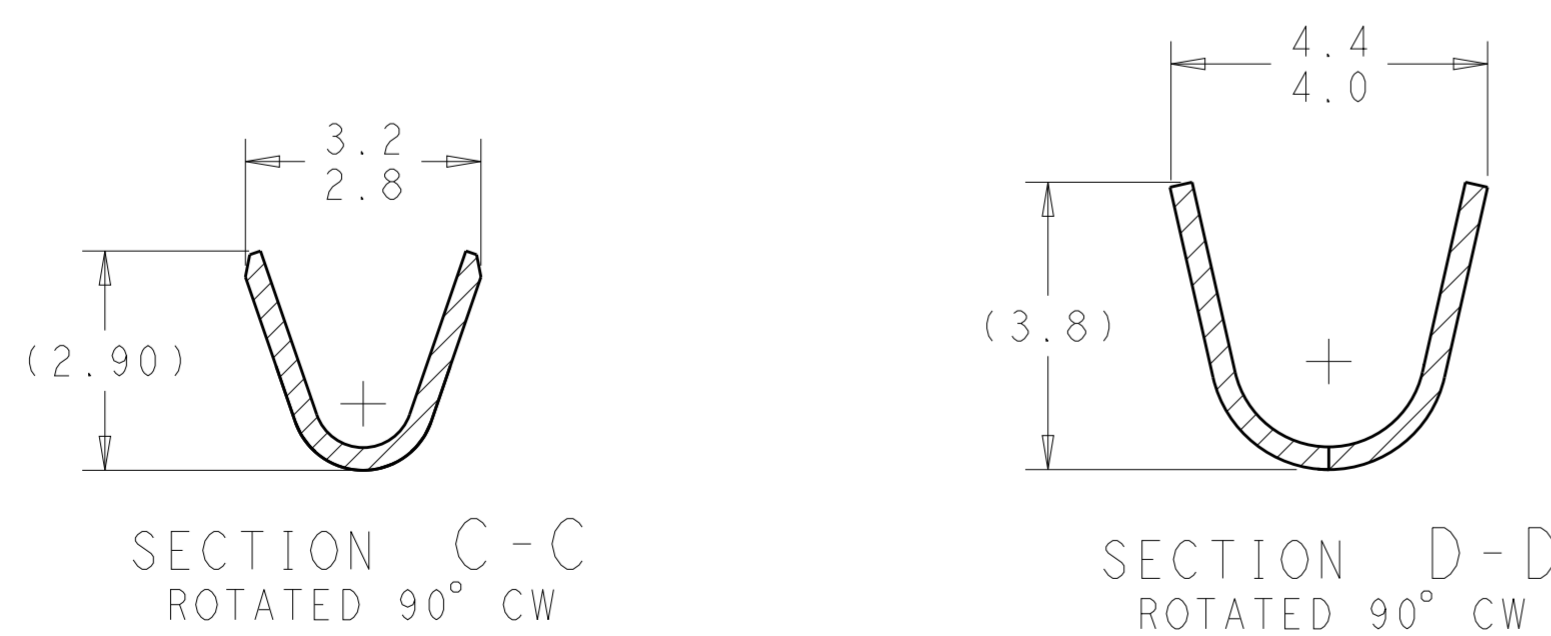
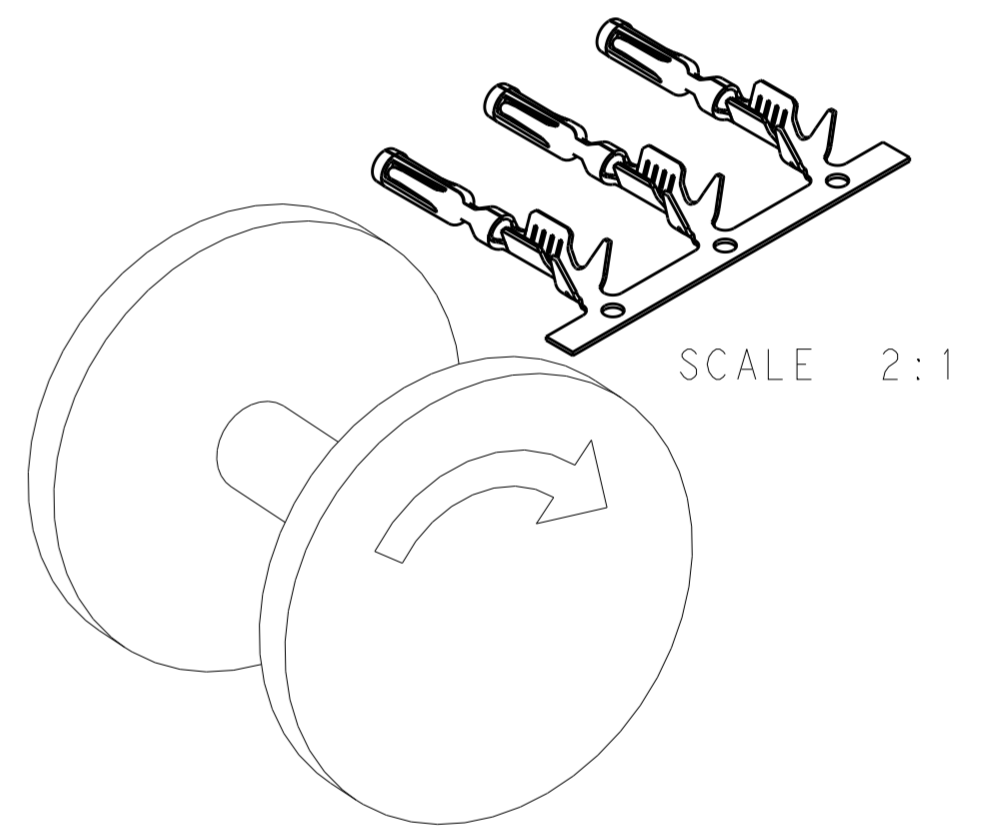
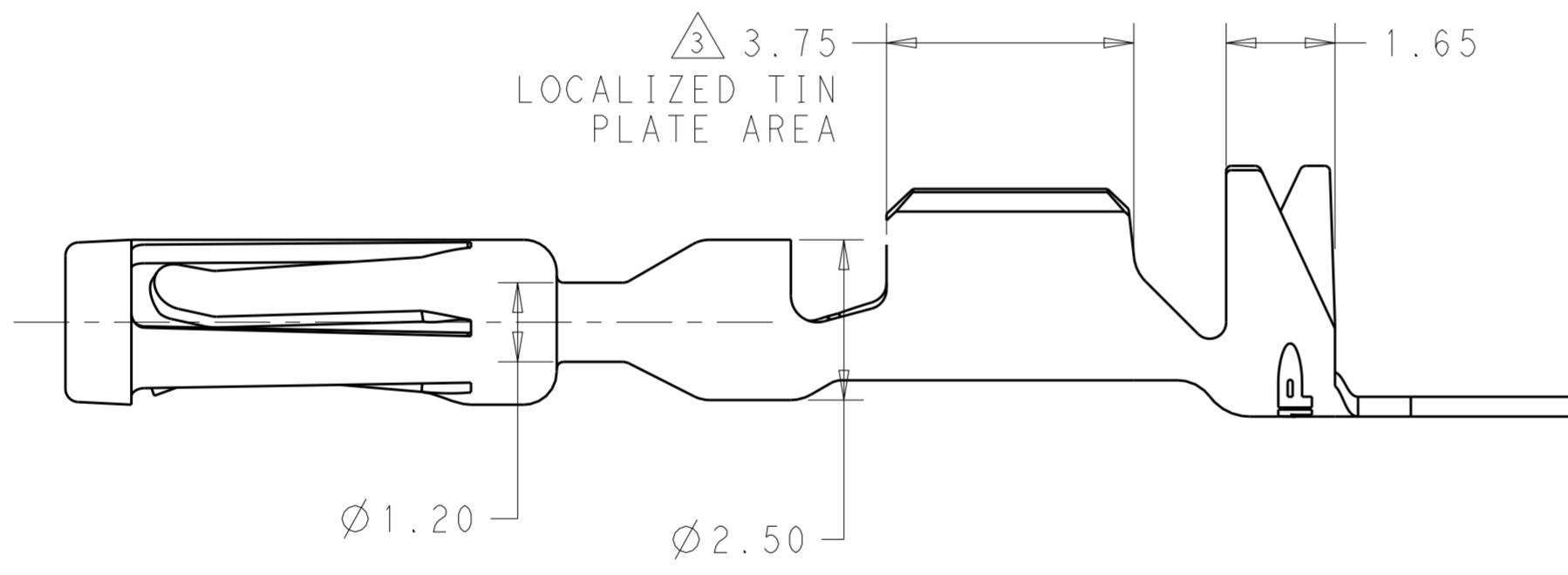


FIGURE 1
FINAL PAYOUT DIRECTION

770854-3	GOLD △	0.38 COPPER ALLOY	770520-3
770854-1	PRE-TIN	0.38 COPPER ALLOY	770520-1
LOOSE PIECE	FINISH	MATERIAL	PART NUMBER

DIMENSIONS:		TOLERANCES UNLESS OTHERWISE SPECIFIED:		DWN		R. VESTAL		19 JUN 2012	
mm		0 PLC	±	CHK	D. STRAUSSER	TE Connectivity			
		1 PLC	±	APVD	D. STRAUSSER	CONTACT, AMPSEAL			
		2 PLC	±0.15	PRODUCT SPEC		-			
		3 PLC	±	APPLICATION SPEC		-			
		4 PLC	±	114-16016		-			
		ANGLES	±	WEIGHT		-			
		FINISH	±	CUSTOMER DRAWING		-			
SEE TABLE		SEE TABLE		SCALE 10:1		SHEET 1 OF 1		REV D7	