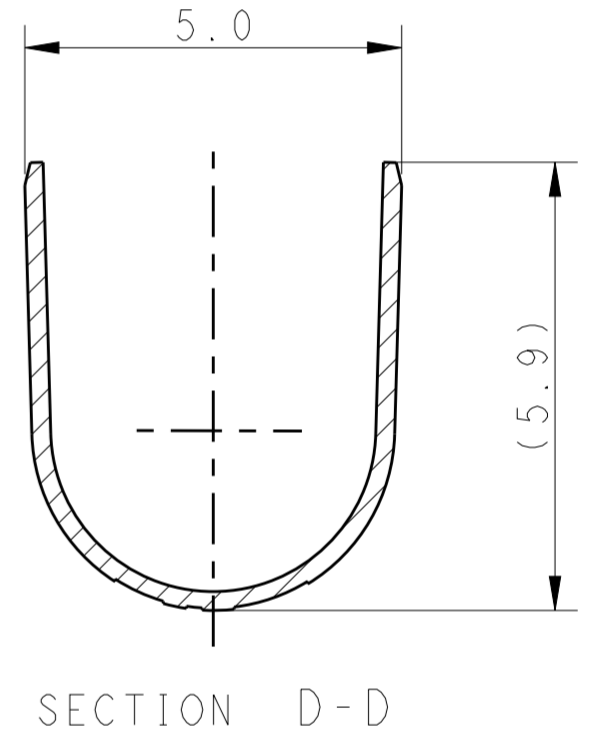
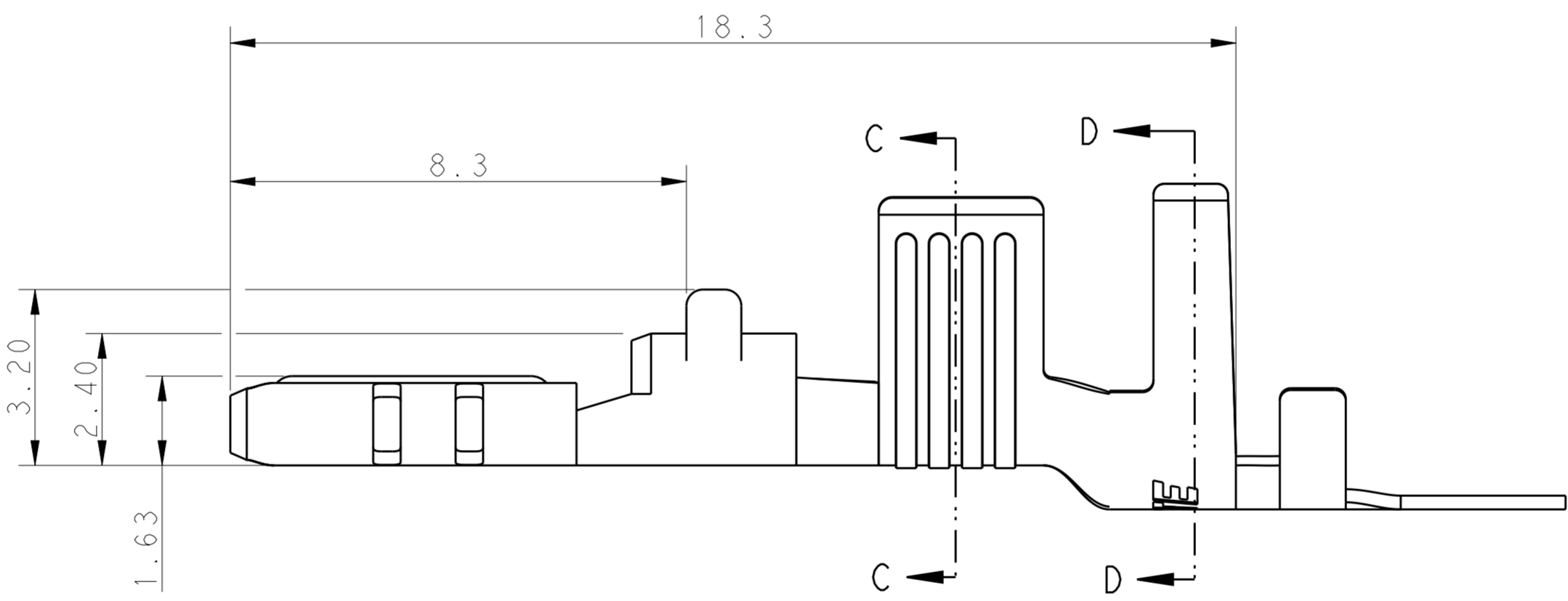
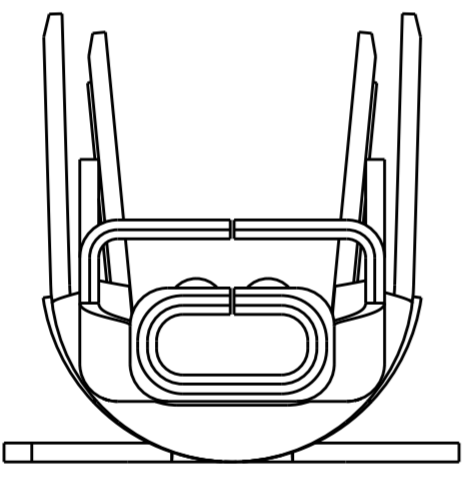
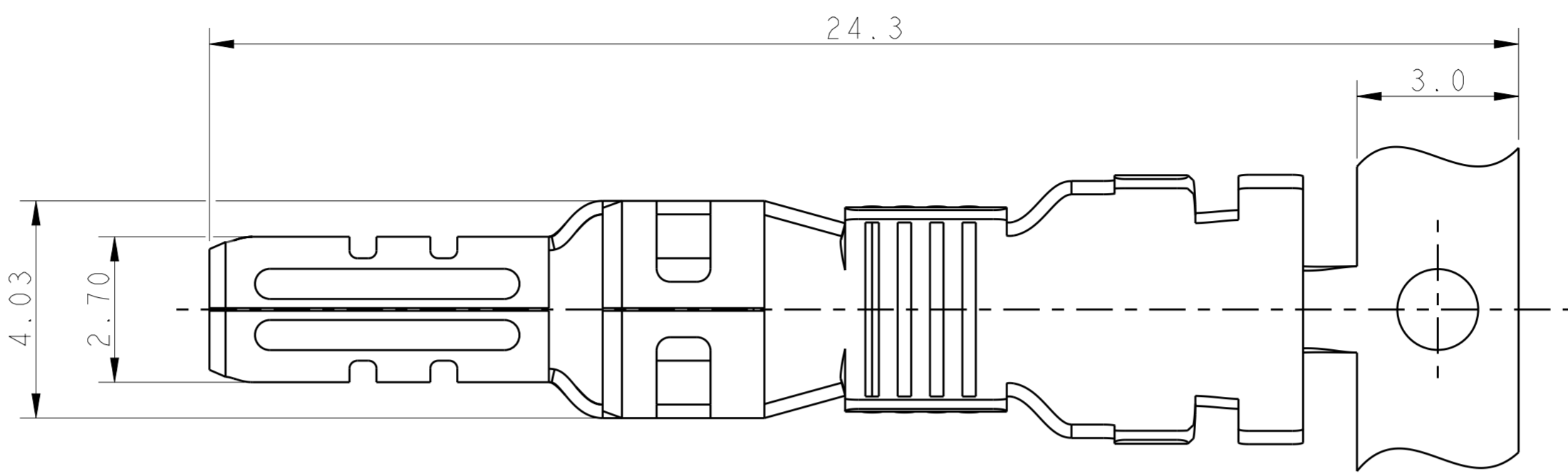
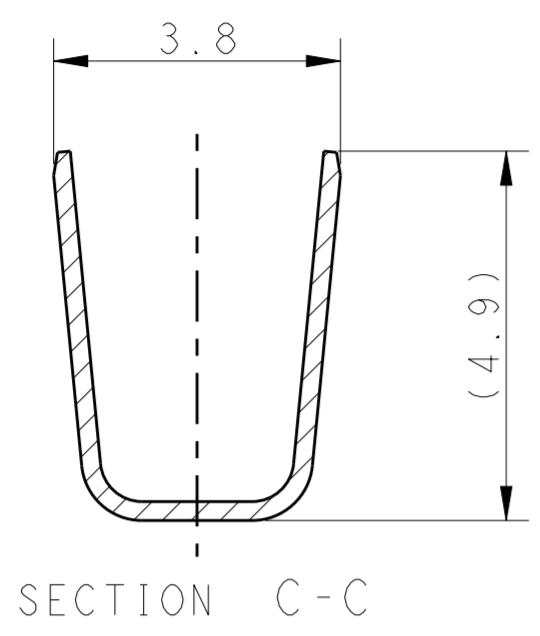


THIS DRAWING IS UNPUBLISHED. RELEASED FOR PUBLICATION 20
 © COPYRIGHT 20 BY - ALL RIGHTS RESERVED.

LOC	DIST	REVISIONS			
P	LTR	DESCRIPTION	DATE	DWN	APVD
ES	00				
	A1	REVISED PER ECR-14-000140	07JAN2014	KH	GJ

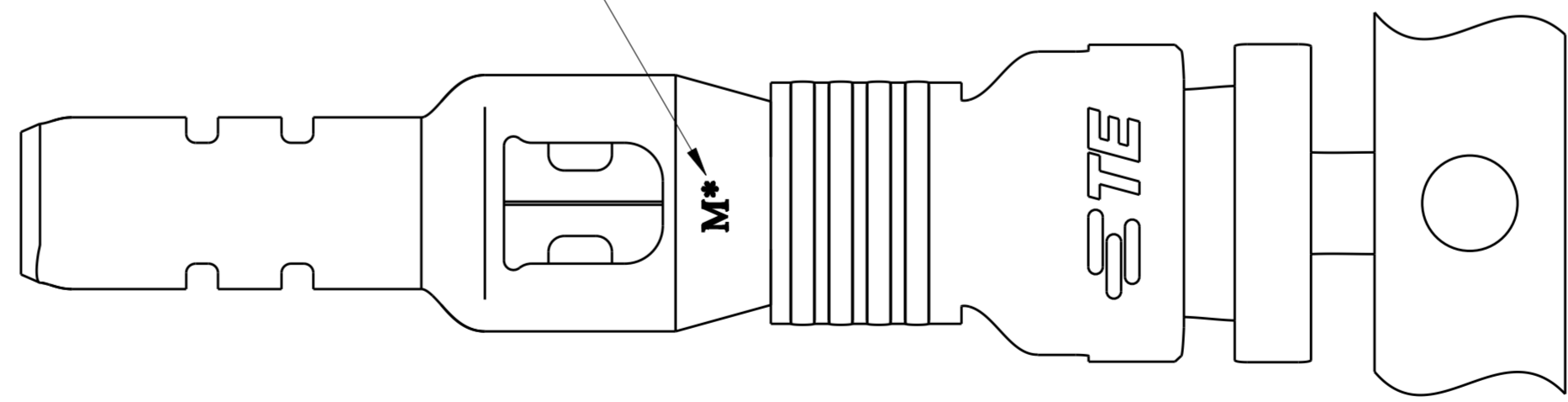


NOTE:

1. MATERIAL: COPPER ALLOY, PRE TIN PLATING
2. PRODUCT SPEC: 108-106118
3. APPLICATION SPEC: 114-106118
4. APPLICABLE MATED CAP HOUSING P/N:
 -1971771-/*-1971774-*/*-1971874-*/
 -1971772-/*-1971775-*/*-1971875-*/
 -2232263-/*-2232264-*/*-2232356-*/
 -2232358-/*-2232359-*/*-2232360-*
5. APPLICABLE WIRE: 12AWG COPPER
6. APPLICABLE INSULATION DIAMETER: 3.85~4.25mm

1. This product has not completed validation testing.

MATERIAL MARK



HIGH(150°C)	M0	1971780-2
STANDARD(105°C)	M4	1971780-1
TEMP. RATING	MATERIAL MARK	PART NO

THIS DRAWING IS A CONTROLLED DOCUMENT.		DWN TOMMY WU 11JUL2011	STE TE Connectivity	
DIMENSIONS: mm		CHK HAPYE WU 11JUL2011		
TOLERANCES UNLESS OTHERWISE SPECIFIED:		APVD YUHONG MAO 11JUL2011	NAME	
0 PLC ±0.5	1 PLC ±0.30	PRODUCT SPEC	TAB CONTACT POWER TRIPLE LOCK	
2 PLC ±0.30	3 PLC ±	APPLICATION SPEC	SIZE	CAGE CODE
4 PLC ±	ANGLES ±	114-106118	A2	00779
FINISH		WEIGHT	DRAWING NO	RESTRICTED TO
			C-1971780	
		Customer Drawing	SCALE	SHEET 1 OF 1
				REV A1