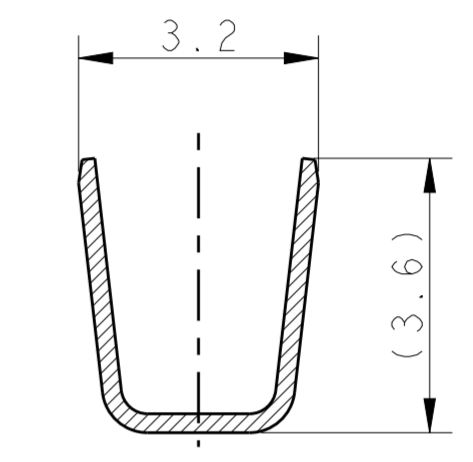
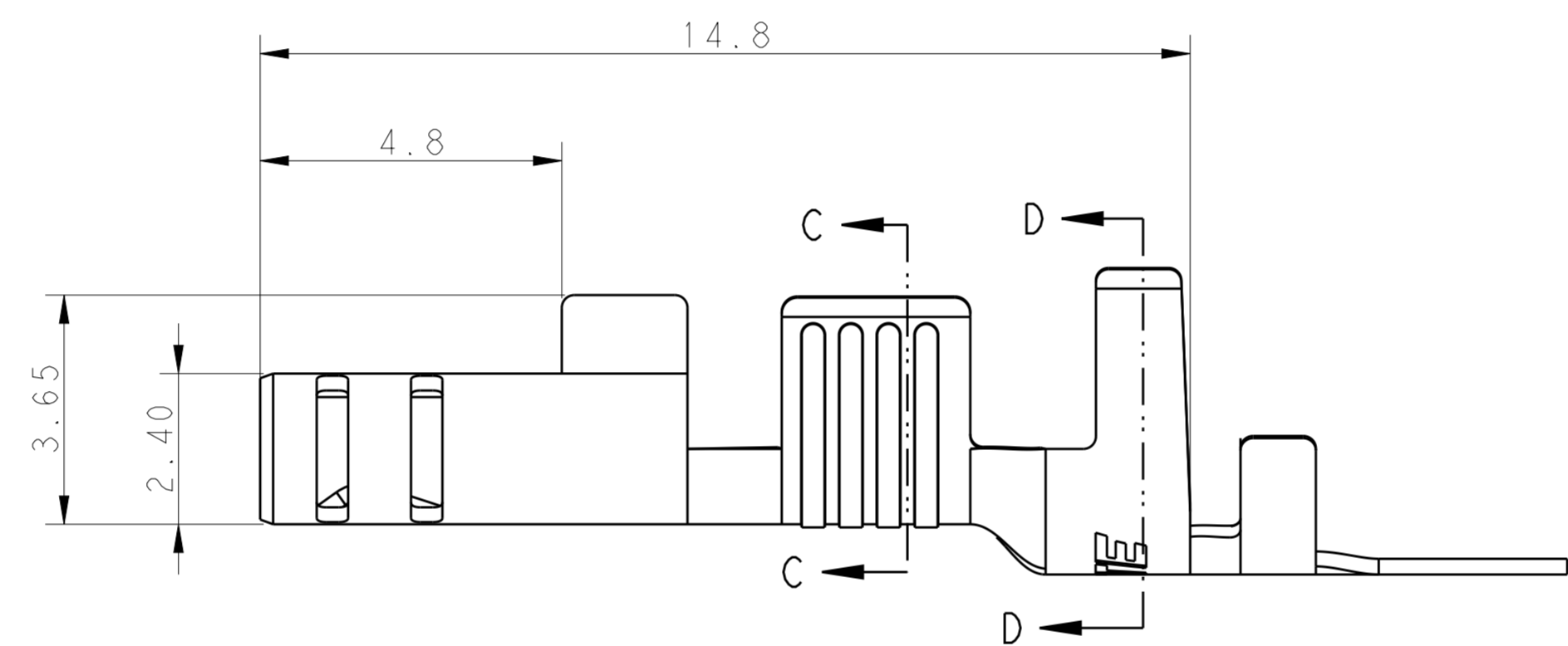
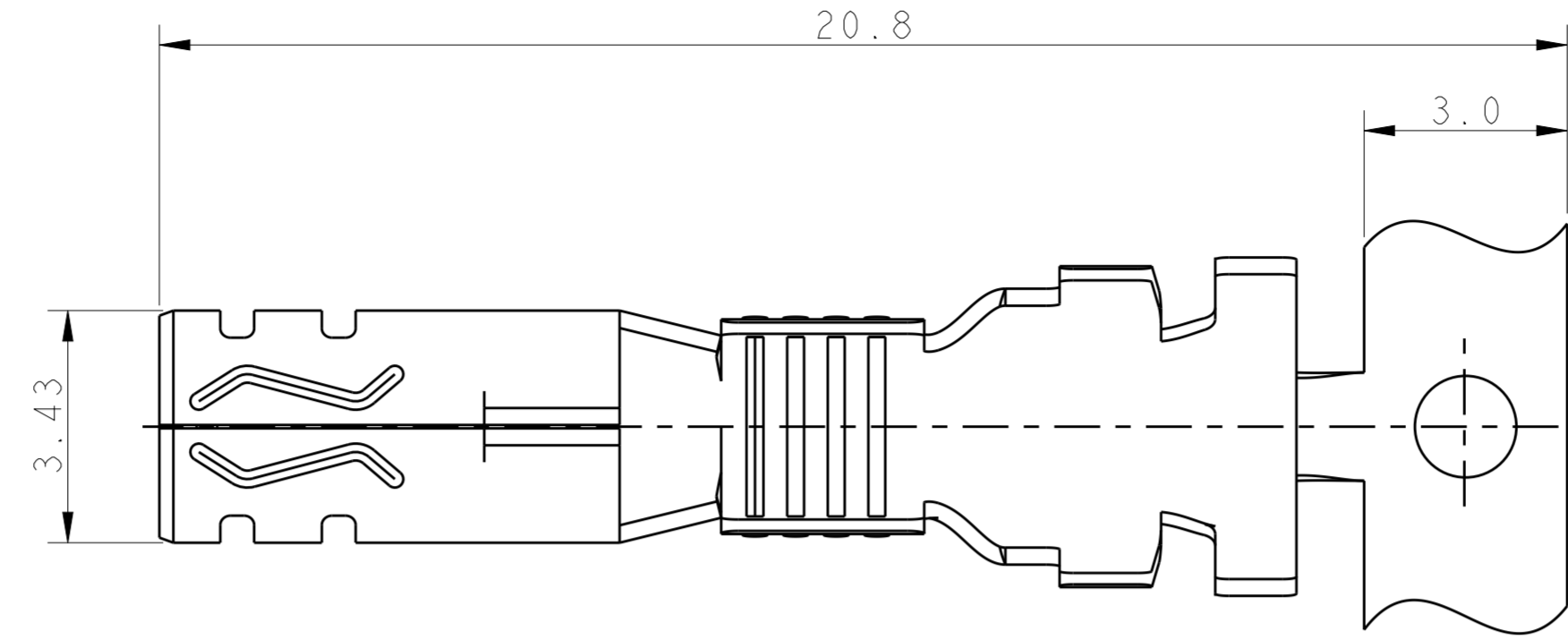
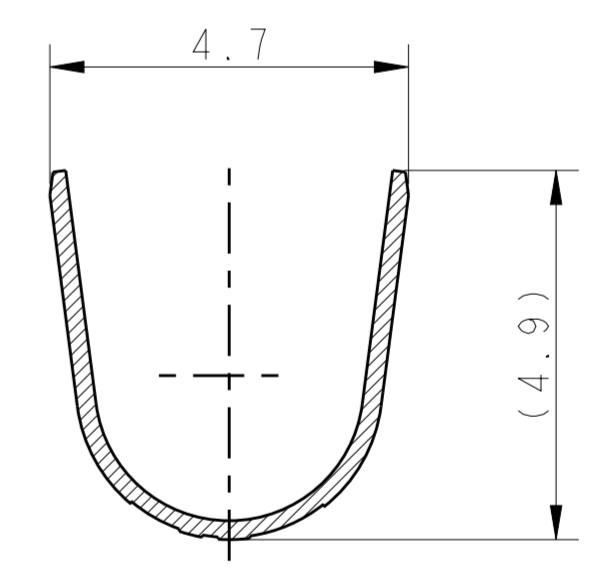


THIS DRAWING IS UNPUBLISHED. RELEASED FOR PUBLICATION 20
 © COPYRIGHT 20 BY - ALL RIGHTS RESERVED.

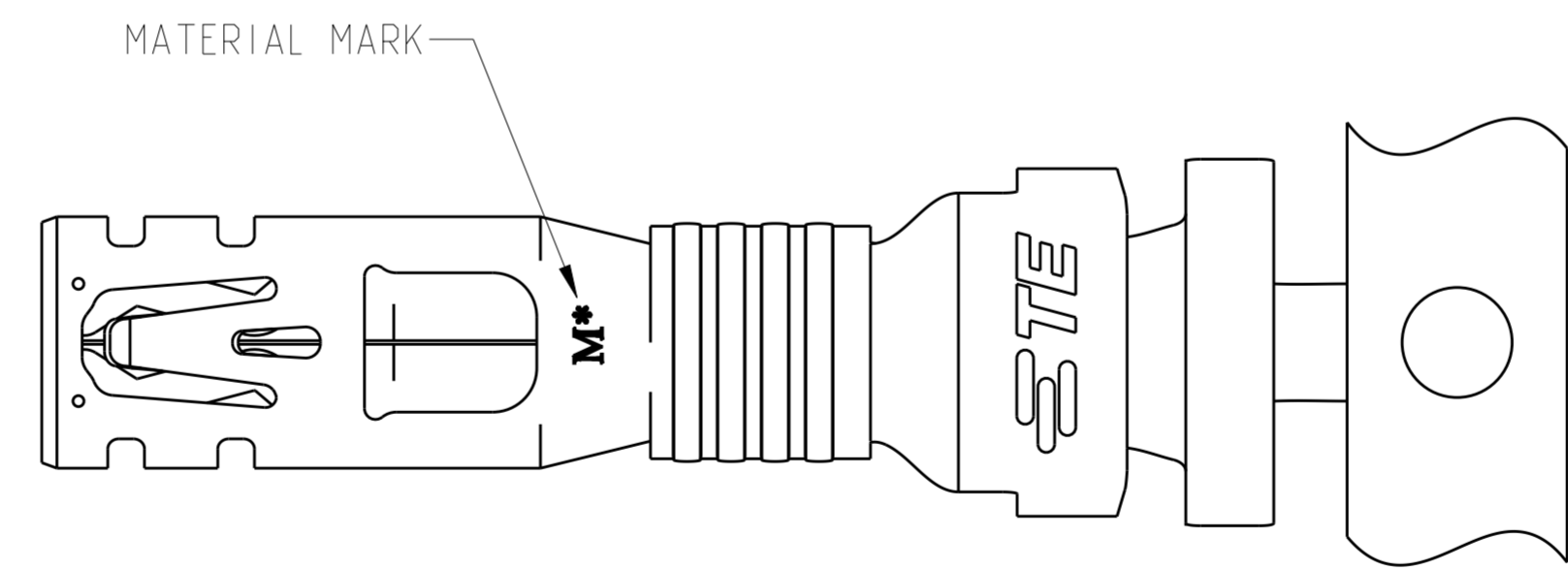
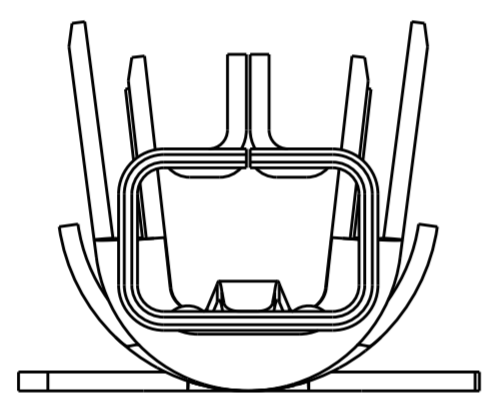
REVISIONS				
P	LTR	DESCRIPTION	DATE	APVD
A1		REVISED PER ECR-14-000140	07JAN2014	KH GJ



SECTION C-C



SECTION D-D



- NOTE:
1. MATERIAL: COPPER ALLOY, PRE TIN PLATING
 2. PRODUCT SPEC: 108-106118
 3. APPLICATION SPEC: 114-106118
 4. APPLICABLE MATED PLUG HOUSING P/N:
 -1971773-/*-1971776-*/*-1971876-*/
 -2232265-/*-2232266-*/*-2232357-*
 5. APPLICABLE WIRE: 14AWG COPPER
 6. APPLICABLE INSULATION DIAMETER: 3.40~3.70mm

1. This product has not completed validation testing.

HIGH(150°C)	M0	1971781-2
STANDARD(105°C)	M1	1971781-1
TEMP. RATING	MATERIAL MARK	PART NO

THIS DRAWING IS A CONTROLLED DOCUMENT.		DWN TOMMY_WU 11JUL2012	STE TE Connectivity	
DIMENSIONS: mm		CHK HAPYE_WU 11JUL2012		
TOLERANCES UNLESS OTHERWISE SPECIFIED:		APVD YUHHONG_MAO 11JUL2012	NAME RECEPTACLE CONTACT POWER TRIPLE LOCK	
0 PLC ±	±0.5	PRODUCT SPEC 108-106118	SIZE CAGE CODE DRAWING NO RESTRICTED TO	
1 PLC ±	±0.30	APPLICATION SPEC 114-106118	A2 100779 C-1971781	
2 PLC ±	±	WEIGHT -	SCALE - SHEET 1 OF 1 REV A1	
3 PLC ±	±	Customer Drawing		
4 PLC ±	±			
ANGLES ±	±			
FINISH				