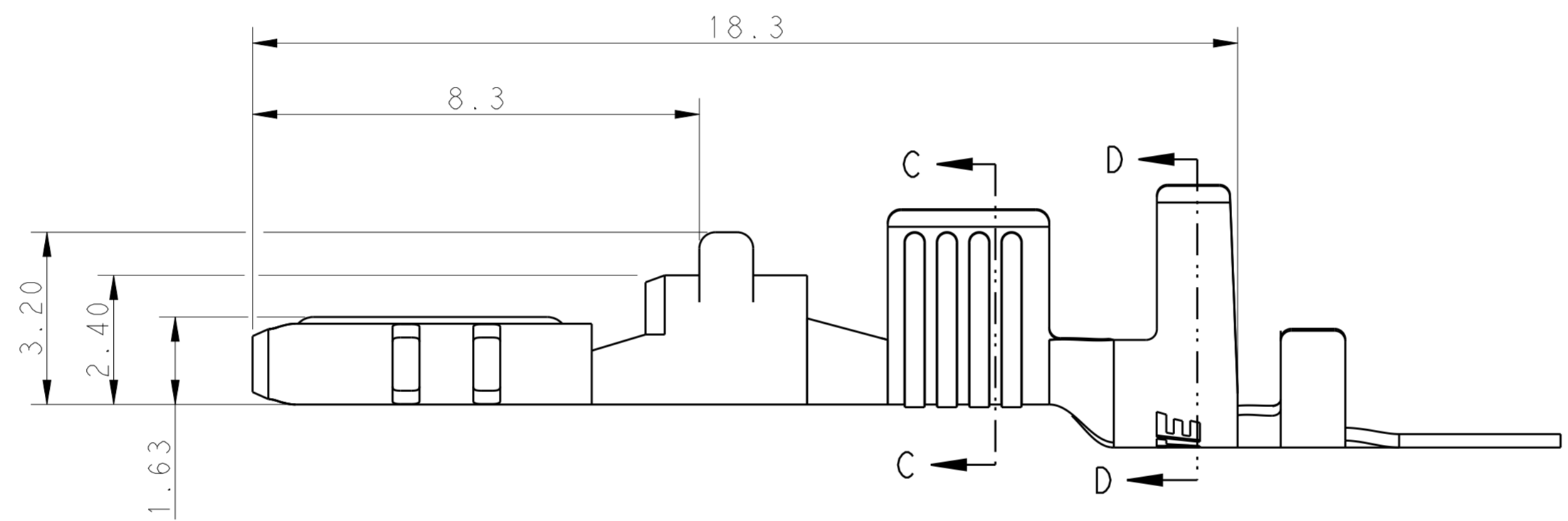
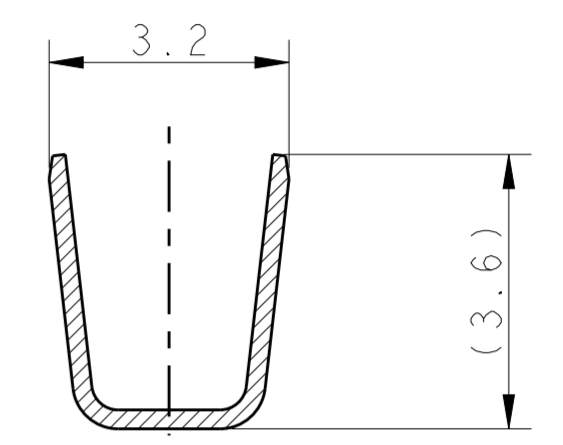
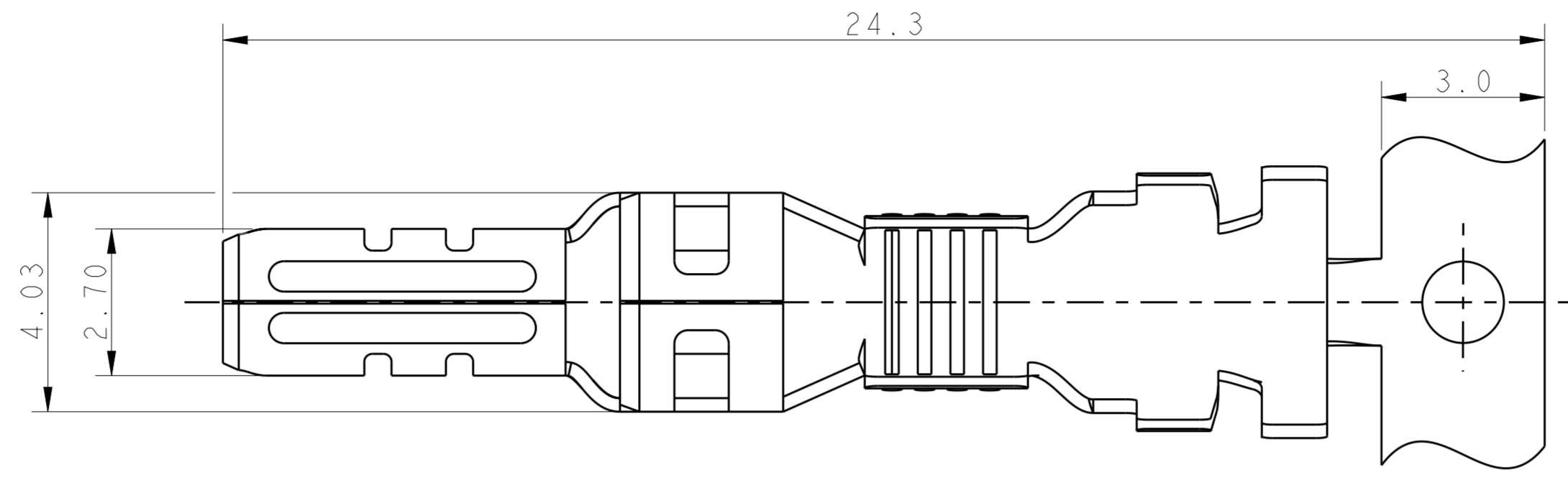
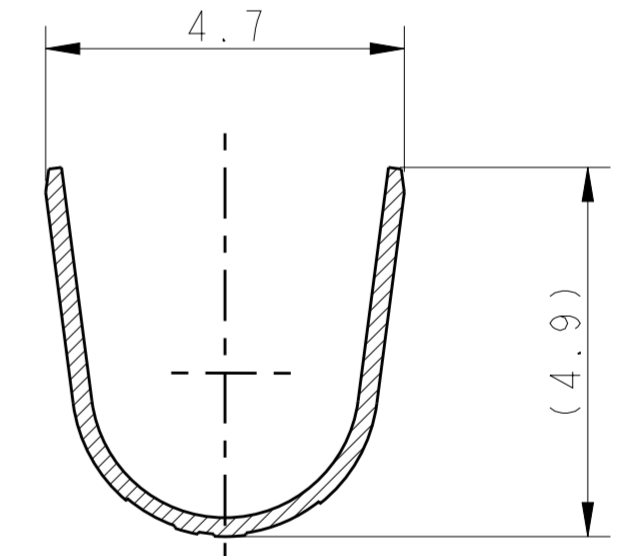


THIS DRAWING IS UNPUBLISHED. RELEASED FOR PUBLICATION 20
 © COPYRIGHT 20 BY - ALL RIGHTS RESERVED.

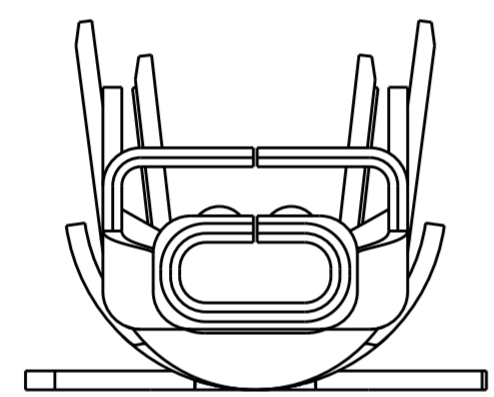
| LOC | DIST | REVISIONS | | | | | |
|-----|------|-----------|-----|---------------------------|-----------|-----|------|
| ES | 00 | P | LTR | DESCRIPTION | DATE | DWN | APVD |
| | | A1 | | REVISED PER ECR-14-000140 | 07JAN2014 | KH | GJ |



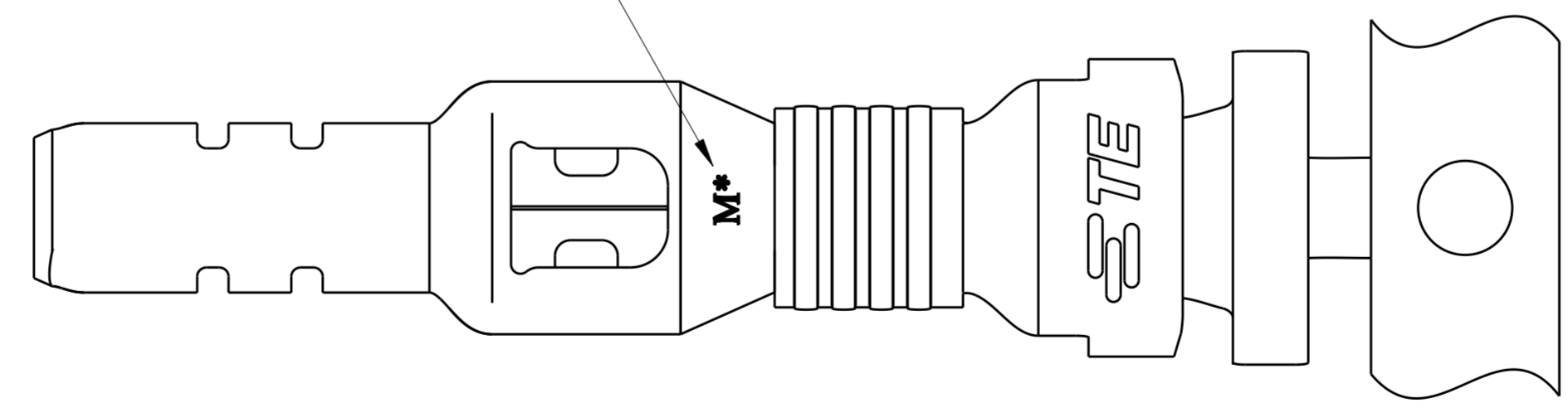
SECTION C-C



SECTION D-D



MATERIAL MARK



- NOTE:
1. MATERIAL: COPPER ALLOY, PRE TIN PLATING
 2. PRODUCT SPEC: 108-106118
 3. APPLICATION SPEC: 114-106118
 4. APPLICABLE MATED CAP HOUSING P/N:
 -1971771-/*-1971774-*/*-1971874-*/
 -1971772-/*-1971775-*/*-1971875-*/
 -2232263-/*-2232264-*/*-2232356-*/
 -2232358-/*-2232359-*/*-2232360-*
 5. APPLICABLE WIRE: 14AWG COPPER
 6. APPLICABLE INSULATION DIAMETER: 3.40~3.70mm

1. This product has not completed validation testing.

| | | |
|-----------------|---------------|-----------|
| HIGH(150°C) | M0 | 1971782-2 |
| STANDARD(105°C) | M8 | 1971782-1 |
| TEMP. RATING | MATERIAL MARK | PART NO |

| | | | | |
|--|-------|------------------------------|--|--|
| THIS DRAWING IS A CONTROLLED DOCUMENT. | | DWN: TOMMY WU 11JUL2011 | STE TE Connectivity | |
| DIMENSIONS: mm | | CHK: HAPYE WU 11JUL2011 | | |
| TOLERANCES UNLESS OTHERWISE SPECIFIED: | | APVD: YUHONG MAO 11JUL2011 | NAME: TAB CONTACT POWER TRIPLE LOCK | |
| 0 PLC | ± | PRODUCT SPEC: 108-106118 | SIZE: A2 CAGE CODE: 100779 DRAWING NO: 1971782 | |
| 1 PLC | ±0.5 | APPLICATION SPEC: 114-106118 | RESTRICTED TO: - | |
| 2 PLC | ±0.30 | WEIGHT: - | SCALE: - SHEET 1 OF 1 REV A1 | |
| 3 PLC | ± | MATERIAL: - | Customer Drawing | |
| 4 PLC | ± | | | |
| ANGLES | ± | | | |
| FINISH | | | | |