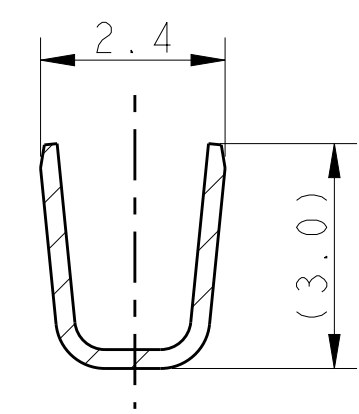
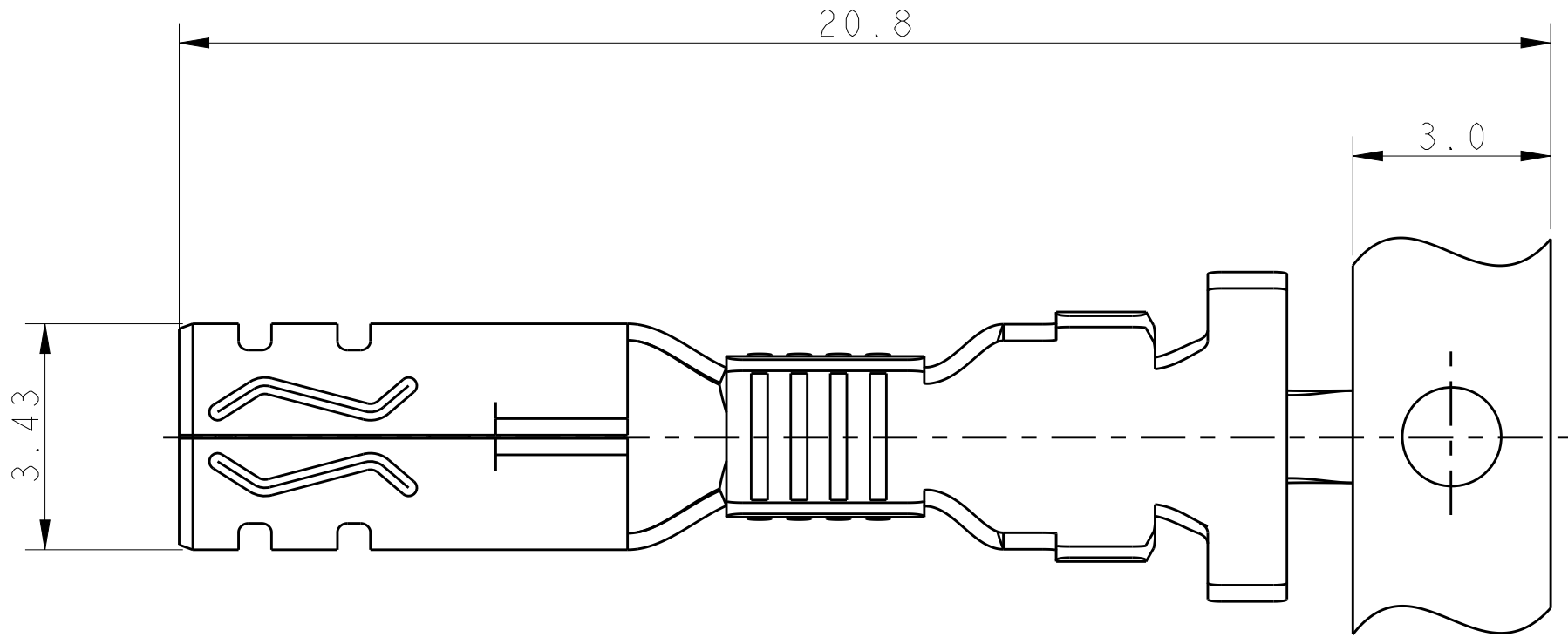
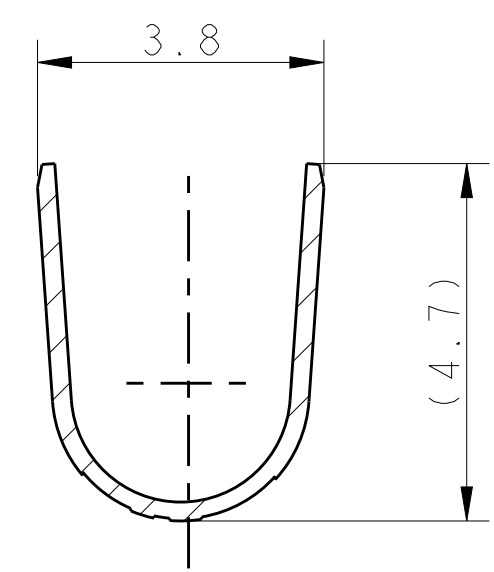
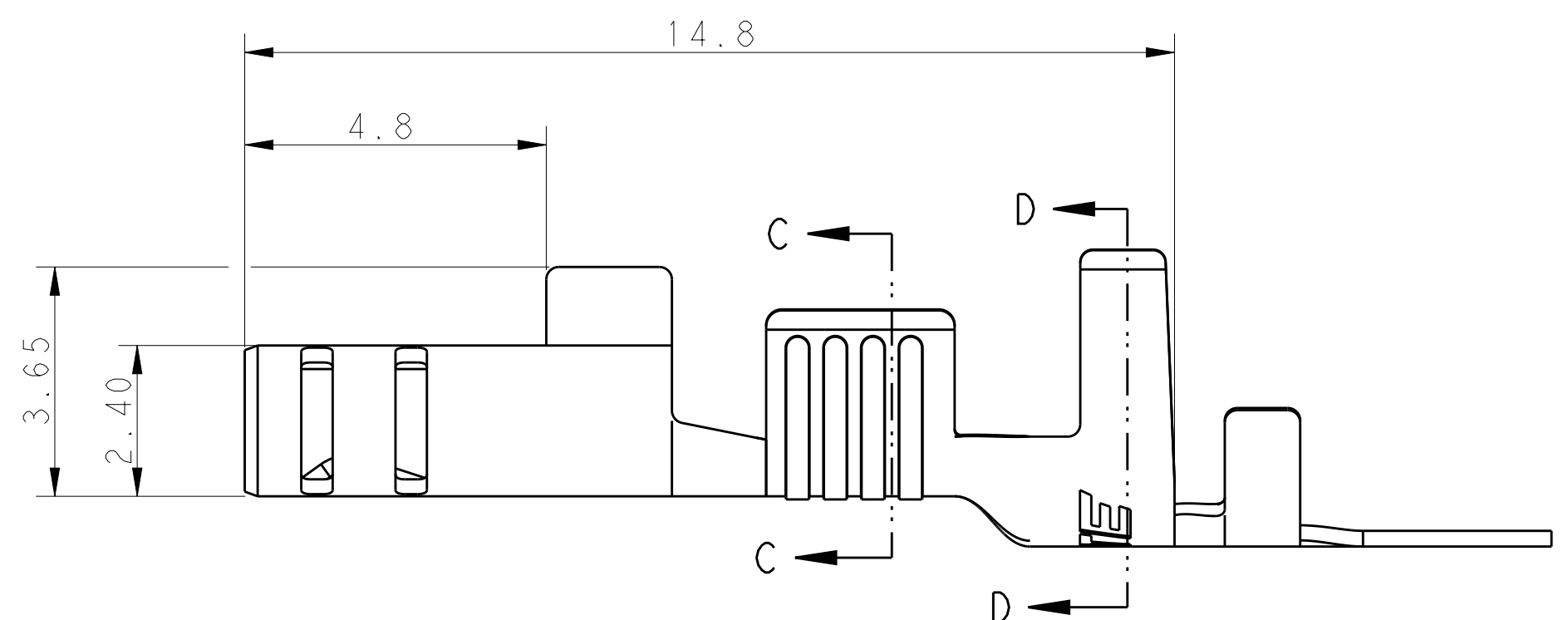


THIS DRAWING IS UNPUBLISHED. RELEASED FOR PUBLICATION 20
 © COPYRIGHT 20 BY - ALL RIGHTS RESERVED.

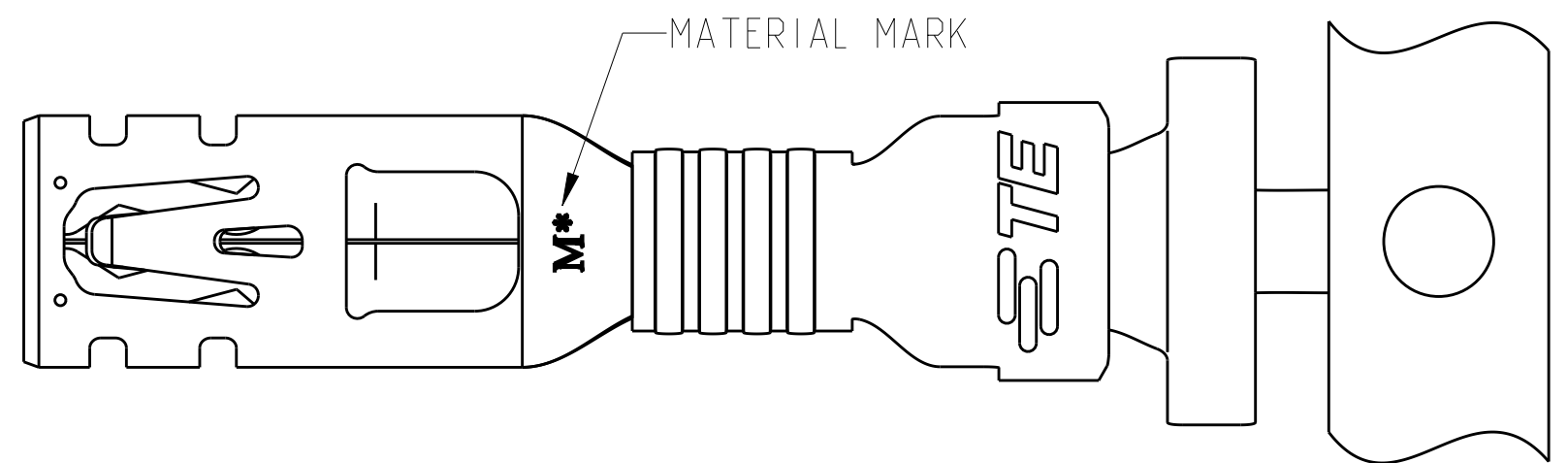
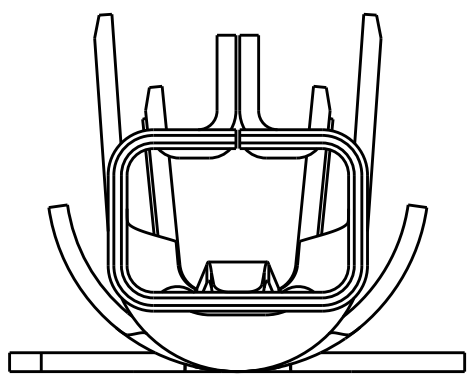
LOC		DIST		REVISIONS			
P	LTR	DESCRIPTION	DATE	DWN	APVD		
ES	00	A1	REVISED PER ECR-14-000140	07JAN2014	KH	GJ	



SECTION C-C



SECTION D-D



- NOTE:
1. MATERIAL: COPPER ALLOY, PRE TIN PLATING
 2. PRODUCT SPEC: 108-106118
 3. APPLICATION SPEC: 114-106118
 4. APPLICABLE MATED PLUG HOUSING P/N:
 -1971773-/*-1971776-*/*-1971876-*/
 -2232265-/*-2232266-*/*-2232357-*
 5. APPLICABLE WIRE RANGE: 16~20AWG COPPER
 6. APPLICABLE INSULATION DIAMETER: 2.40~3.30mm

1. This product has not completed validation testing.

HIGH(150°C)	M0	1971783-2
STANDARD(105°C)	M1	1971783-1
TEMP. RATING	MATERIAL MARK	PART NO

THIS DRAWING IS A CONTROLLED DOCUMENT.

DIMENSIONS:	TOLERANCES UNLESS OTHERWISE SPECIFIED:	DWN	11 JUL 2012
mm	0 PLC ±	CHK	TOMMY WU
	1 PLC ±0.5	CHK	HAPYE WU
	2 PLC ±0.30	APVD	YUHWONG MAO
	3 PLC ±	PRODUCT SPEC	108-106118
	4 PLC ±	APPLICATION SPEC	114-106118
MATERIAL	FINISH	WEIGHT	-
-	-	Customer Drawing	-

STE		TE Connectivity	
RECEPTACLE CONTACT POWER TRIPLE LOCK			
SIZE	CAGE CODE	DRAWING NO	RESTRICTED TO
A2	100779	C-1971783	-
SCALE	SHEET	OF	REV
-	1	1	A1