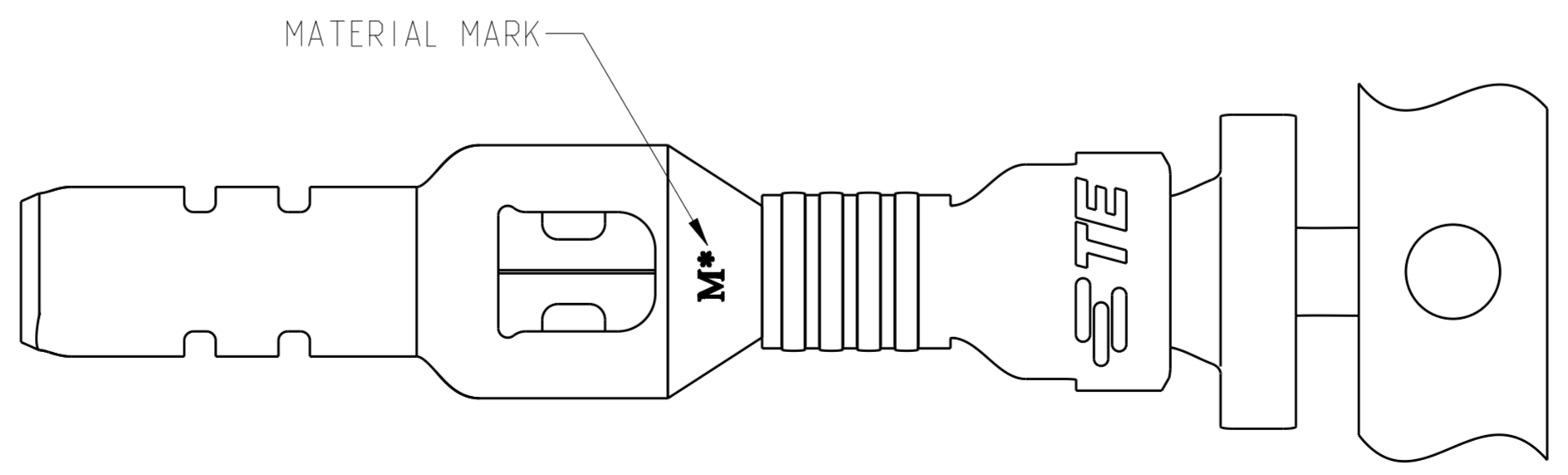
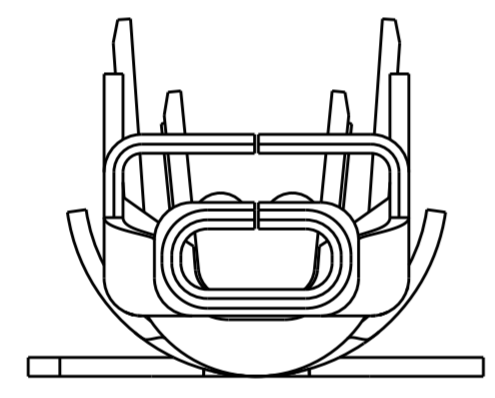
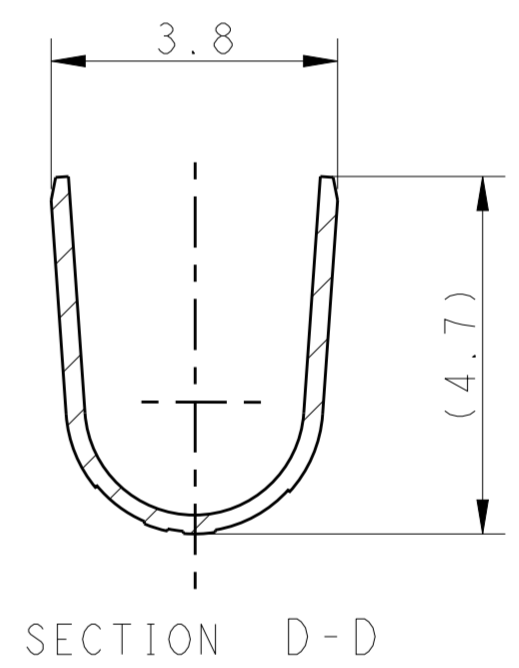
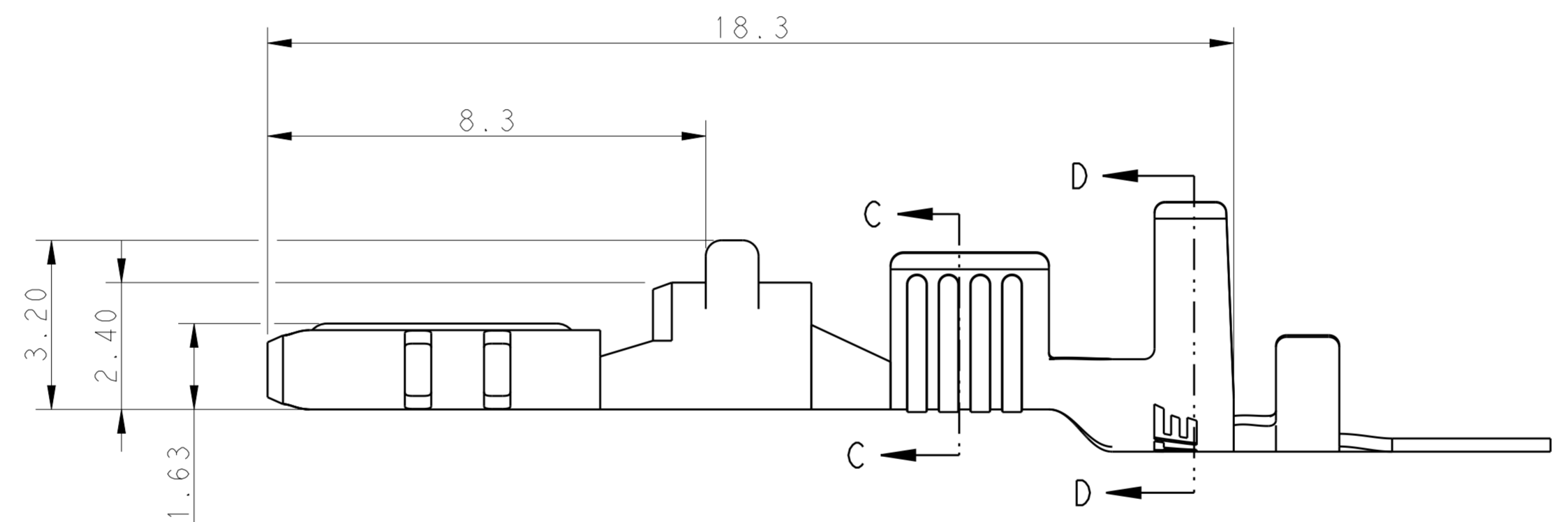
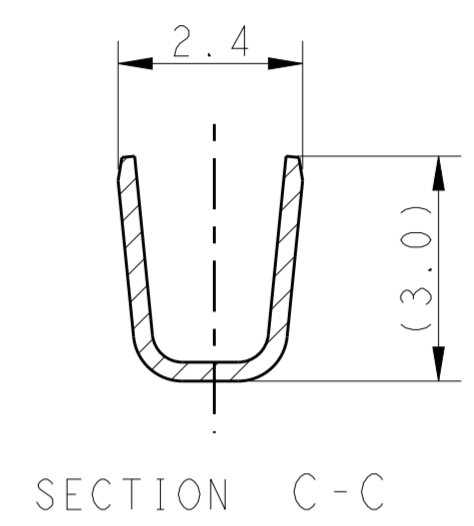
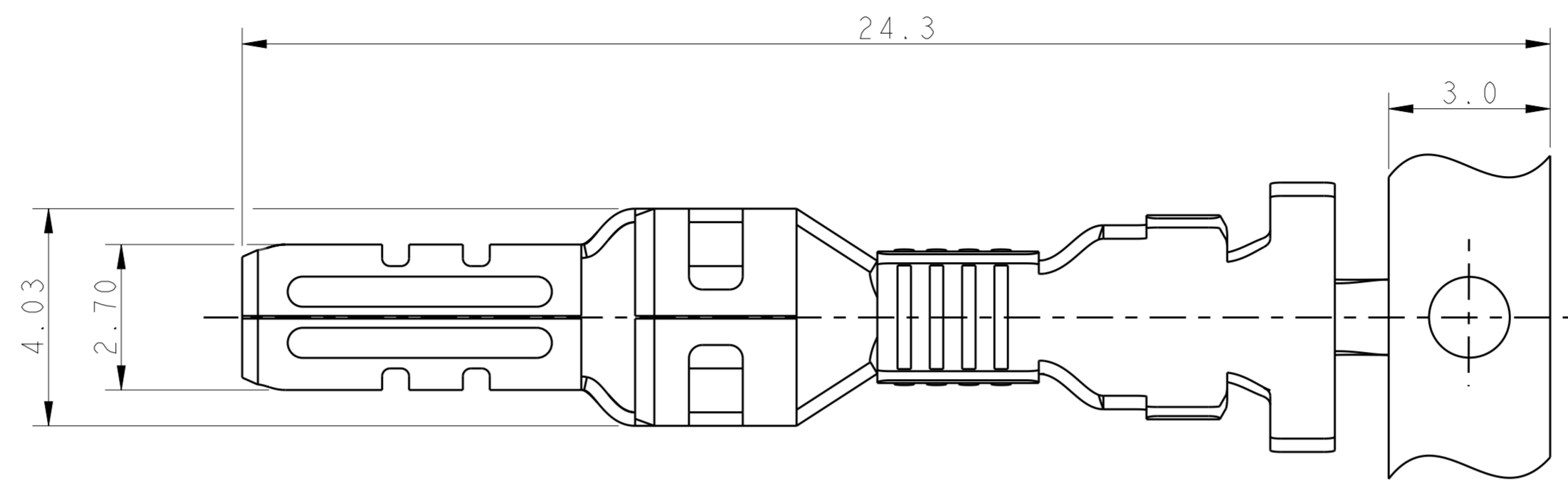


THIS DRAWING IS UNPUBLISHED. RELEASED FOR PUBLICATION 20
 © COPYRIGHT 20 BY - ALL RIGHTS RESERVED.

LOC		DIST		REVISIONS			
P	LTR	DESCRIPTION	DATE	DWN	APVD		
ES	00	A1	07JAN2014	KH	GJ	REVISED PER ECR-14-000140	



- NOTE:
1. MATERIAL: COPPER ALLOY, PRE TIN PLATING
 2. PRODUCT SPEC: 108-106118
 3. APPLICATION SPEC: 114-106118
 4. APPLICABLE MATED CAP HOUSING P/N:
 - *-1971771-*/*-1971774-*/*-1971874-*
 - *-1971772-*/*-1971775-*/*-1971875-*
 - *-2232263-*/*-2232264-*/*-2232356-*
 - *-2232358-*/*-2232359-*/*-2232360-*
 5. APPLICABLE WIRE RANGE: 16~20AWG COPPER
 6. APPLICABLE INSULATION DIAMETER: 2.40~3.30mm

1. This product has not completed validation testing.

HIGH(150°C)	M0	1971784-2
STANDARD(105°C)	M8	1971784-1
TEMP. RATING	MATERIAL MARK	PART NO

THIS DRAWING IS A CONTROLLED DOCUMENT.		DWN TOMMY WU 11JUL2011	STE TE Connectivity	
DIMENSIONS: mm		CHK HAPYE WU 11JUL2011		
TOLERANCES UNLESS OTHERWISE SPECIFIED:		APVD YUHONG MAO 11JUL2011	NAME TAB CONTACT POWER TRIPLE LOCK	
0 PLC ±	1 PLC ±0.5	PRODUCT SPEC 108-106118	SIZE A2	CAGE CODE 00779
2 PLC ±0.30	3 PLC ±	APPLICATION SPEC 114-106118	DRAWING NO C-1971784	RESTRICTED TO -
4 PLC ±	ANGLES ±	WEIGHT -	SCALE -	SHEET 1 OF 1
MATERIAL -	FINISH -	Customer Drawing	REV A1	