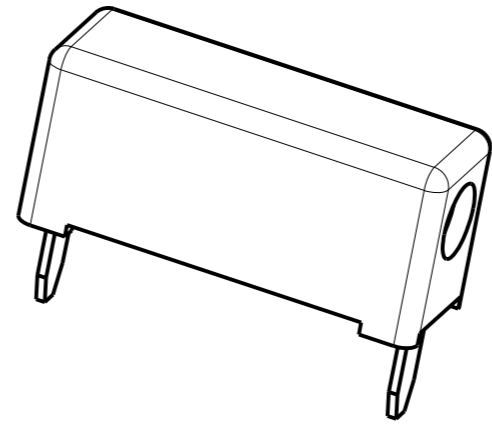
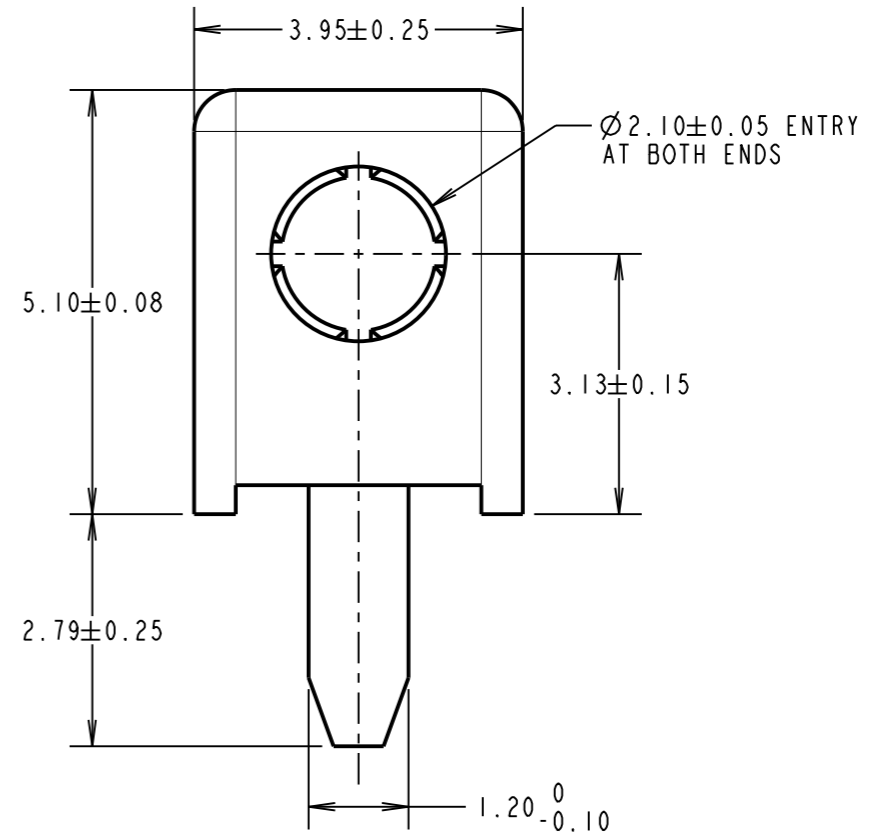
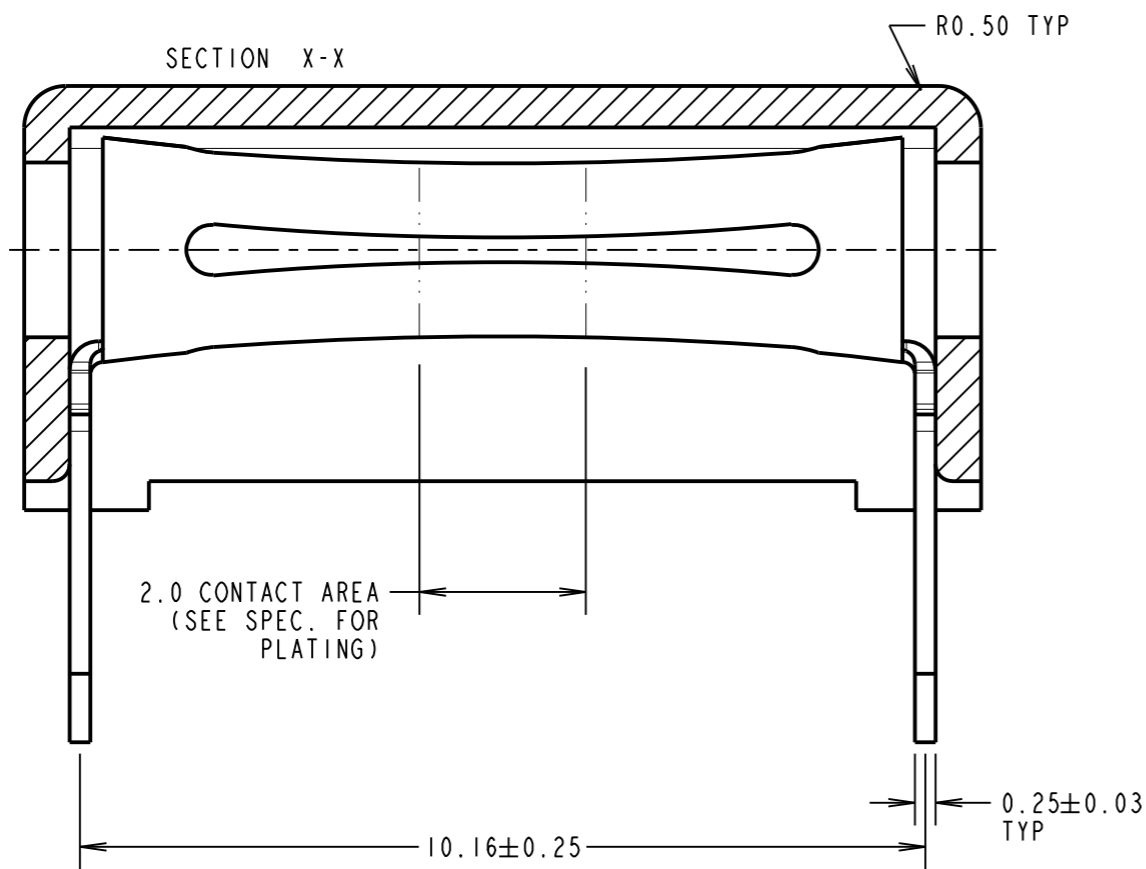
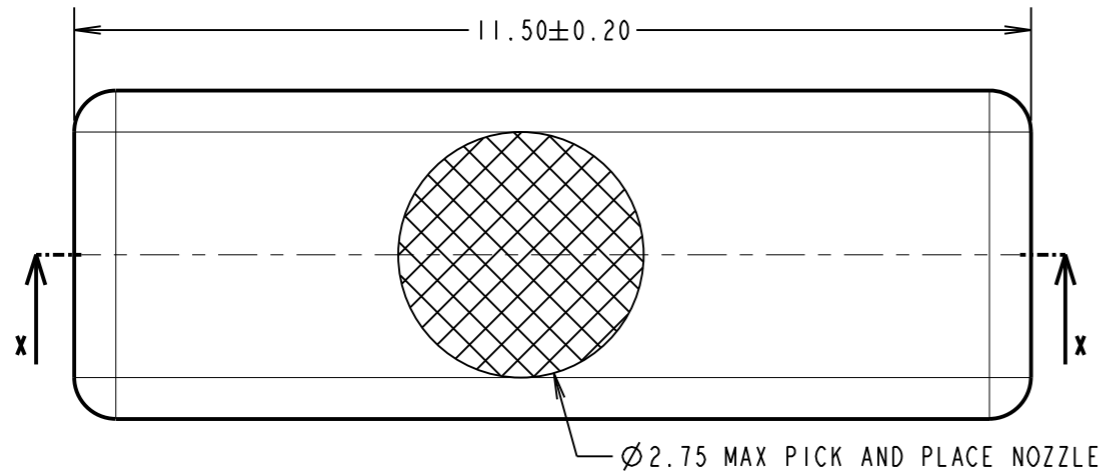


Customer Information Sheet


DRAWING No.: M3498-XX SHEET 2 OF 2 IF IN DOUBT - ASK © NOT TO SCALE THIRD ANGLE PROJECTION ALL DIMENSIONS IN mm



SPECIFICATION:
MATERIALS:
 INSULATOR = PA9T, HIGH TEMPERATURE THERMOPLASTIC, UL94V-0, BLACK
 CONTACT = PHOSPHOR BRONZE
FINISH:
 CONTACT = 1.00µ - 3.05µ NICKEL ALL OVER, 0.254µ GOLD ON CONTACT AREA, GOLD FLASH ON TAILS.
ELECTRICAL:
 CURRENT RATING = 5A
 VOLTAGE RATING = 1,500V AC/DC
 INSULATION RESISTANCE = 1000MΩ MIN
 CONTACT RESISTANCE = 5mΩ MAX
MECHANICAL:
 INSERTION FORCE = 22.2N MAX (Ø2.03mm PROBE)
 WITHDRAWAL FORCE = 2.2N MIN (Ø2.03mm PROBE)
 DURABILITY = 100 CYCLES
ENVIRONMENTAL:
 OPERATING TEMPERATURE = -40°C TO +105°C
PACKAGING:
 TUBE

ORDER CODE:
M3498-XX
 MOULD COLOUR: _____
 WHITE = 94
 BLACK = 98
 RED = 99

| | | | |
|----------------|------|-----------|--------|
| SB | 4 | 10.01.14 | 12324 |
| NAME | ISS. | DATE | C/NOTE |
| APPROVED: | | S.BENNETT | |
| CHECKED: | | M.PLESTED | |
| DRAWN: | | S.BENNETT | |
| CUSTOMER REF.: | | | |
| ASSEMBLY DRG: | | | |

| | | | | |
|---|---|--|------------------------------------|-----------------------------|
|  www.harwin.com technical@harwin.com | THIS DRAWING AND ANY INFORMATION OR DESCRIPTIVE MATTER SET OUT HEREON ARE CONFIDENTIAL AND COPYRIGHT PROPERTY OF THE HARWIN GROUP AND MUST NOT BE DISCLOSED, LOANED, COPIED OR USED FOR MANUFACTURING, TENDERING OR FOR ANY OTHER PURPOSE WITHOUT THEIR WRITTEN PERMISSION. | TOLERANCES X. = ±1mm X.X = ±0.25mm X.XX = ±0.10mm X.XXX = ±0.01mm ANGLES = ±5° UNLESS STATED | MATERIAL: SEE ABOVE | TITLE: PC TAIL TEST JACK |
| | | FINISH: SEE ABOVE S/AREA: mm ² | DRAWING NUMBER: M3498-XX | SHT 2 OF 2 |