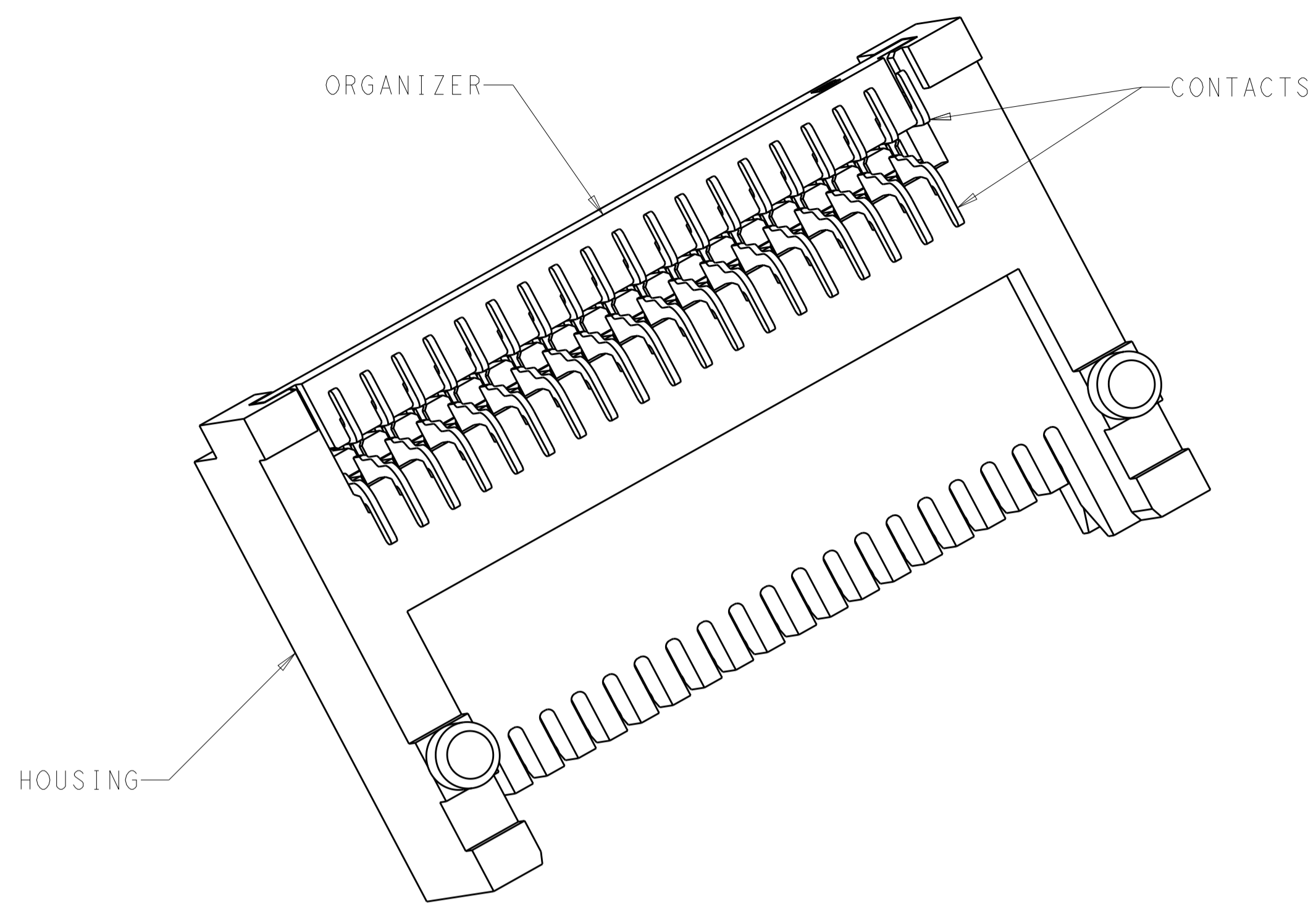
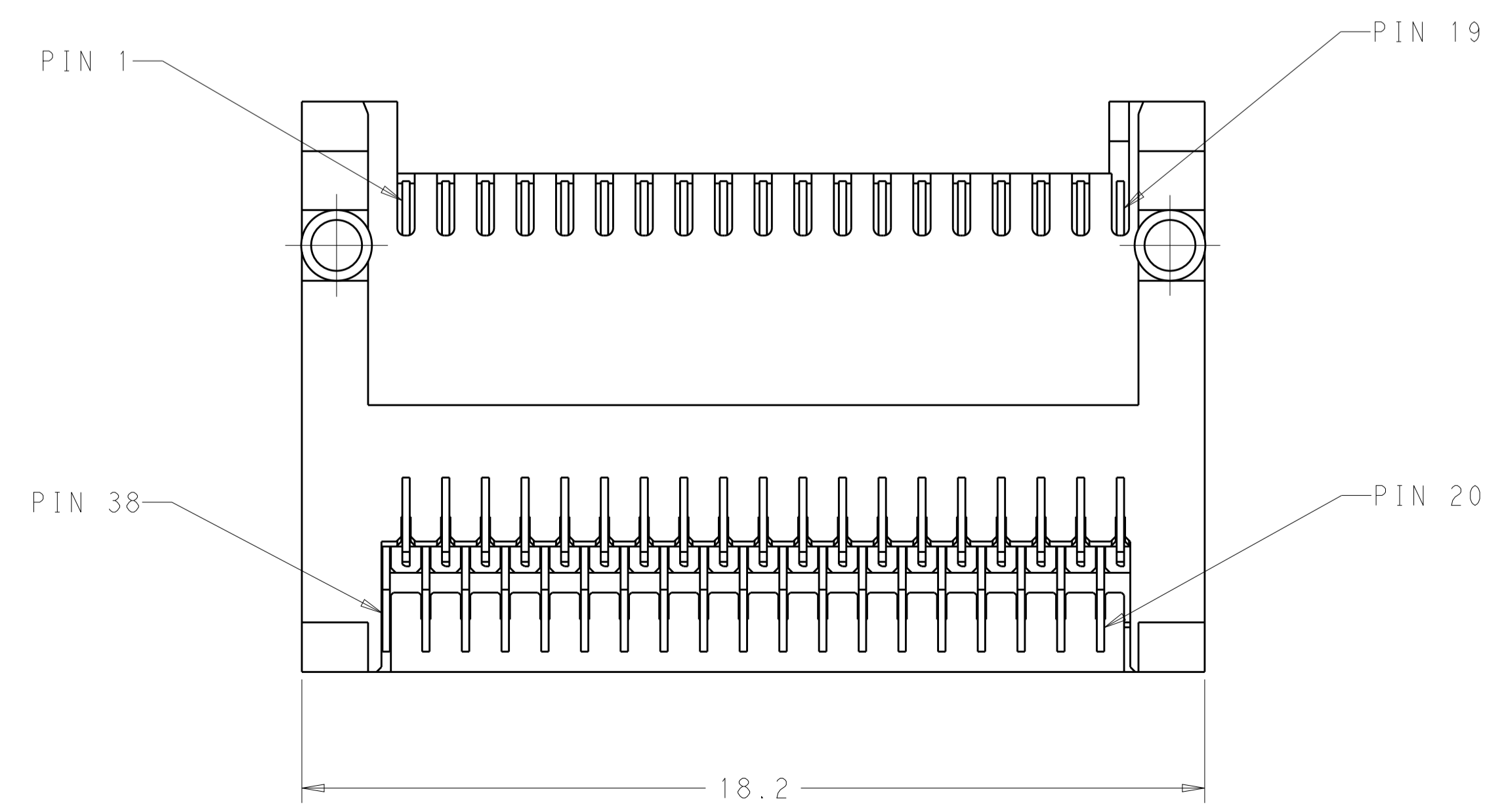
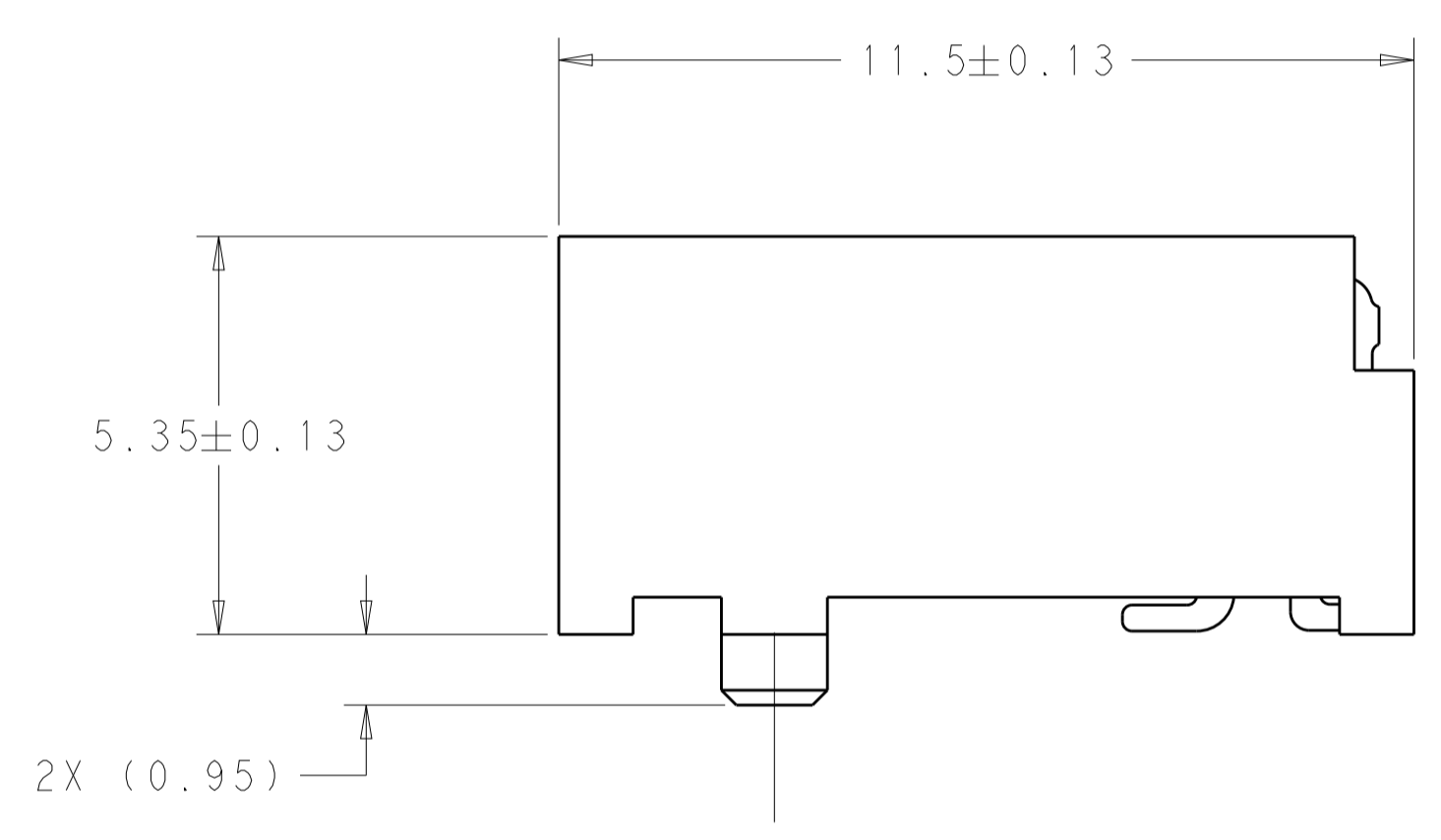
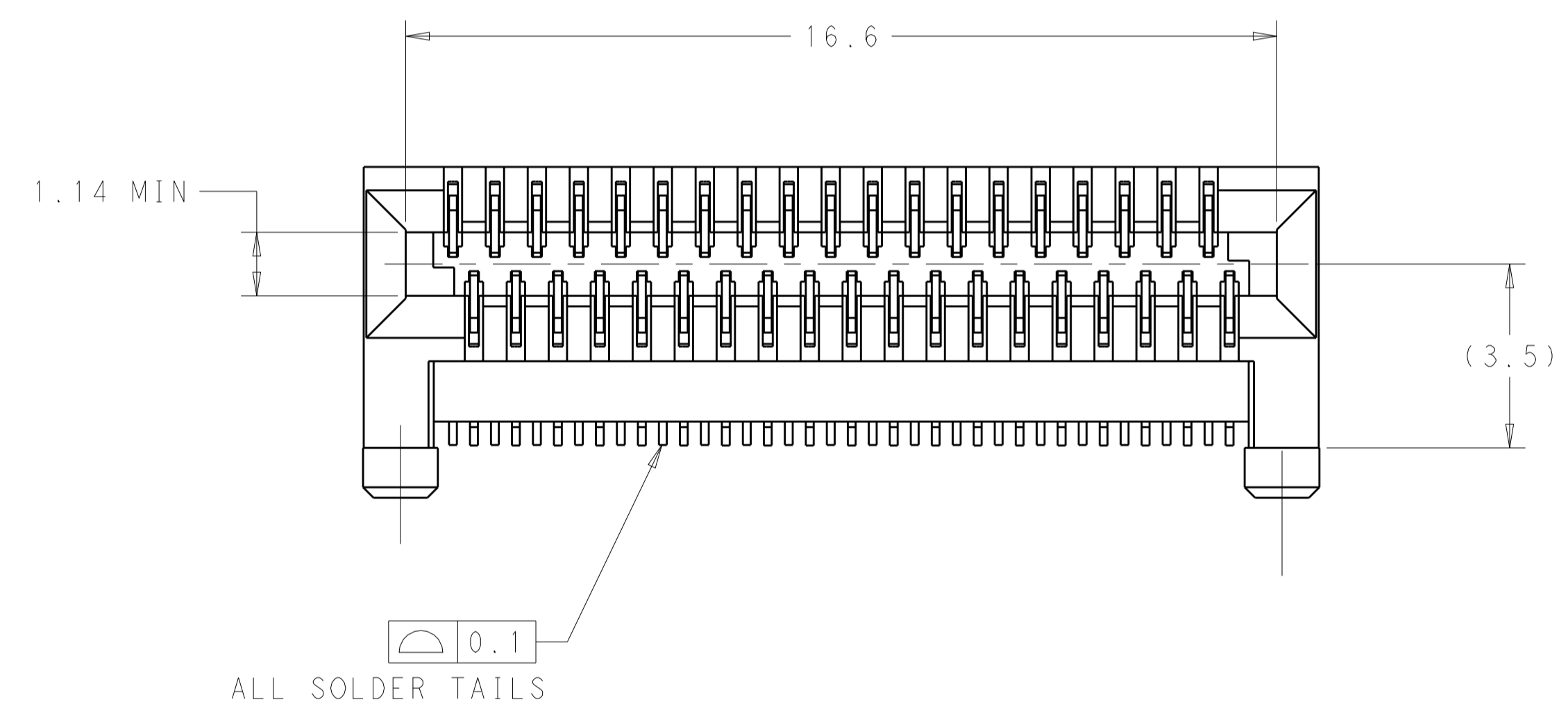


| LOC | DIST | REVISIONS |     |                            |           |     |      |
|-----|------|-----------|-----|----------------------------|-----------|-----|------|
| GP  | 00   | P         | LTN | DESCRIPTION                | DATE      | DWN | APVD |
|     |      | D         |     | RELEASED PER ECO-12-014574 | 08AUG2012 | DZ  | JY   |
|     |      | E         |     | PER ECR-12-015568          | 03SEP2012 | DZ  | JY   |
|     |      | F         |     | RELEASED PER ECO-13-010325 | 19JUN2013 | RG  | AC   |



- ⚠ MATERIAL: HOUSING AND ORGANIZER: LCP, UL94V-0 RATED, BLACK.  
CONTACTS: COPPER ALLOY, 0.15 THICK.
- ⚠ FINISH: CONTACTS: CONFORMS TO THE REQUIREMENTS OF TYCO ELECTRONICS PRODUCT SPECIFICATION 108-2425, BASED ON EIA/ECA-364-1000.01A, (CONTROLLED ENVIRONMENT APPLICATIONS) ON MATING INTERFACE.  
TIN ON SOLDER TAILS
- 3. MATES WITH SFF-8436 COMPLIANT MODULES.
- ⚠ DATUM AND BASIC DIMENSION ESTABLISHED BY CUSTOMER.
- 5. DATUM R IS THE TOP SURFACE OF THE HOST PC BOARD.
- 6. THIS PRODUCT HAS NOT COMPLETED QUALIFICATION TESTING.

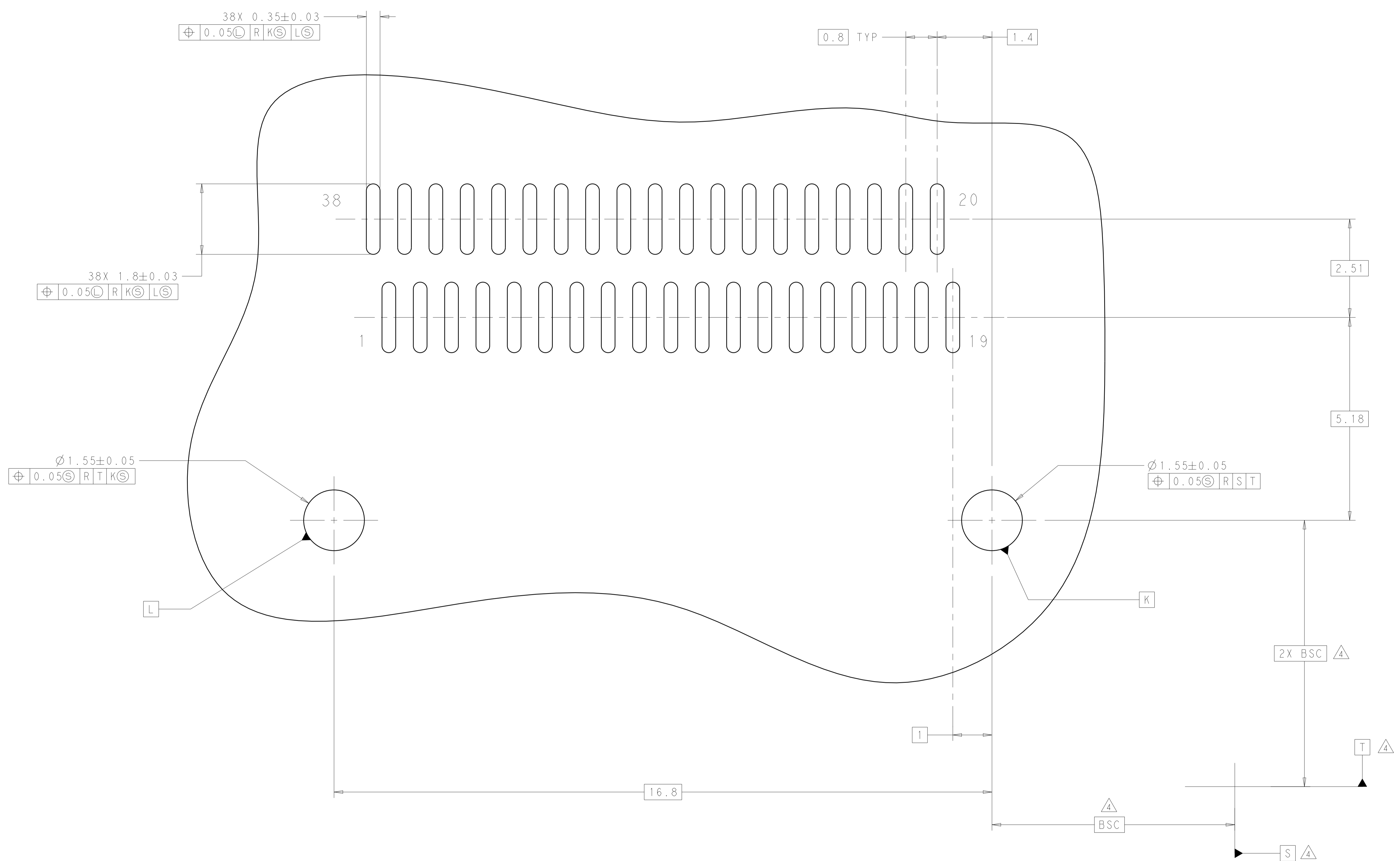


|        |             |
|--------|-------------|
| ⚠      | 2110819-1   |
| FINISH | PART NUMBER |

THIS DRAWING IS A CONTROLLED DOCUMENT.

|             |  |                            |   |
|-------------|--|----------------------------|---|
| DIMENSIONS: | TOLERANCES UNLESS OTHERWISE SPECIFIED: | DWN C. VALENTINE 27OCT2009 | NAME  |
| mm          | 0 PLC ±                                | CHK J. PETERSON 27OCT2009  | OSFP+ ENHANCED EVERCLEAR, PT CONNECTOR, RIGHT ANGLE |
|             | 1 PLC ±0.15                            | APVD J. PETERSON 27OCT2009 | 108-2425  |
|             | 2 PLC ±0.10                            | PRODUCT SPEC               | APPLICATION SPEC                                    |
|             | 3 PLC ±                                | 114-13221                  | 114-13221   |
|             | 4 PLC ±                                | WEIGHT                     | Customer Drawing                                    |
|             | ANGLES ±                               | SCALE 10:1                 | SHEET 1 OF 2  |
| MATERIAL    | FINISH                                 | SIZE A100779               | DRAWING NO C=2110819                                |
| ⚠           | ⚠                                      | RESTRICTED TO              | REV F   |

| LOC | DIST | REVISIONS   |      |     |      |
|-----|------|-------------|------|-----|------|
| P   | LTN  | DESCRIPTION | DATE | DMN | APVD |
| -   | -    | SEE SHEET 1 | -    | -   | -    |
|     |      |             |      |     |      |
|     |      |             |      |     |      |



SCALE 20:1

|   |  |                                   |  |
|---|--|-----------------------------------|--|
| THIS DRAWING IS A CONTROLLED DOCUMENT.  |  | DMN<br>C. VALENTINI<br>2/OCT/2009 | <br>TE Connectivity  |
| DIMENSIONS:<br>mm   |  | CHK<br>J. PETERSON<br>2/OCT/2009  |  |
| TOLERANCES UNLESS OTHERWISE SPECIFIED:<br>0 PLC ±0.1<br>2 PLC ±0.1<br>3 PLC ±0.1<br>4 PLC ±0.1<br>ANGLES ±0.1 |  | APVD<br>J. PETERSON<br>2/OCT/2009 | NAME<br>OSFP+ ENHANCED EVERCLEAR,<br>PT CONNECTOR, RIGHT ANGLE |
| MATERIAL  |  | PRODUCT SPEC<br>108-2425          | SIZE<br>A100779C=2110819                                       |
| FINISH  |  | APPLICATION SPEC<br>114-13221     | RESTRICTED TO  |
| Customer Drawing  |  | WEIGHT                            | SCALE 10:1 SHEET 2 OF 2 REV F                                  |