



DOUGHTY ENGINEERING LTD

DATA SHEET

TITLE: TOUGHBOX WITH 8 x DMX CUT-OUTS

PART NOS:
T78230

MATERIAL:
MILD STEEL

WEIGHT:

SWL:
N/A

FINISH:
SATIN BLACK POWDER PAINT

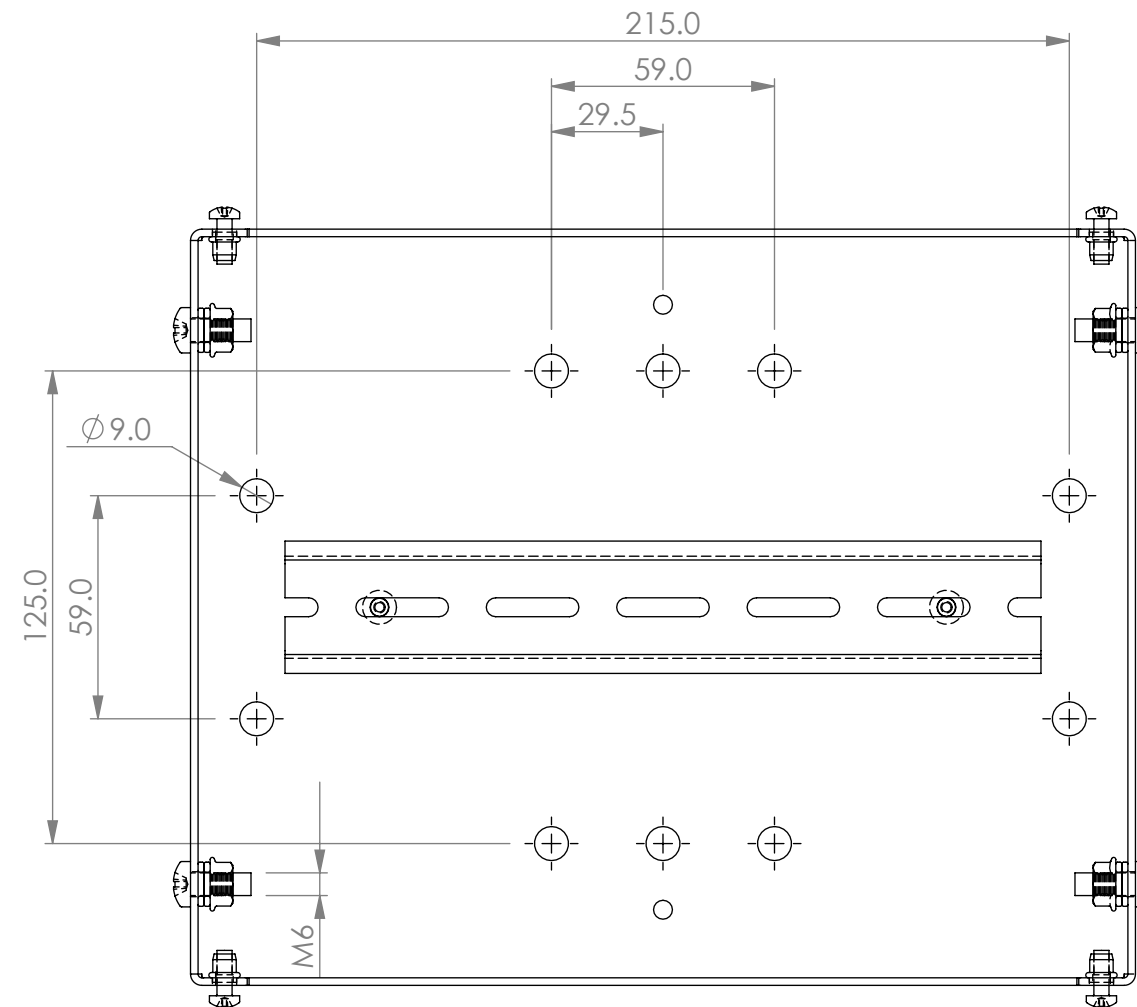
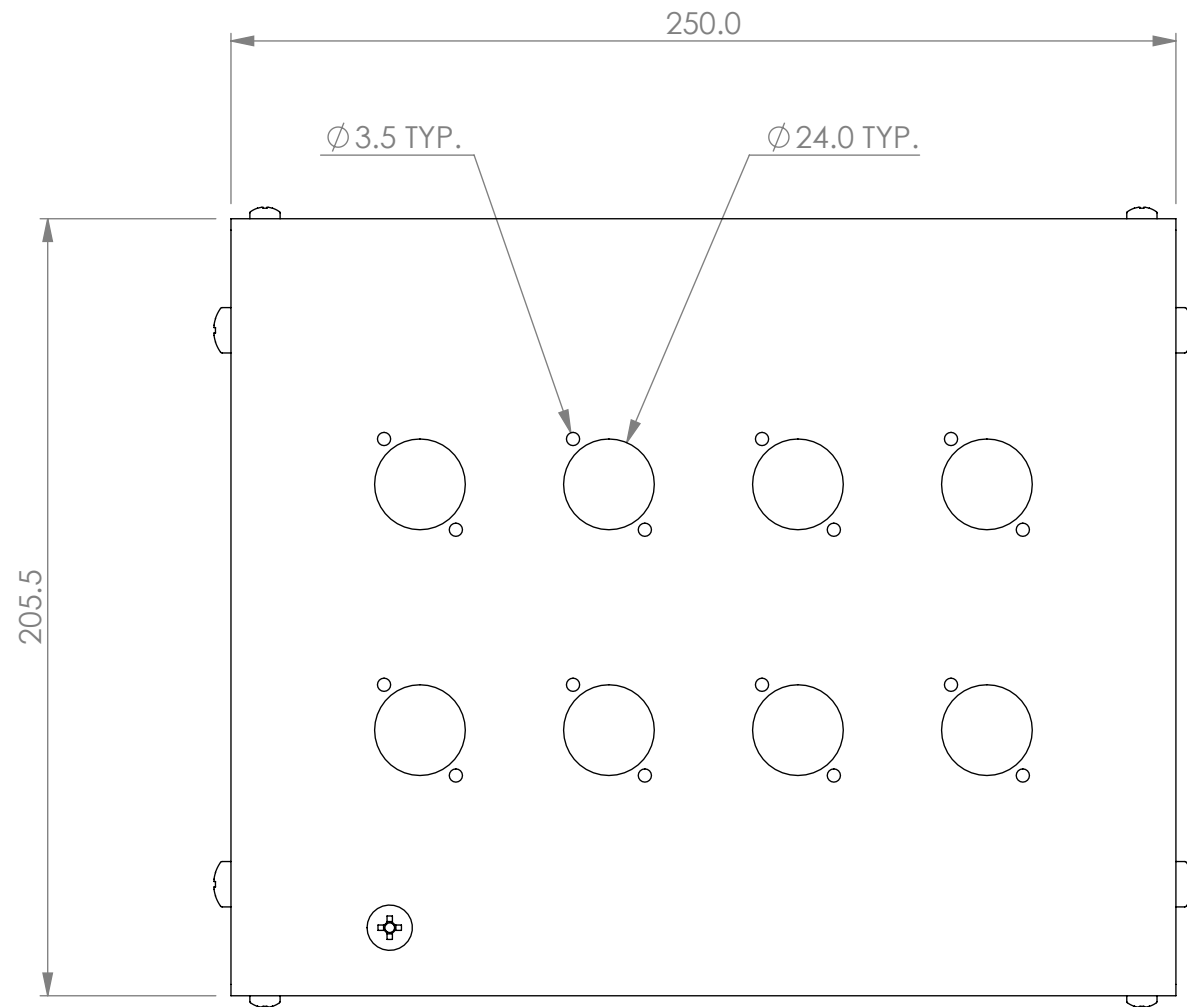
NOTES:

OTHER VARIANTS AVAILABLE

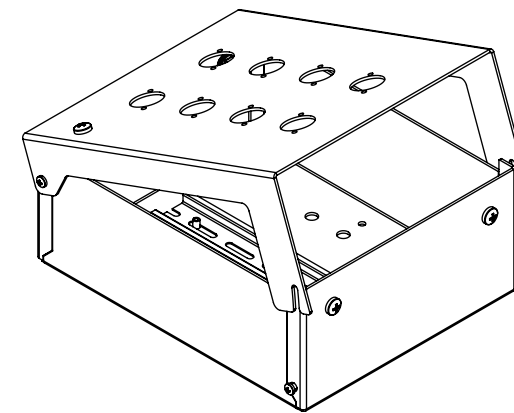
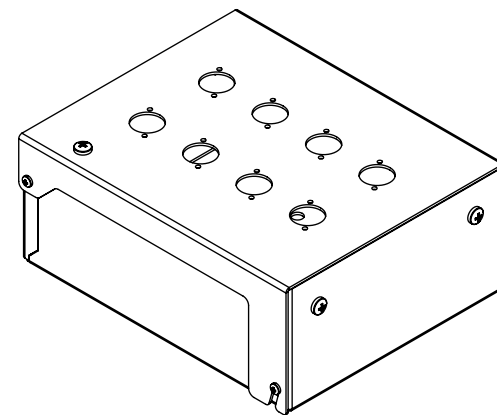
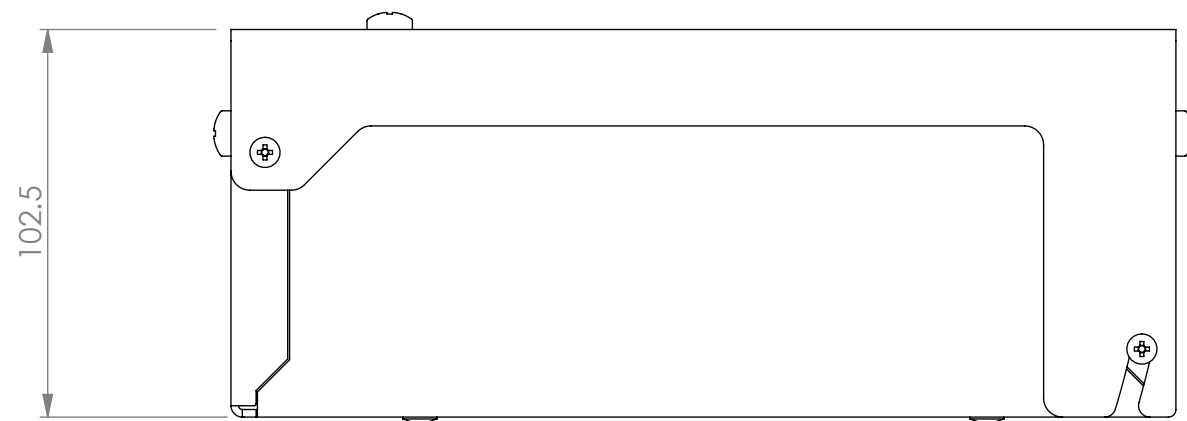
STRICTLY FOR REFERENCE PURPOSES ONLY

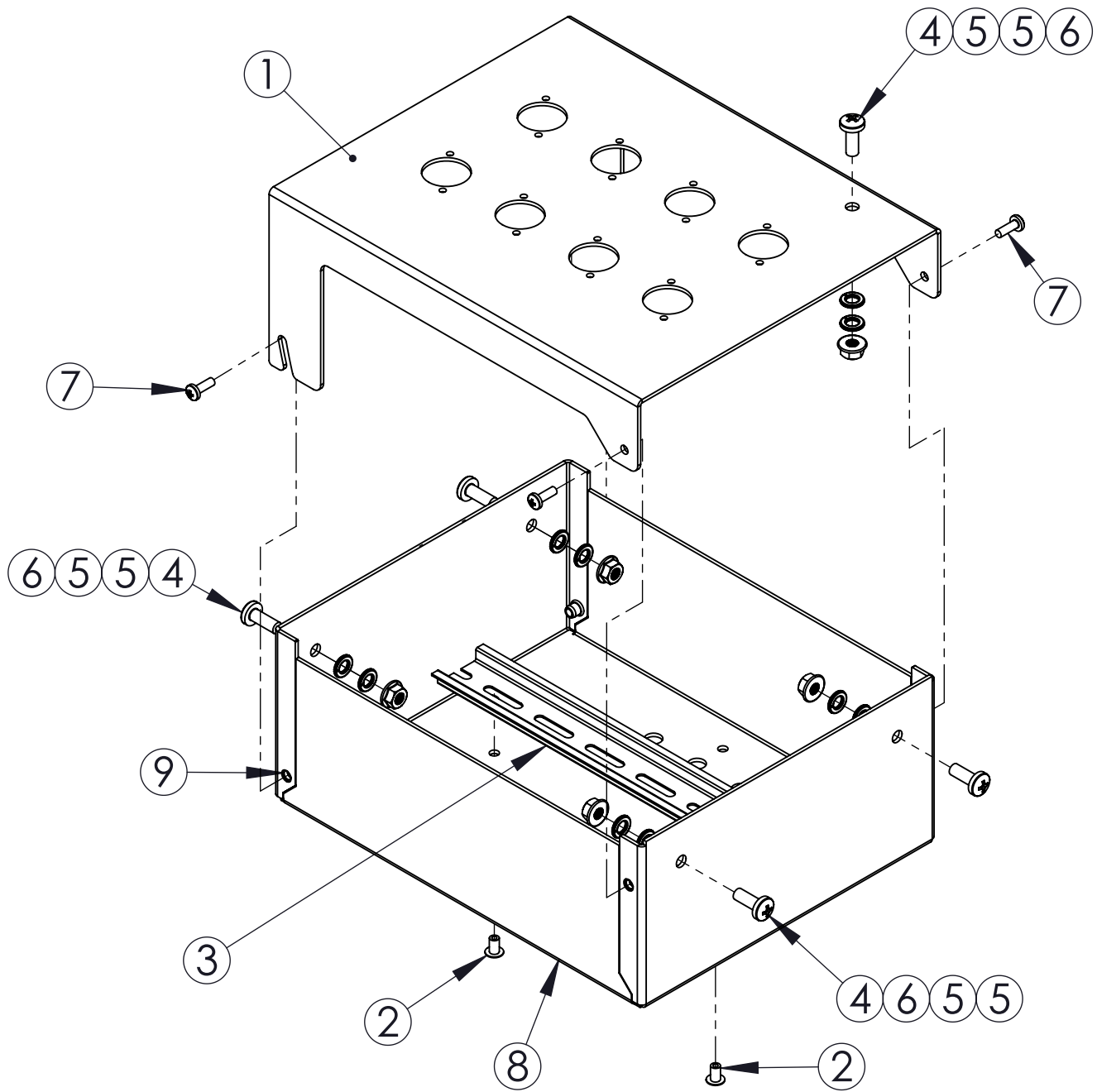


THIRD ANGLE PROJECTION



LID REMOVED





ITEM NO.	PART NUMBER	DESCRIPTION	QTY
1	T78220	ENCLOSURE LID WITH 8 X DMX CUT-OUTS	1
2	F2005	4.8 X 8 ALUMINIUM RIVET	2
3	TH2400	35MM DIN RAIL 200MM LG	1
4	F592	M6 X 16 SCREW PAN HD POZI ZINC & B	5
5	F900	M6 SPRING WASHER BZP	10
6	F598	M6 FLANGED NUT BZP	5
7	F731	SCREW M4 X 12 PAN HD POZI ZINC & B	4
8	T78200	TERMINAL BOX BODY	1
9	F3008	RIV-NUT M4	4

T78230

TOUGHBOX WITH 8 x DMX CUT-OUTS



NOT TO SCALE

DRAWN

AW

DATE

06/11/2013

Rev

2