

CUSTOMER

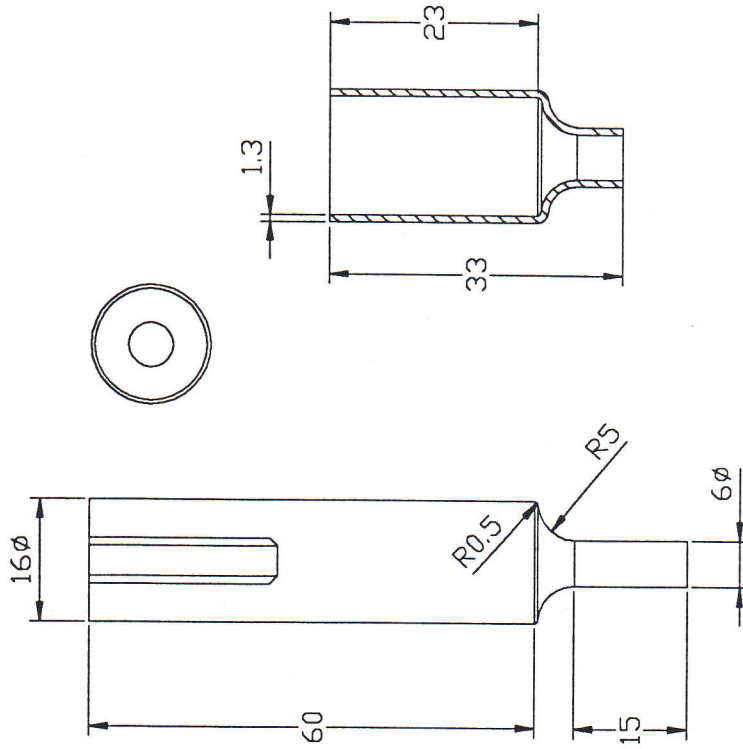
MH CONNECTORS LTD

P/NO.

DIP-IMI3A-BK

SCRIBE 28 TOOLS  
FROM MASS WITH  
DIP LINE

TOOL:  
MACHINED ALUMINIUM



General tolerance unless otherwise stated

TITLE

16mm Dia SHROUD  
50 SHORE BLK

TOOL

Linear +or- 0.25  
Diameter +or- 0.2  
Concentricity +or- 0.2  
Angular +or- 0.5 Degrees  
REMOVE ALL BURRS & SHARP CORNERS TO:  
MIN 1.0 45 DEGREES  
MIN 2.0 RADIUS

MOULDING

WALL THICKNESS - 0.5 + 1.0  
AT DIP LINE  
DIPPED LENGTH + or - 1.5  
TRIMMED LENGTH - 0.5 + 1.5

PROD ISS 1 DC09/10/97

DESIGNATION

APPROVED

CPL\_REF:

151-744

The contents of this drawing must not be used for any purpose without prior written permission from the owners.



138