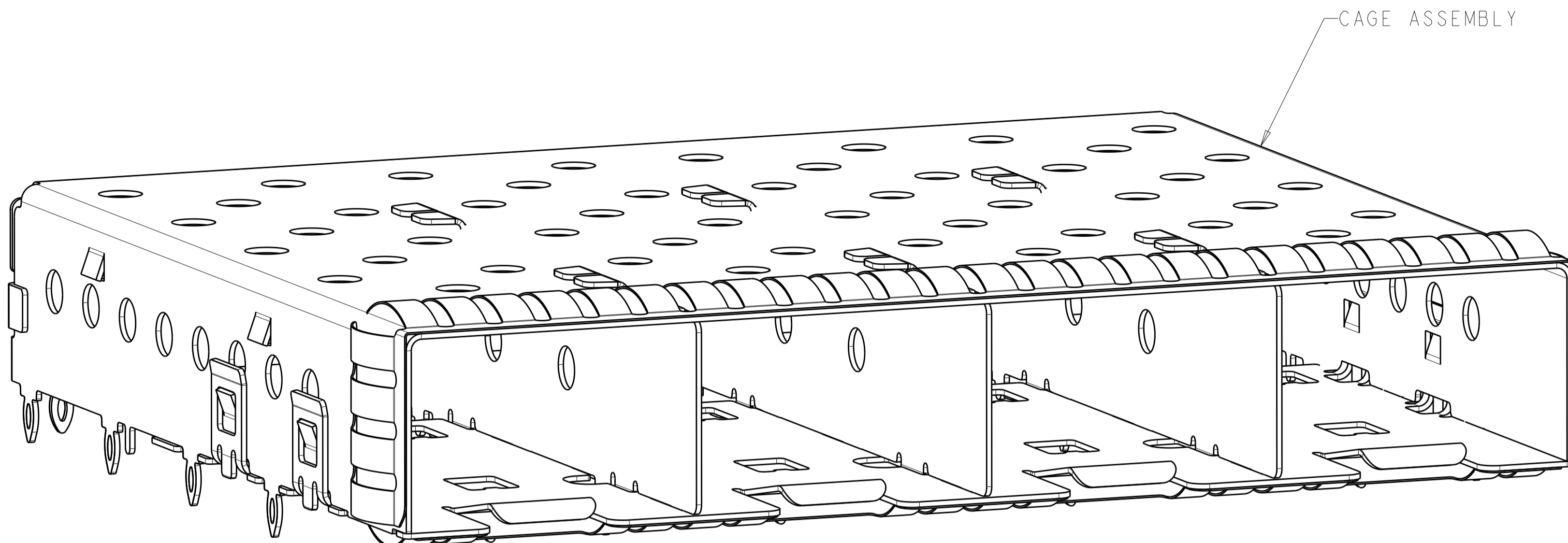
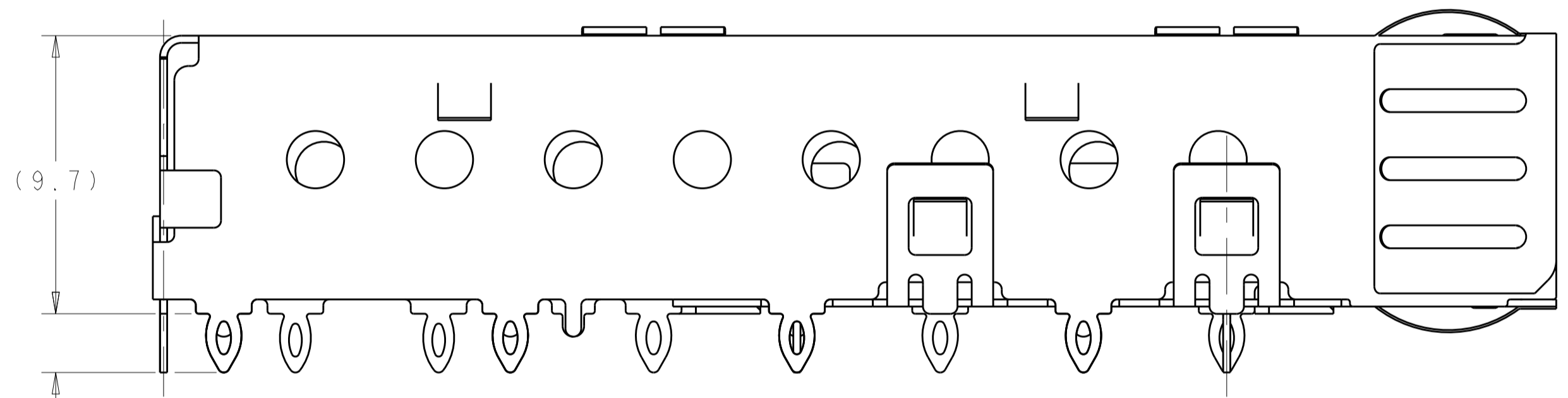


LOC	DIST	REVISIONS					
GP	00	P	LTN	DESCRIPTION	DATE	DWN	APVD
		B		REVISED PER ECO-09-022874	19OCT2009	CR	MS
		C		REVISED PER ECO-11-024172	07DEC2011	TX	AC
		D		REVISED PER ECO-12-014021	29NOV2012	TD	AC
		D1		REVISED PER ECO-14-000741	16JAN2014	PP	SH

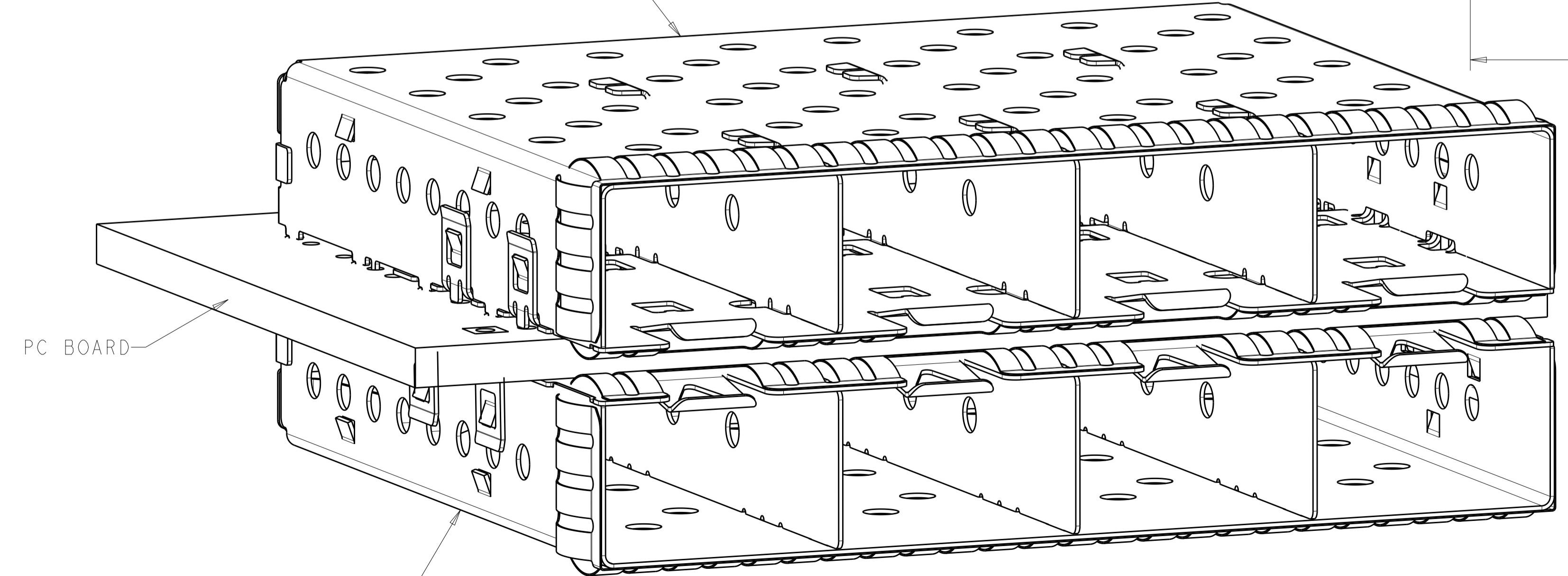
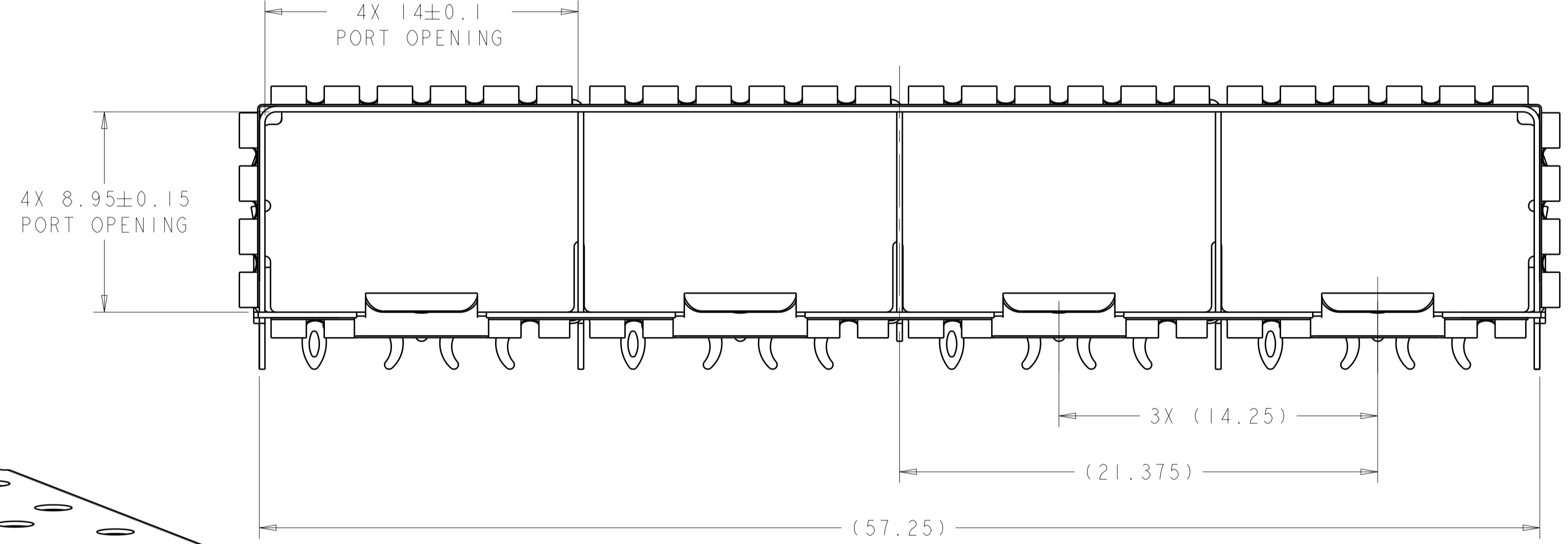


2007132-1 FINISHED ASSEMBLY

- 1. MATERIAL: CAGE ASSEMBLY: 0.25mm THICK NICKEL SILVER ALLOY. EMI SPRINGS: COPPER ALLOY
- 2. FINISH  
SPRINGS: MINIMUM OF 0.8um MATTE TIN PLATED OVER A MINIMUM OF 0.8um NICKEL UNDERPLATE. NON-PLATED EDGES PERMISSIBLE.
- 3. PADS AND VIAS CHASSIS GROUND.
- 4. DATUM AND BASIC DIMENSION ESTABLISHED BY CUSTOMER.
- 5. MATES WITH SFP MSA COMPLIANT TRANSCEIVERS.
- 6. INTERPRETATION OF DATUM REFERENCE FRAME IN ACCORDANCE WITH SECT 4.4.1.1 OF ASME Y14.5M-1994.
- 7. REFERENCE APPLICATION SPEC. 114-13120, HOLE A, FOR RECOMMENDED DRILL HOLE DIAMETER AND PLATING THICKNESS.
- 8. REFERENCE APPLICATION SPEC. 114-13120, HOLE B, FOR RECOMMENDED DRILL HOLE DIAMETER AND PLATING THICKNESS.
- 9. HOLE PATTERN REPEATS FOR EACH PORT. SPACING BETWEEN PORTS IS 14.25mm.
- 10. MINIMUM PCB THICKNESS:  
SINGLE SIDED = 1.50  
DOUBLE SIDED = 2.25
- 11. CERTAIN MATING TRANSCEIVERS MAY REQUIRE ADDITIONAL PCB THICKNESS THAT WOULD NEED TO BE DETERMINED BY THE CUSTOMER.
- 12. PRODUCT COMPLIES WITH WITH SPECIFICATION SFF-8433 IMPROVED PLUGGABLE FORM FACTOR FOR SFP+ GANGED CAGES.



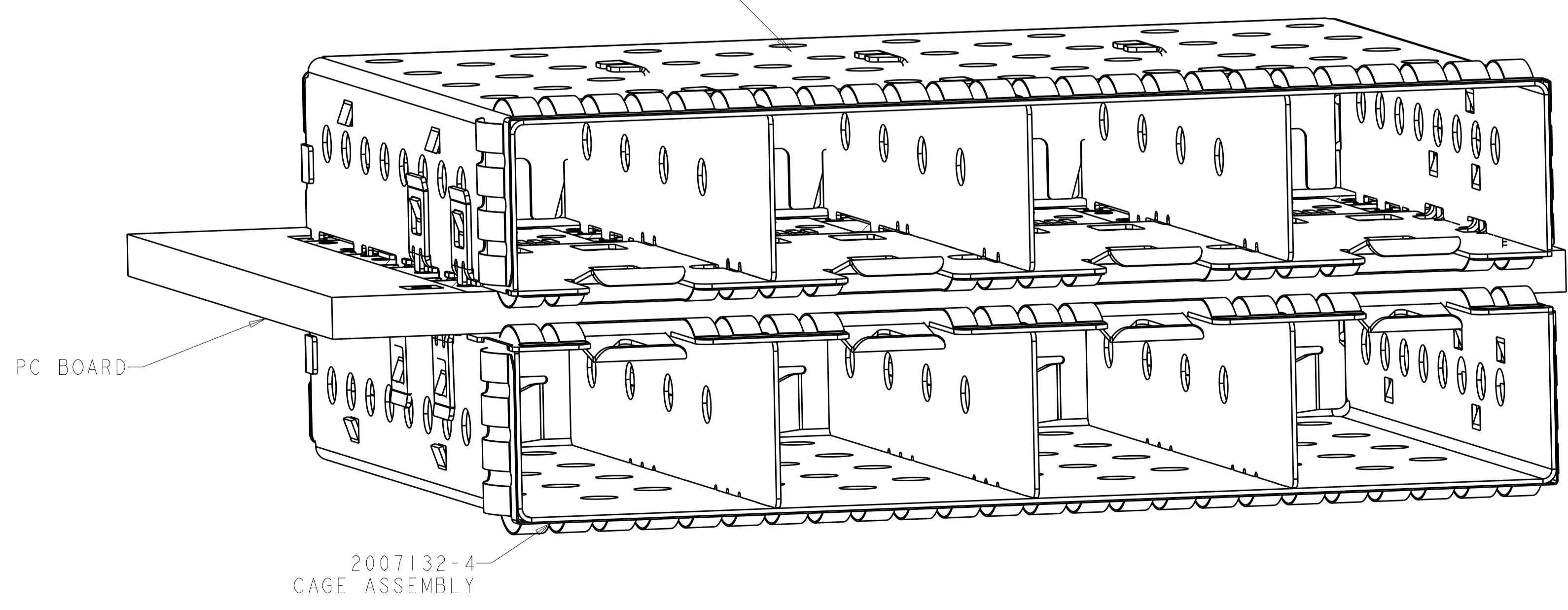
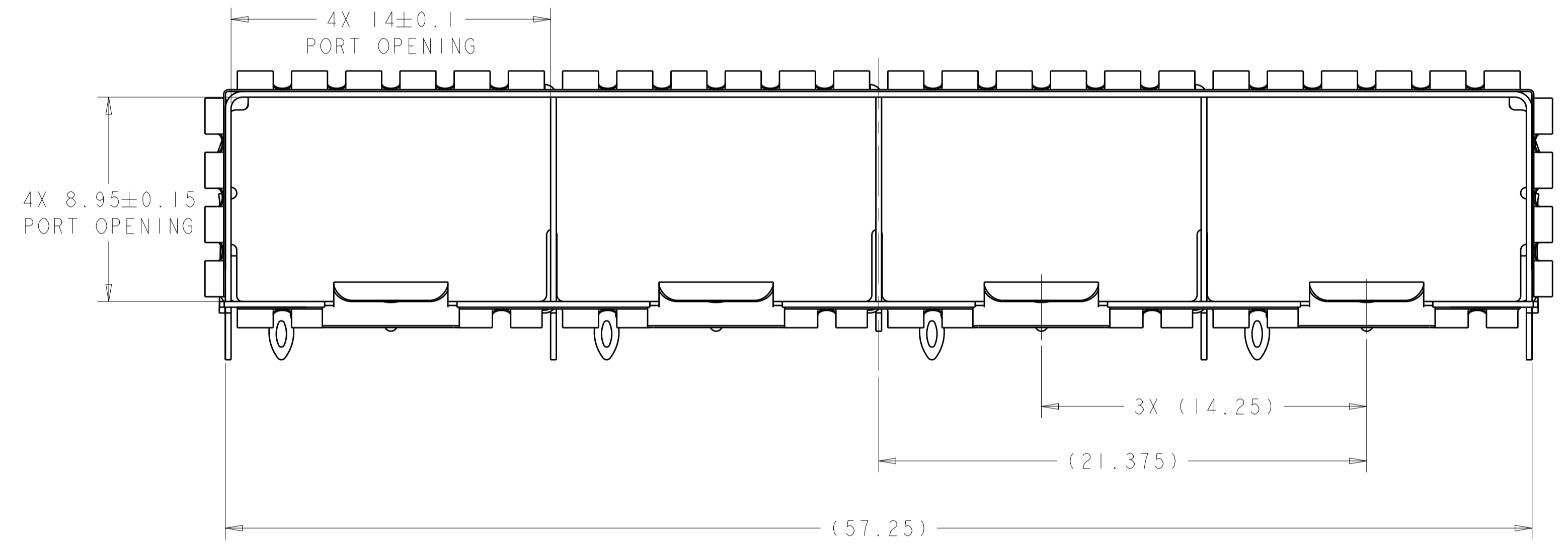
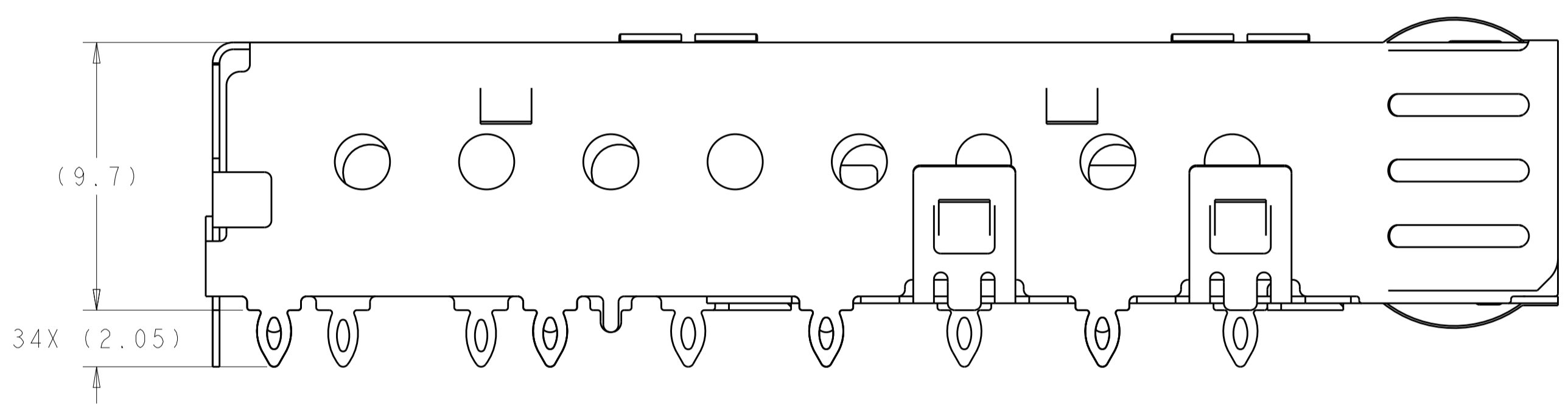
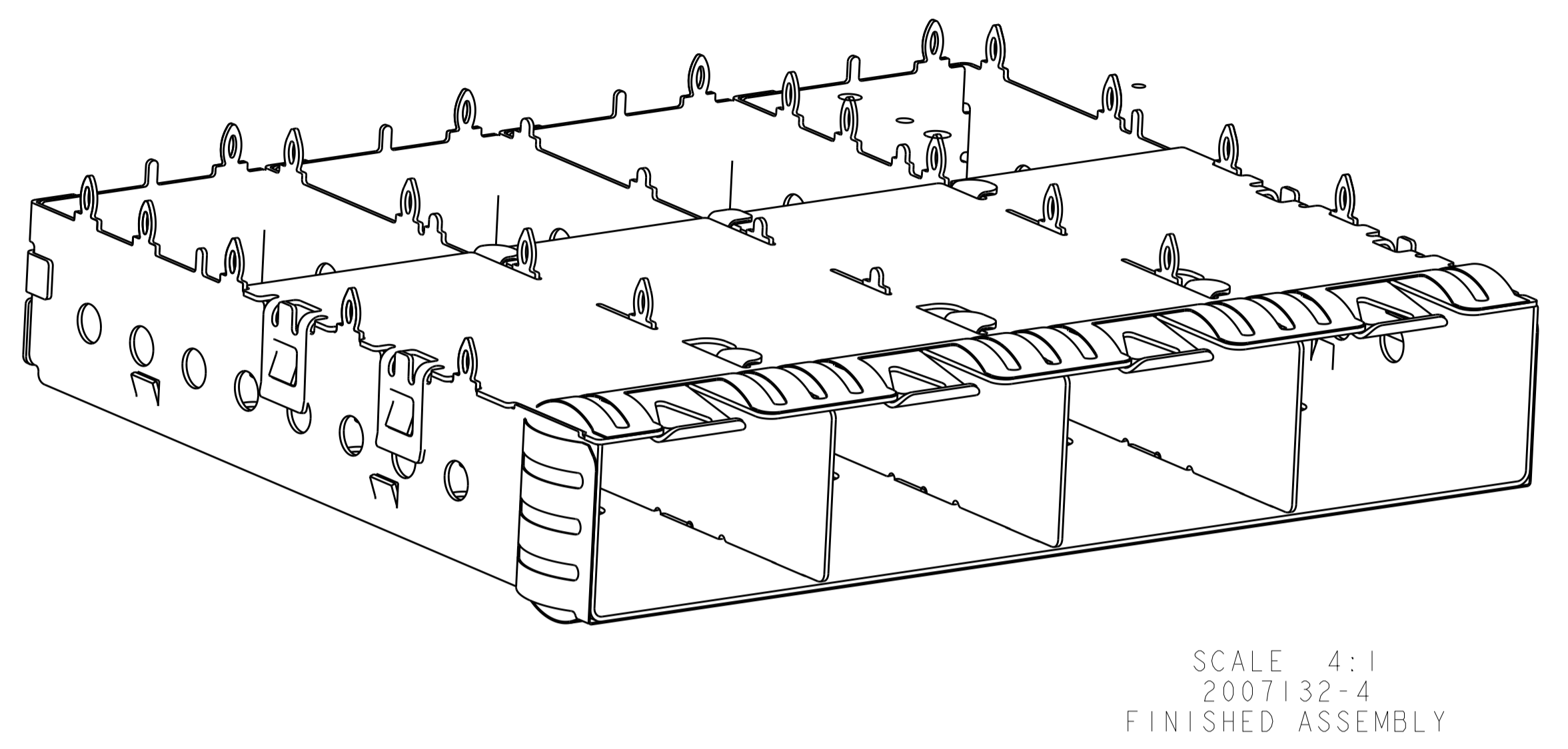
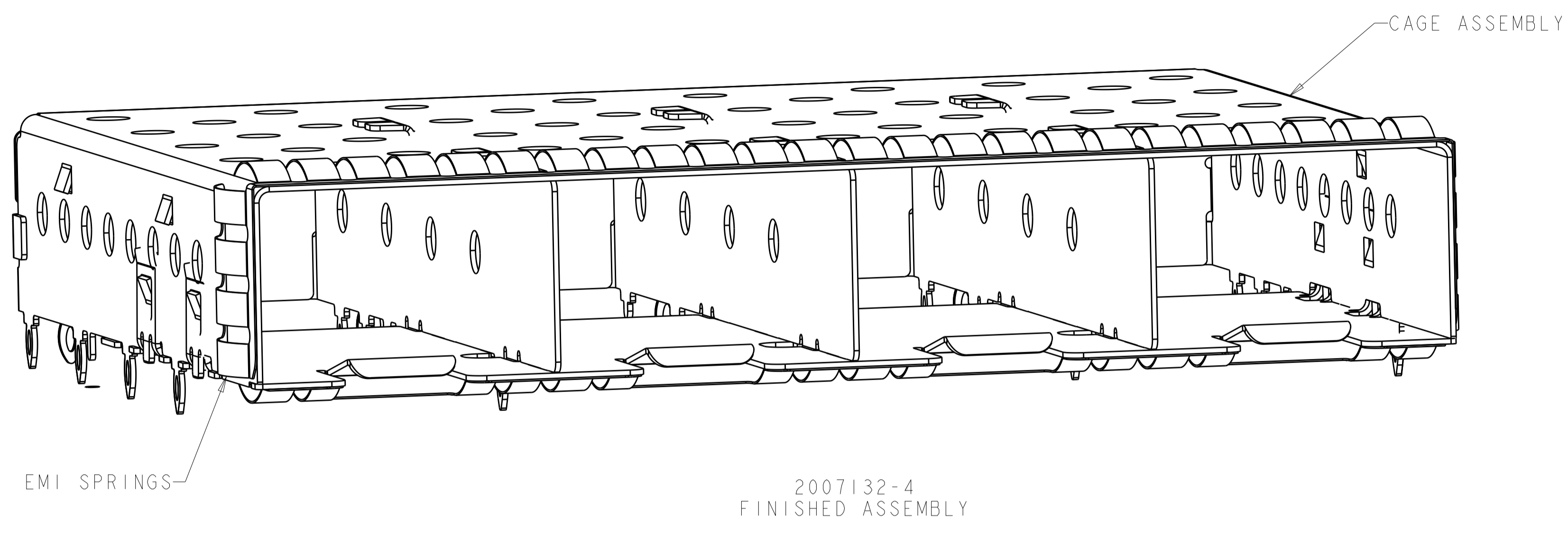
2007132-1 CAGE ASSEMBLY



2007132-1 CAGE ASSEMBLY MOUNTED BELLYTO BELLY ON PCB SCALE 5:1

2007132-1 PART NUMBER

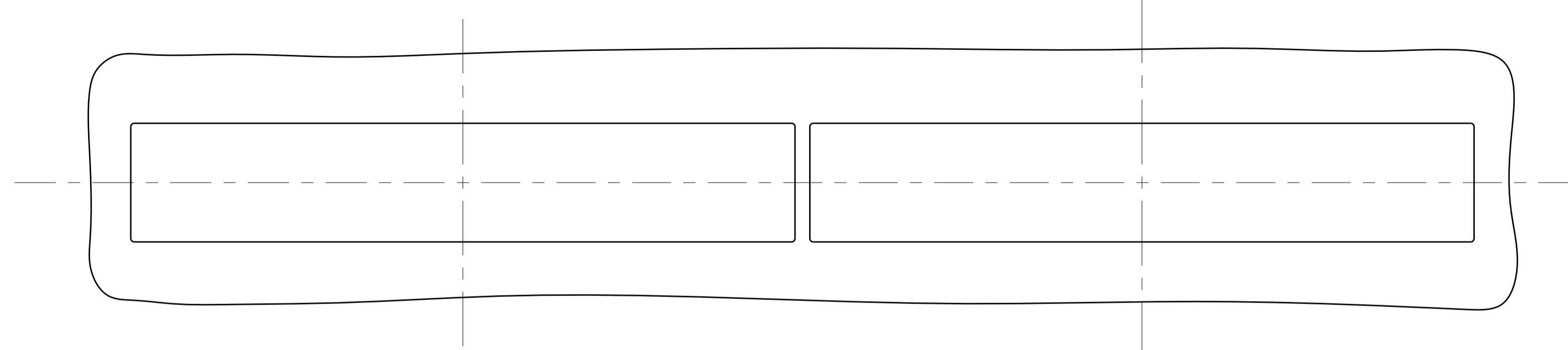
THIS DRAWING IS A CONTROLLED DOCUMENT.		DWN M. SCHMITT 21JUN2007	 TE Connectivity	NAME SFP+ 1X4 CAGE ASSEMBLY PRESS FIT, EXTERNAL EMI SPRINGS	
DIMENSIONS: mm		CHK M. SCHMITT 21JUN2007			PRODUCT SPEC 108-2364
TOLERANCES UNLESS OTHERWISE SPECIFIED:		APVD B. WERTZ 21JUN2007			APPLICATION SPEC 114-13120
0 PLC ±0.1 1 PLC ±0.1 2 PLC ±0.1 3 PLC ±0.1 4 PLC ±0.1 ANGLES ±1°		WEIGHT			RESTRICTED TO
MATERIAL	FINISH	Customer Drawing	SCALE 2:1	SHEET 1 OF 7 REV D1	



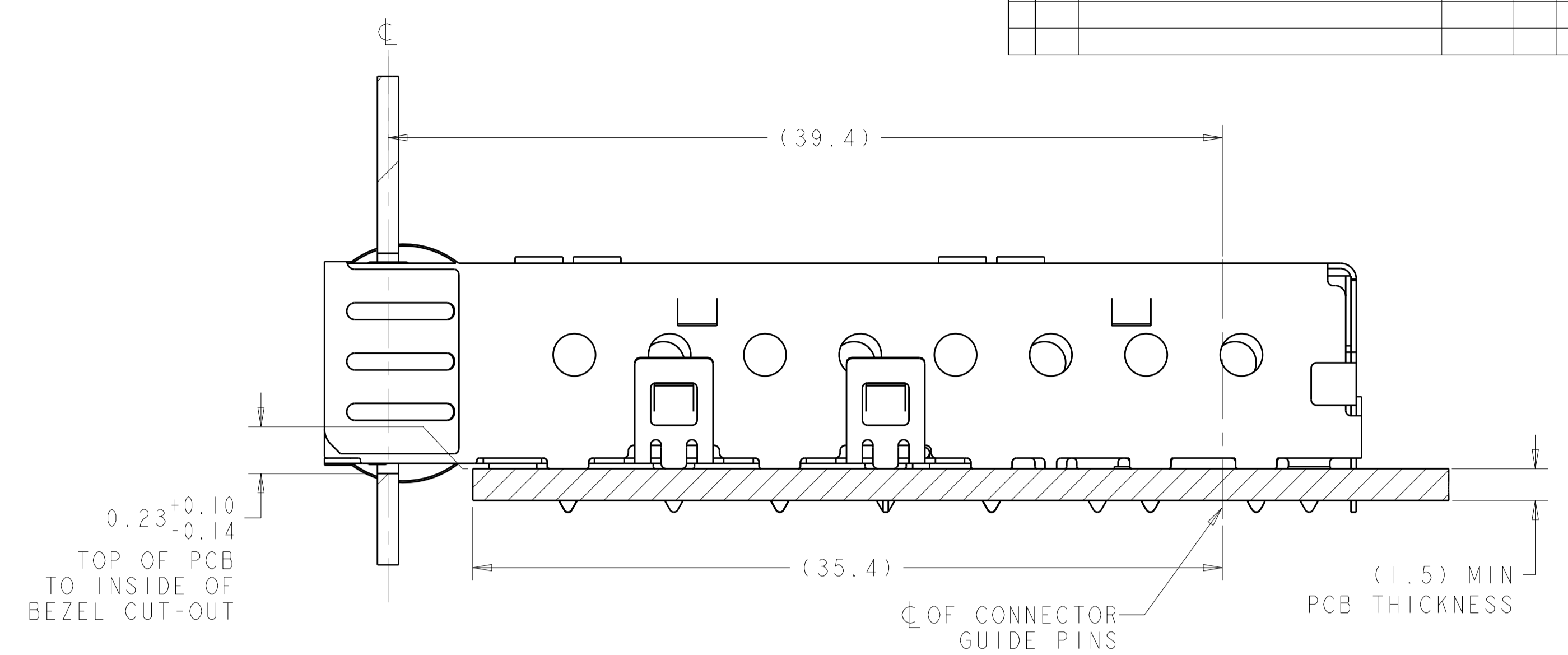
2007132-4  
PART  
NUMBER

THIS DRAWING IS A CONTROLLED DOCUMENT.		DWN	M. SCHMITT	21JUN2007	TE Connectivity NAME SFP+ 1X4 CAGE ASSEMBLY PRESS FIT, EXTERNAL EMI SPRINGS
DIMENSIONS:		CHK	M. SCHMITT	21JUN2007	
TOLERANCES UNLESS OTHERWISE SPECIFIED:		APVD	B. WERTZ	21JUN2007	
mm		PRODUCT SPEC		108-2364	
0 PLC ±0.1 1 PLC ±0.1 2 PLC ±0.1 3 PLC ±0.1 4 PLC ±0.1 ANGLES ±0.1		APPLICATION SPEC		114-13120	
MATERIAL		FINISH		WEIGHT	RESTRICTED TO
				Customer Drawing	SCALE 1:1 SHEET 2 OF 7 REV D1

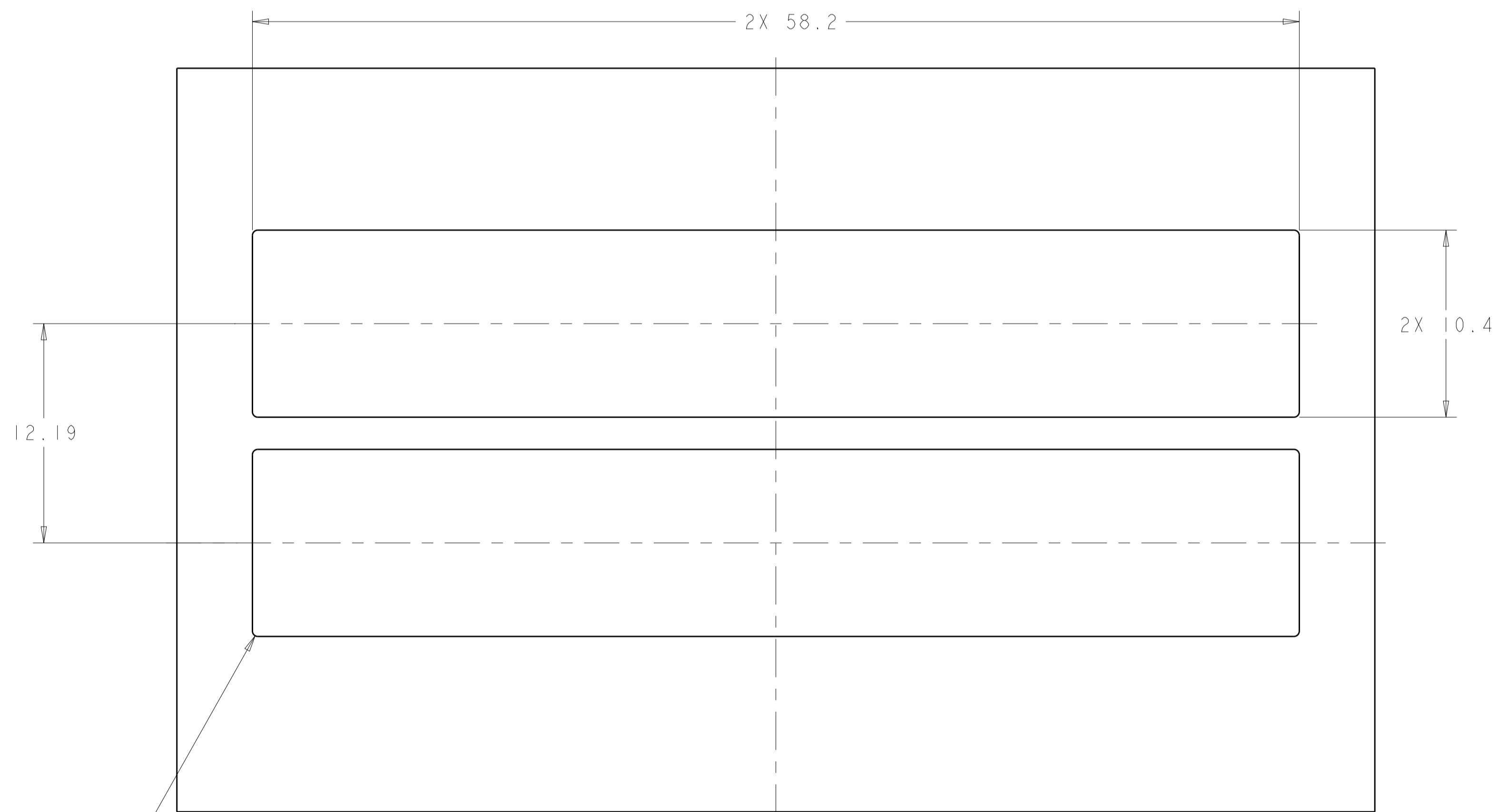
LOC		DIST		REVISIONS			
GP	00	P	LTH	DESCRIPTION	DATE	DMN	APVD
-	-	-	-	SEE SHEET 1	-	-	-



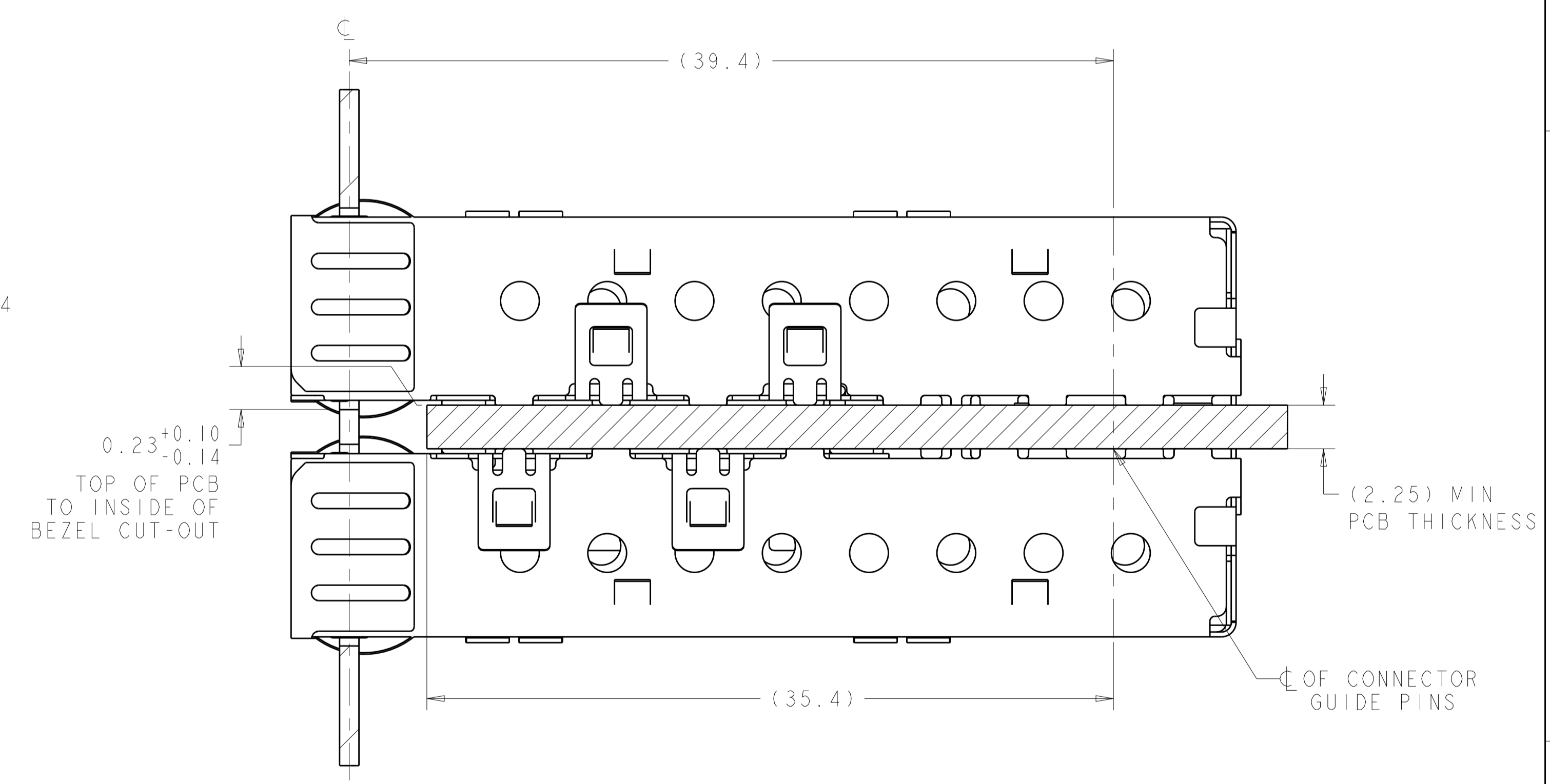
RECOMMENDED BEZEL CUT-OUT  
 SINGLE SIDED APPLICATIONS  
 SCALE 3:1



2007132-1/4  
 MOUNTED ON PC BOARD  
 SHOWN THRU RECOMMENDED BEZEL  
 SCALE 5:1



RECOMMENDED BEZEL CUT-OUT  
 BELLY TO BELLY APPLICATIONS  
 SCALE 5:1



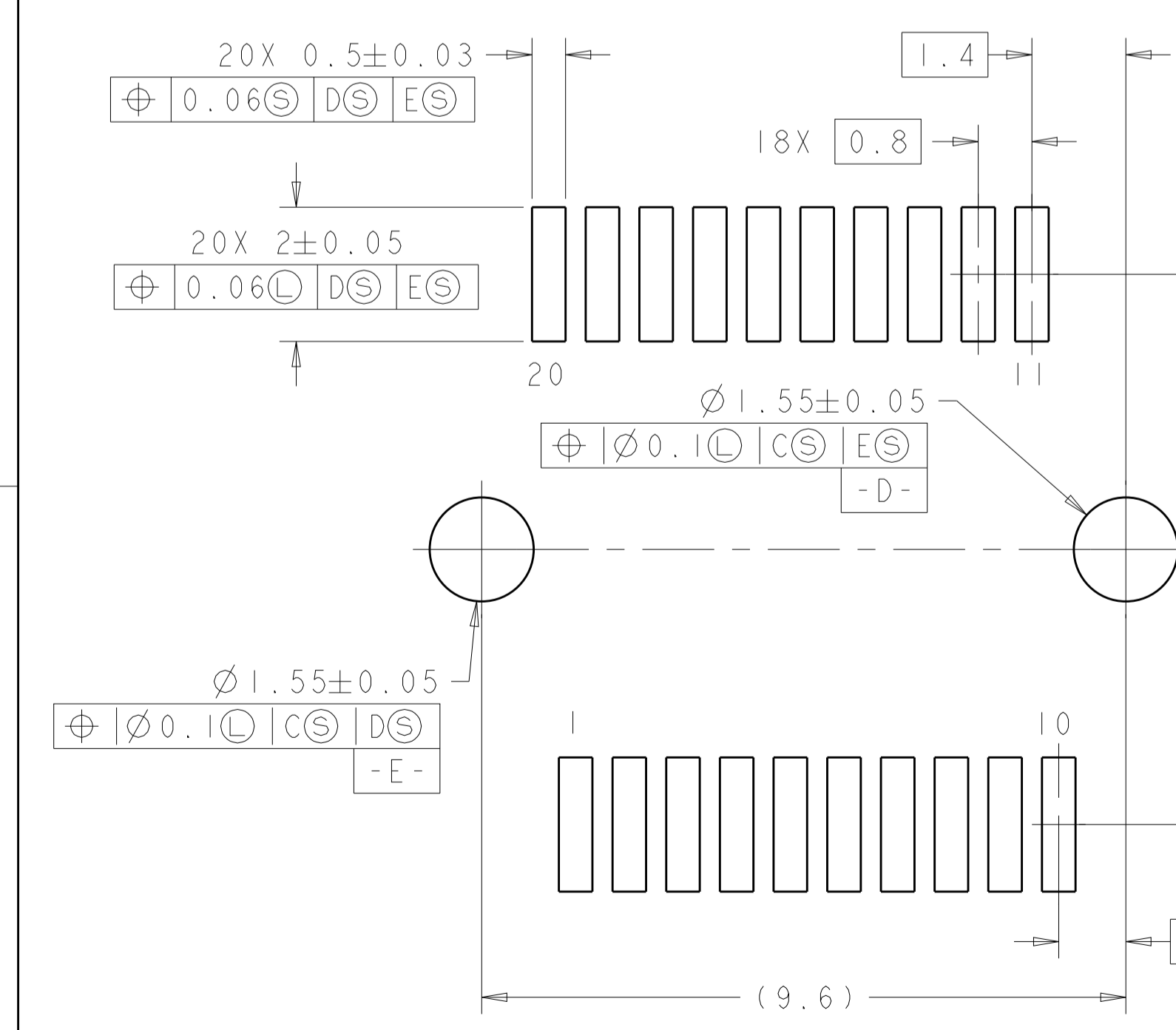
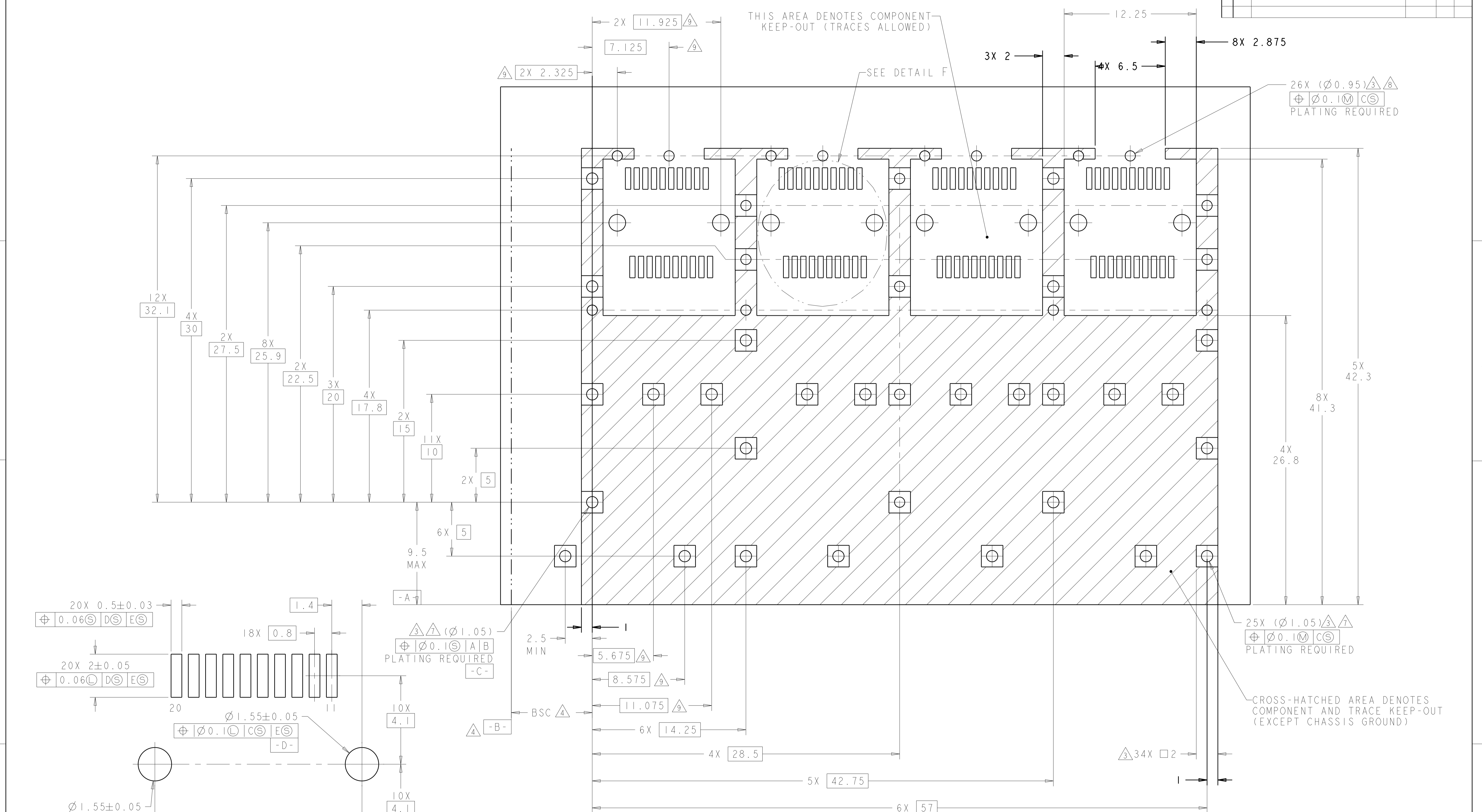
2007132-1/4  
 MOUNTED BELLY TO BELLY ON PC BOARD  
 SHOWN THRU RECOMMENDED BEZEL  
 SCALE 5:1

THIS DRAWING IS A CONTROLLED DOCUMENT.		DMN M. SCHMITT 21JUN2007	TE Connectivity
DIMENSIONS: mm		CHK M. SCHMITT 21JUN2007	
TOLERANCES UNLESS OTHERWISE SPECIFIED: 0 PLC ±0.1 1 PLC ±0.1 2 PLC ±0.1 3 PLC ±0.1 4 PLC ±0.1 ANGLES ±1°		APVD B. WERTZ 21JUN2007 PRODUCT SPEC 108-2364 APPLICATION SPEC 114-13120 WEIGHT - Customer Drawing	
MATERIAL -		NAME SFP+ 1X4 CAGE ASSEMBLY PRESS FIT, EXTERNAL EMI SPRINGS SIZE CAGE CODE DRAWING NO. A100779C=2007132 RESTRICTED TO - SCALE 2:1 SHEET 3 OF 7 REV D1	

LOC	DIST	REV	DATE	BY	APPV
GP	00				

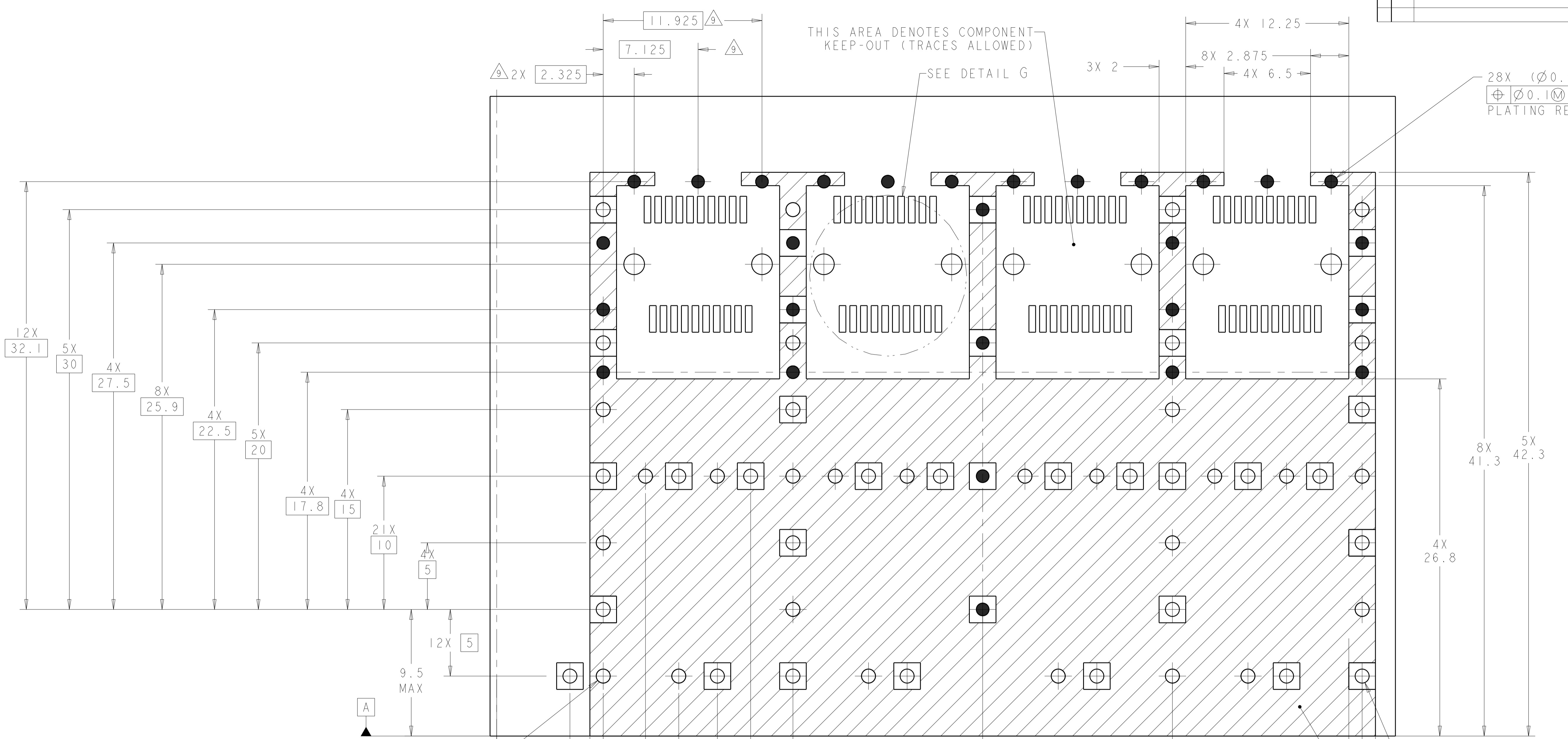
  

REVISIONS			
NO.	DESCRIPTION	DATE	BY
1	SEE SHEET 1		



THIS DRAWING IS A CONTROLLED DOCUMENT.		OWN: M. SCHMITT 21JUN2007	TE Connectivity
DIMENSIONS: mm		CHK: M. SCHMITT 21JUN2007	
TOLERANCES UNLESS OTHERWISE SPECIFIED:		APPV: B. WERTZ 21JUN2007	
0 PLC ±0.1	1 PLC ±0.1	2 PLC ±0.1	NAME: SFP+ 1X4 CAGE ASSEMBLY PRESS FIT, EXTERNAL EMI SPRINGS
3 PLC ±0.1	4 PLC ±0.1	5 PLC ±0.1	PRODUCT SPEC: 108-2364
6 PLC ±0.1	7 PLC ±0.1	8 PLC ±0.1	APPLICATION SPEC:
ANGLES ±1°	FINISH: #1*		SIZE: CAGE CODE DRAWING NO. RESTRICTED TO
MATERIAL:	WEIGHT:	114-13120	A100779 ©=2007132
Customer Drawing		SCALE: 2:1	SHEET 4 OF 7 REV D1

LOC		DIST		REVISIONS				
GP	00	P	LTN	DESCRIPTION	DATE	DWN	APVD	
-	-	-	-	SEE SHEET 1	-	-	-	



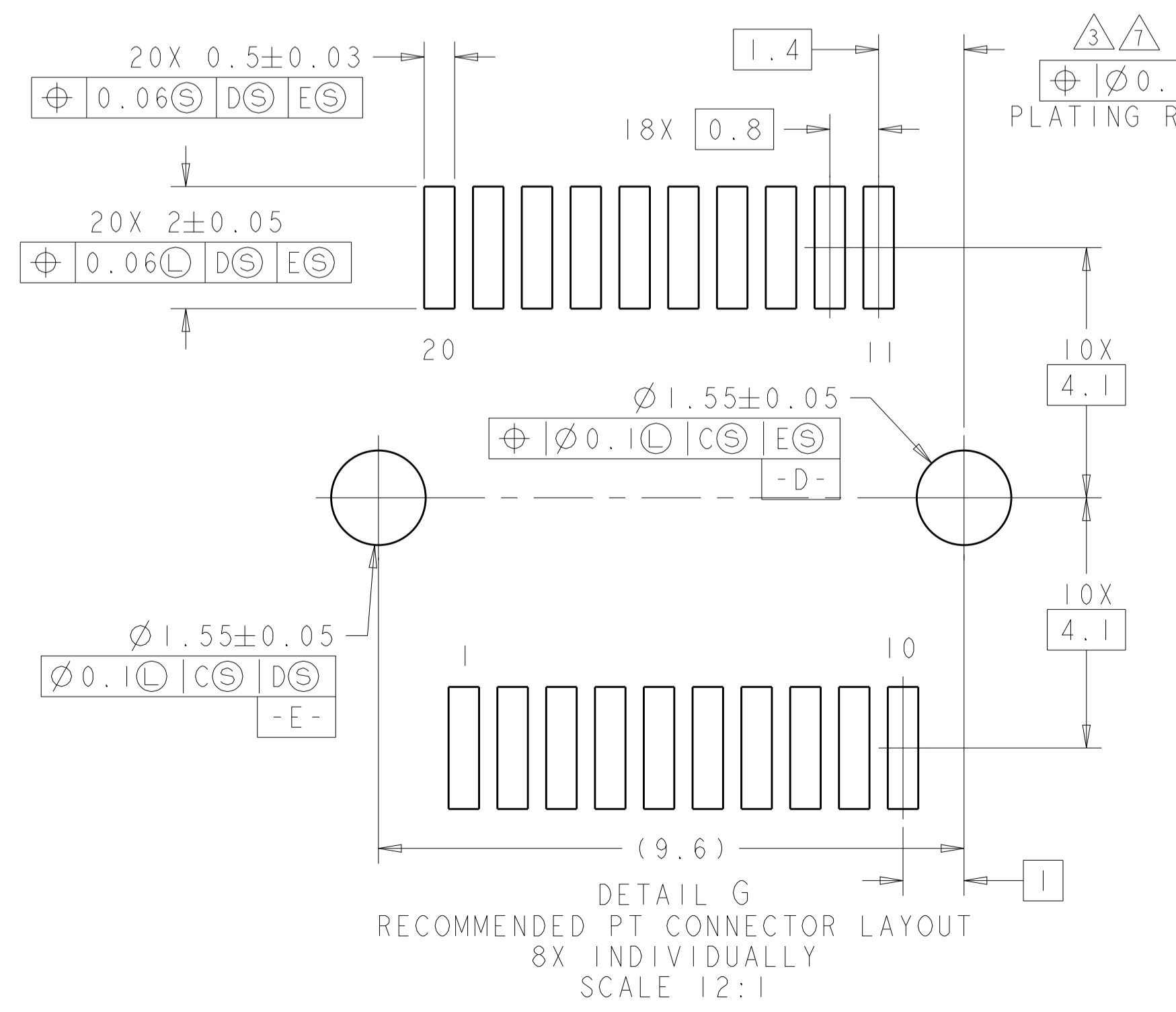
THIS AREA DENOTES COMPONENT KEEP-OUT (TRACES ALLOWED)  
SEE DETAIL G

28X ( $\varnothing 0.95$ )  $\Delta 3$   
 $\varnothing 0.1$  CS  
PLATING REQUIRED

51X ( $\varnothing 1.05$ )  $\Delta 3$   
 $\varnothing 0.1$  CS  
PLATING REQUIRED

CROSS-HATCHED AREA DENOTES COMPONENT AND TRACE KEEP-OUT (EXCEPT CHASSIS GROUND)

2007132-1  
RECOMMENDED PCB CONFIGURATION  
WITH KEEP-OUT AREAS  
BELLY TO BELLY APPLICATIONS  $\Delta$

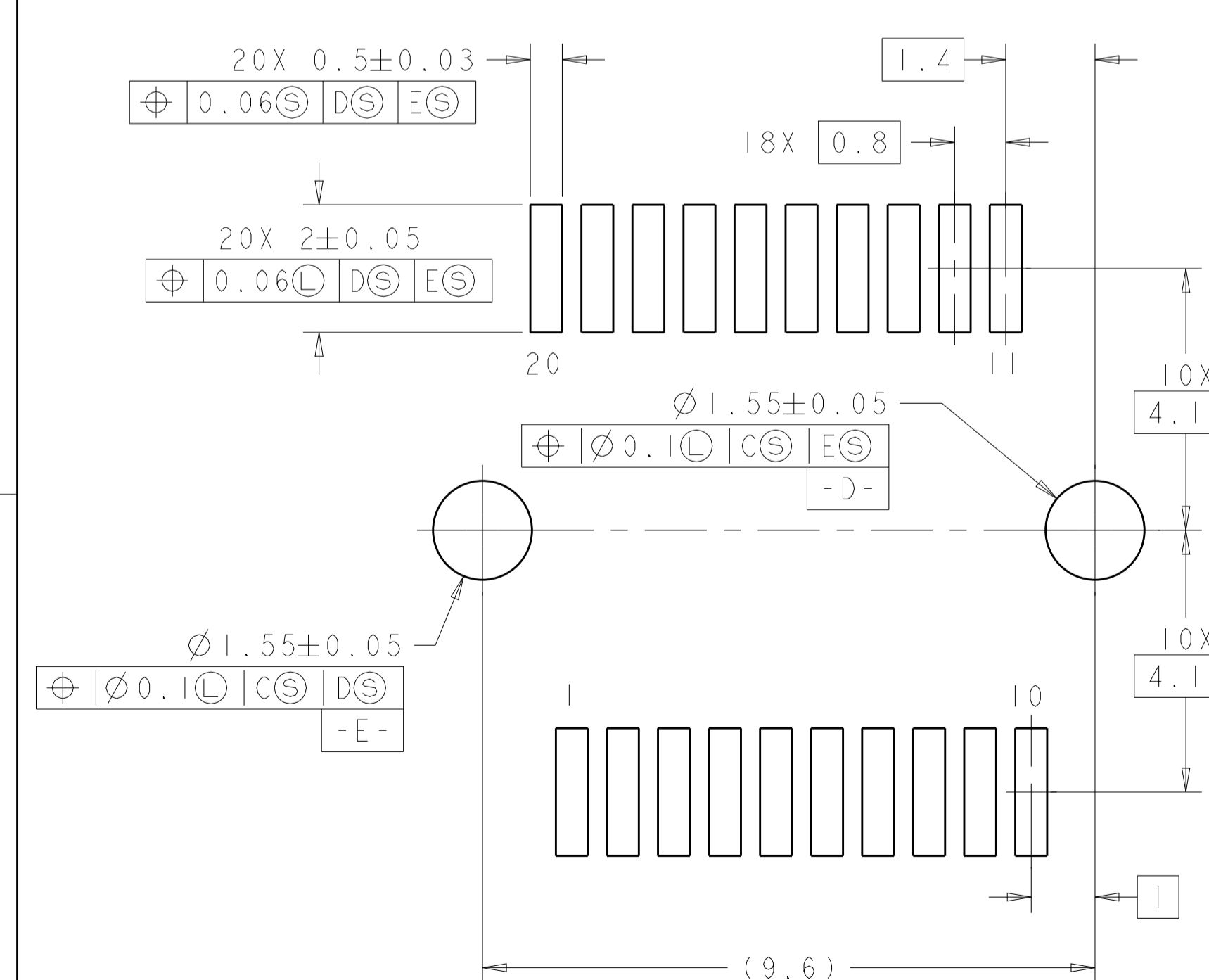
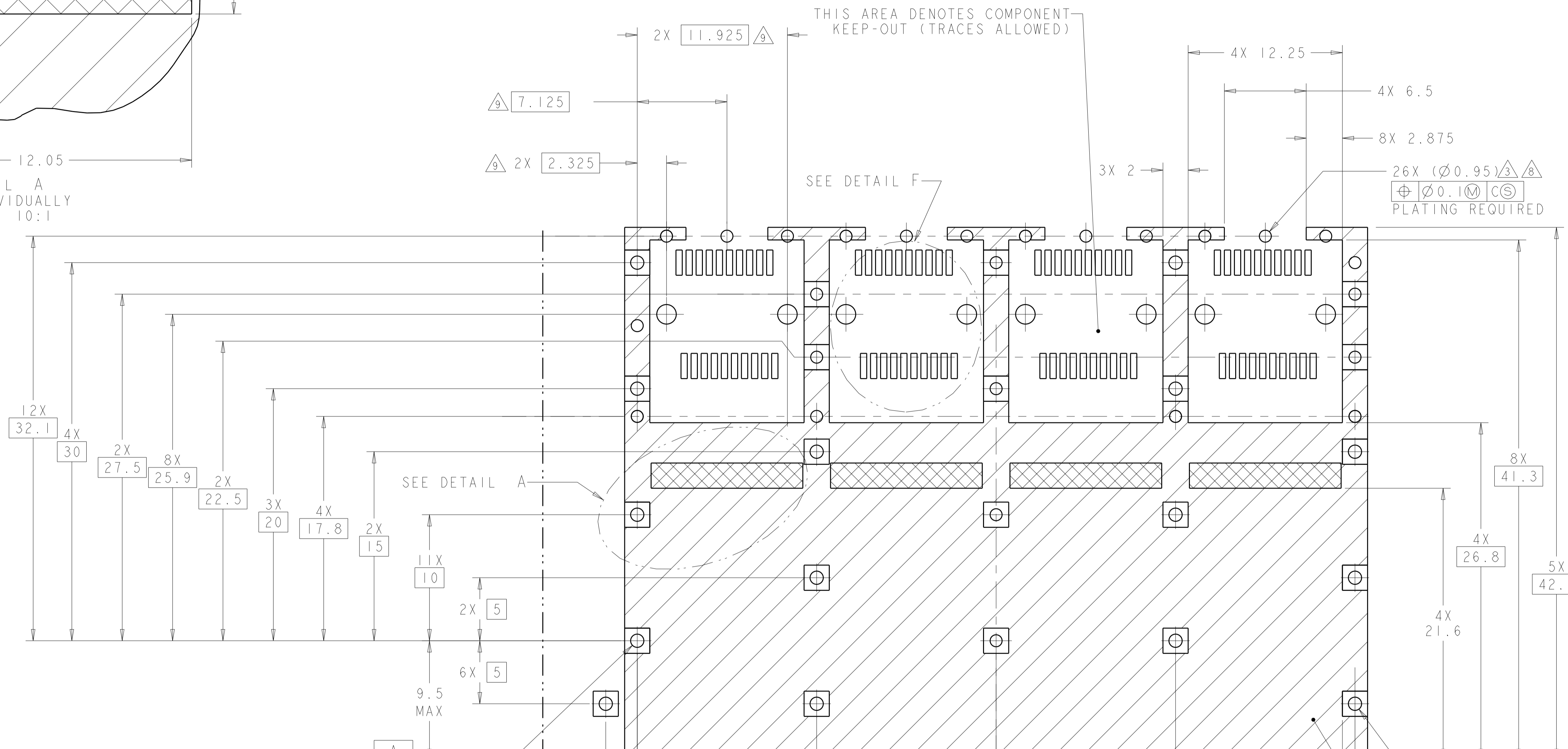
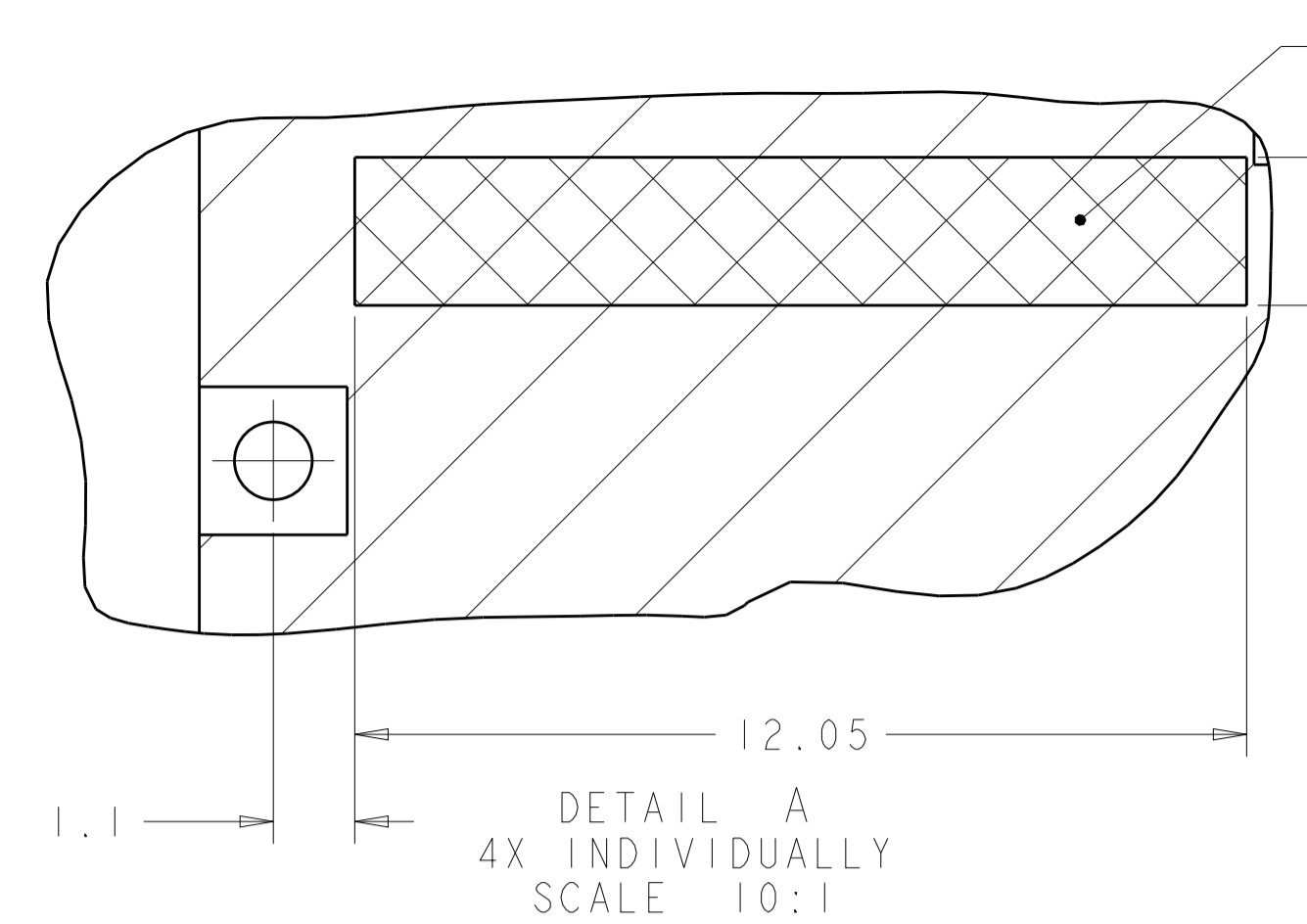


THIS DRAWING IS A CONTROLLED DOCUMENT.		DWN: M. SCHMITT 21JUN2007		TE Connectivity
DIMENSIONS: mm		CHK: M. SCHMITT 21JUN2007		
TOLERANCES UNLESS OTHERWISE SPECIFIED:		APVD: B. WERTZ 21JUN2007	NAME: SFP+ 1X4 CAGE ASSEMBLY PRESS FIT, EXTERNAL EMI SPRINGS	
0 PLC ±0.1		PRODUCT SPEC	SIZE: CAGE CODE DRAWING NO. RESTRICTED TO	
1 PLC ±0.1		108-2364	A100779C=2007132	
2 PLC ±0.1		APPLICATION SPEC	SCALE 2:1 SHEET 5 OF 7 REV D1	
3 PLC ±0.1		114-13120	Customer Drawing	
4 PLC ±0.1		WEIGHT		
ANGLES ±1°				
FINISH				

LOC	DIST	REV	DATE	BY	APPV
GP	00				

REVISIONS					
NO.	DESCRIPTION	DATE	BY	APPV	
1	SEE SHEET 1				

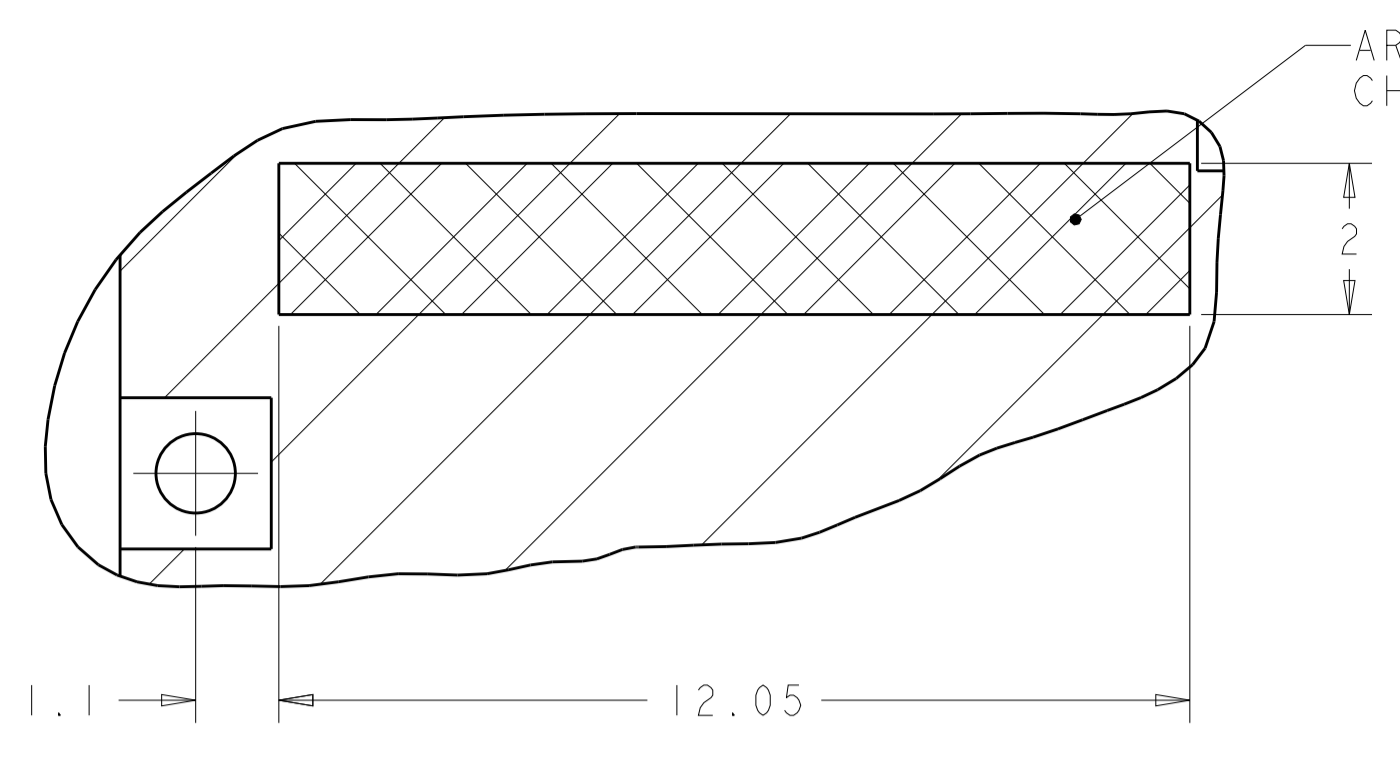


THIS DRAWING IS A CONTROLLED DOCUMENT.		DWN M. SCHMITT 21 JUN 2007 CHK M. SCHMITT 21 JUN 2007 APVD B. WERTZ 21 JUN 2007	TE Connectivity
DIMENSIONS: mm 	TOLERANCES UNLESS OTHERWISE SPECIFIED: 0 PLC ±0.1 1 PLC ±0.1 2 PLC ±0.1 3 PLC ±0.1 4 PLC ±0.1 ANGLES ±0.1	NAME SFP+ 1X4 CAGE ASSEMBLY PRESS FIT, EXTERNAL EMI SPRINGS PRODUCT SPEC 108-2364 APPLICATION SPEC 114-13120 WEIGHT - Customer Drawing	
MATERIAL	FINISH	SIZE CAGE CODE DRAWING NO A1 00779C=2007132 SCALE 1:1 SHEET 6 OF 7 REV D1	

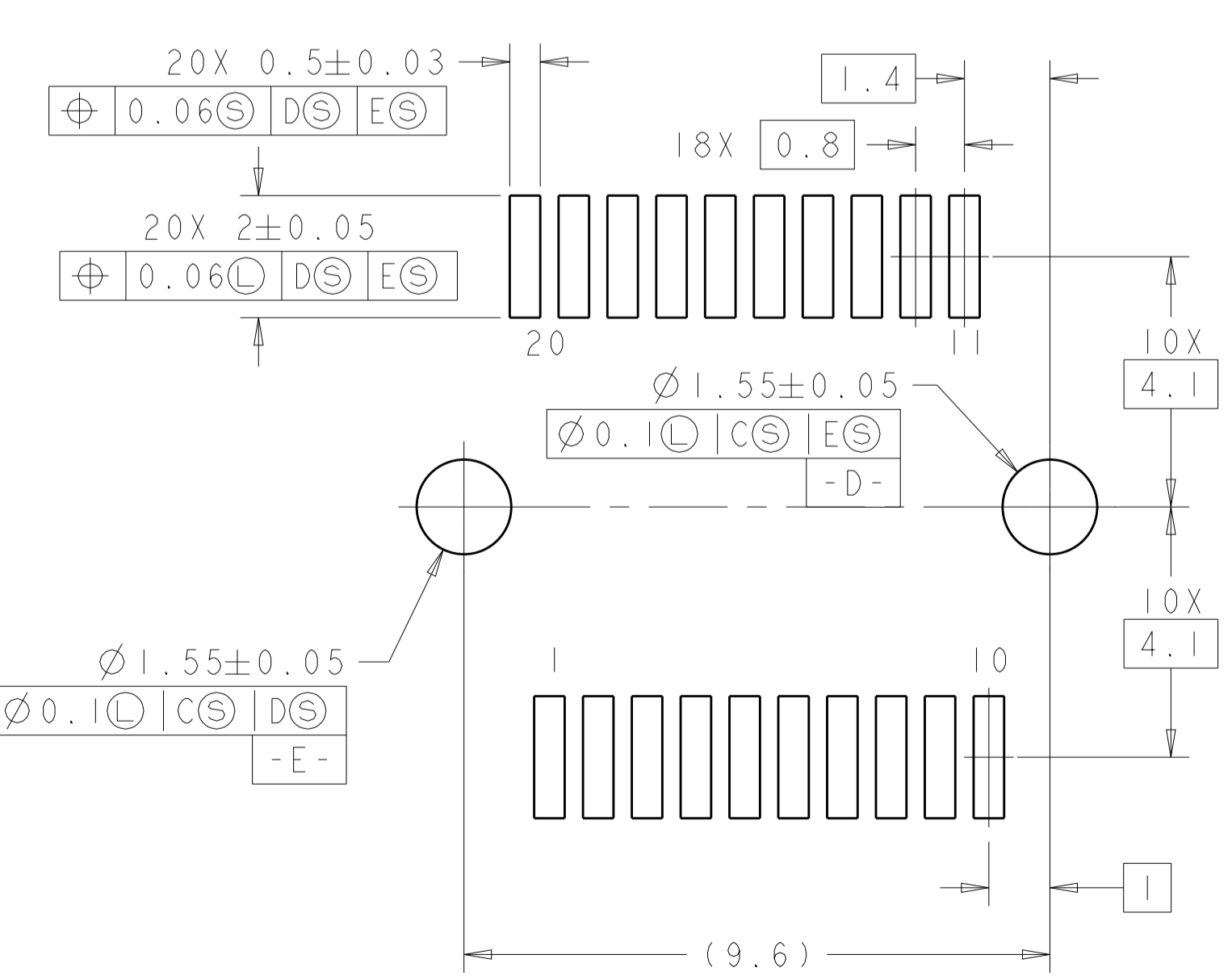
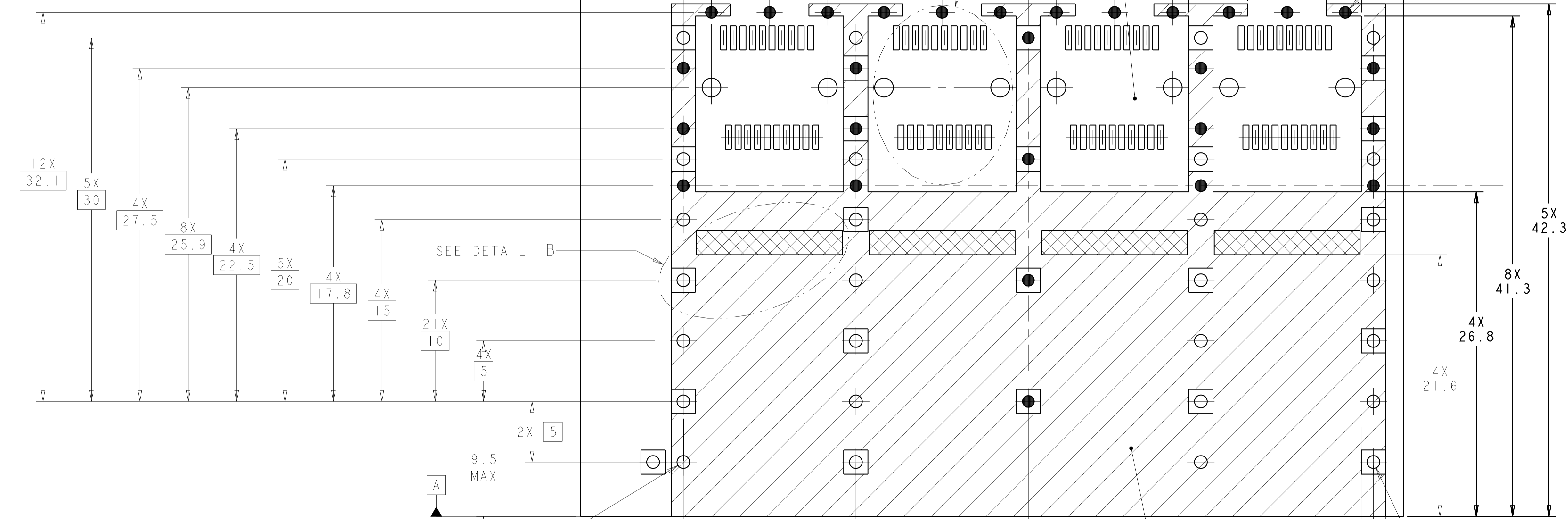
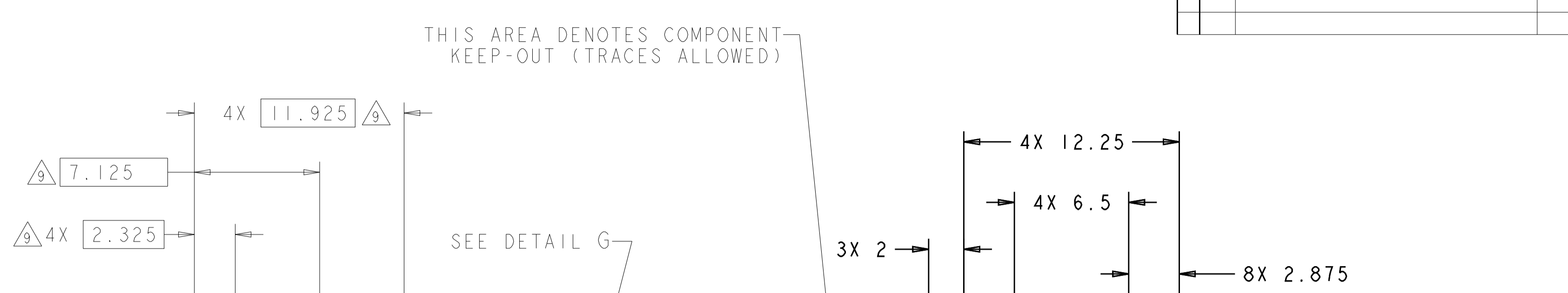
LOC	DIST	REV	DATE	BY	APPV
GP	00				

REVISIONS					
REV	DATE	BY	APPV	DESCRIPTION	DATE
-	-	-	-	SEE SHEET 1	-



DETAIL B  
4X INDIVIDUALLY  
SCALE 10:1



DETAIL G  
RECOMMENDED PT CONNECTOR LAYOUT  
8X INDIVIDUALLY  
SCALE 10:1

2007132-4  
RECOMMENDED PCB CONFIGURATION  
WITH KEEP-OUT AREAS  
BELLY TO BELLY APPLICATIONS  
SCALE 5:1

CROSS-HATCHED AREA DENOTES  
COMPONENT AND TRACE KEEP-OUT  
(EXCEPT CHASSIS GROUND)

THIS DRAWING IS A CONTROLLED DOCUMENT.		DWN: M. SCHMITT 21JUN2007 CHK: M. SCHMITT 21JUN2007 APV: B. WERTZ 21JUN2007	TE Connectivity
DIMENSIONS: mm	TOLERANCES UNLESS OTHERWISE SPECIFIED: 0 PLC ±0.1 1 PLC ±0.1 2 PLC ±0.1 3 PLC ±0.1 4 PLC ±0.1 ANGLES ±1°	NAME: SFP+ 1X4 CAGE ASSEMBLY PRODUCT SPEC: 108-2364 APPLICATION SPEC: 114-13120 WEIGHT: -	
MATERIAL:		FINISH:	RESTRICTED TO: - SCALE: 1:1 SHEET 7 OF 7 REV D1