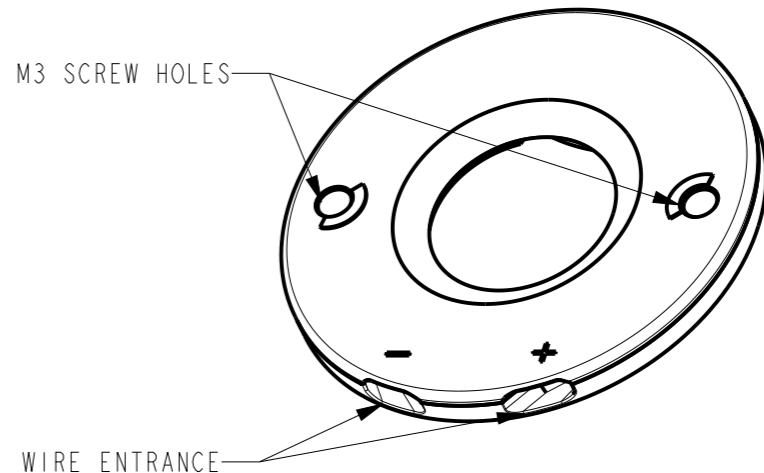
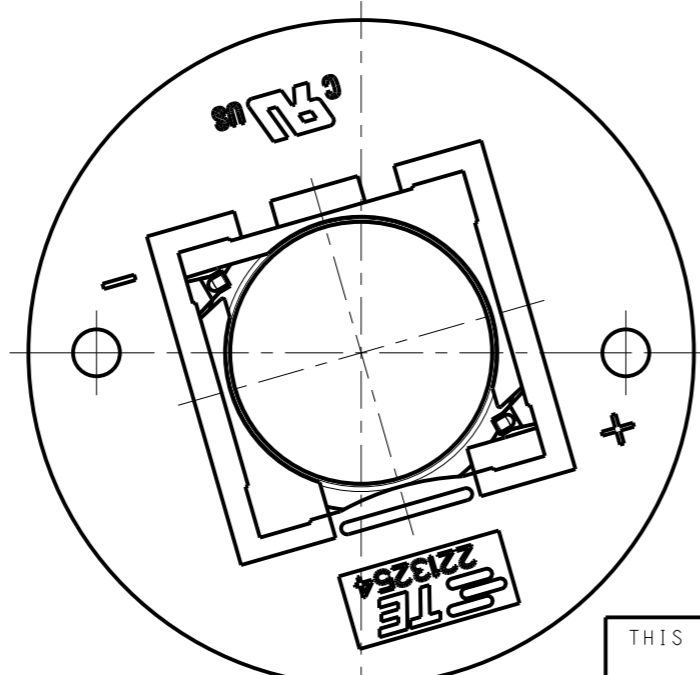
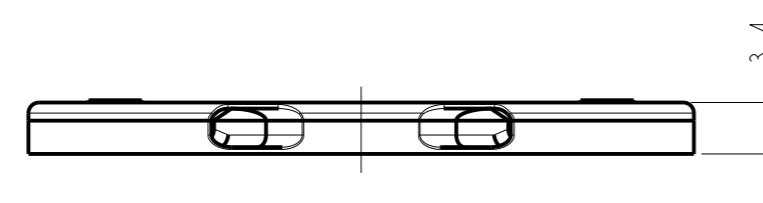
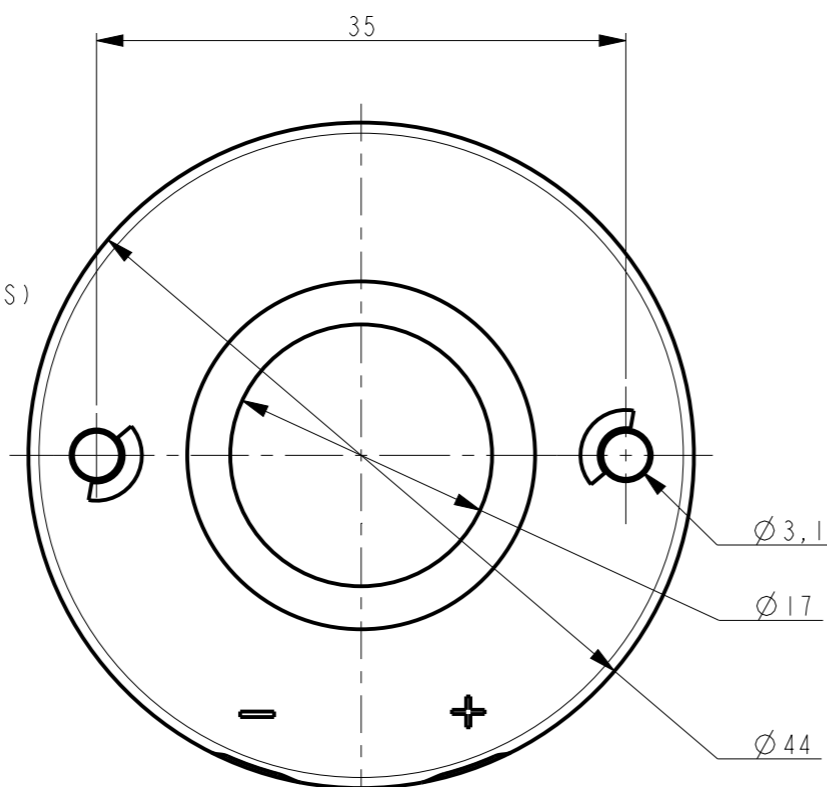


THIS DRAWING IS UNPUBLISHED. RELEASED FOR PUBLICATION  
 © COPYRIGHT - BY TYCO ELECTRONICS CORPORATION. ALL RIGHTS RESERVED.

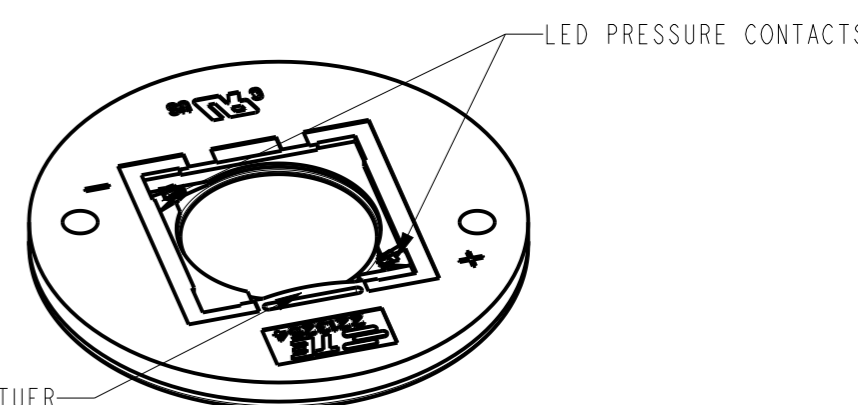
LOC	DIST	REVISIONS					
H	-	P	LTR	DESCRIPTION	DATE	DWN	APVD
			A	RELEASED PER ECR-13-012395	05-AUG-13	MVE	OL
			A1	REVISED PER ECR-14-000133	06JAN2014	AB	OL
			-	-	-	-	-

NOTES:

1. MATERIALS:  
HOUSING: GLASS FILLED PBT  
COLOR : NATURAL/WHITE  
CONTACTS: SILVER PLATED COPPER ALLOY
2. FOR SOLID AND STRANDED WIRE AWG 22-18
3. COMPLIES WITH DIRECTIVE 2002/95/EC (ROHS)
4. M3 SCREW TO BE USED FOR MOUNTING



SCALE 3:2



2213254-1 AS SHOWN

LUMAWISE LED HOLDER Z50 LOW PROFILE

PART NUMBER	DESCRIPTION
2213254-2	LUMAWISE LED HOLDER Z50 STANDARD PROFILE 1919
2213254-1	LUMAWISE LED HOLDER Z50 LOW PROFILE 1919

THIS DRAWING IS A CONTROLLED DOCUMENT.	
DIMENSIONS: mm	TOLERANCES UNLESS OTHERWISE SPECIFIED: 0 PLC ±- 1 PLC ±- 2 PLC ±- 3 PLC ±- 4 PLC ±- ANGLES ±-
MATERIAL -	FINISH -

DWN	6-AUG-13
CHK	M.V.ESSEN 6-AUG-13
APVD	M.V.ESSEN 6-AUG-13
PRODUCT SPEC	108-133008
APPLICATION SPEC	114-32048
WEIGHT	-
CUSTOMER DRAWING	

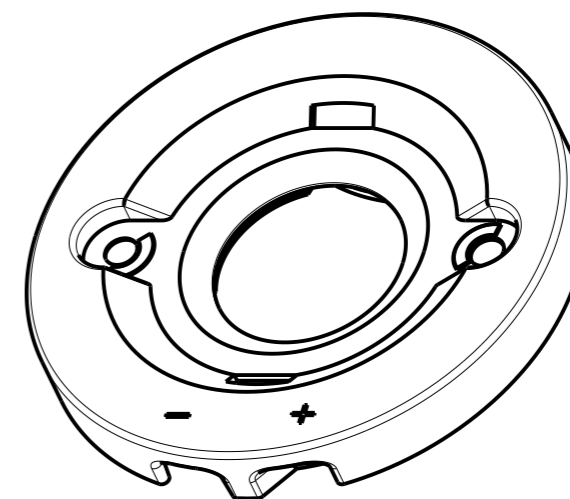
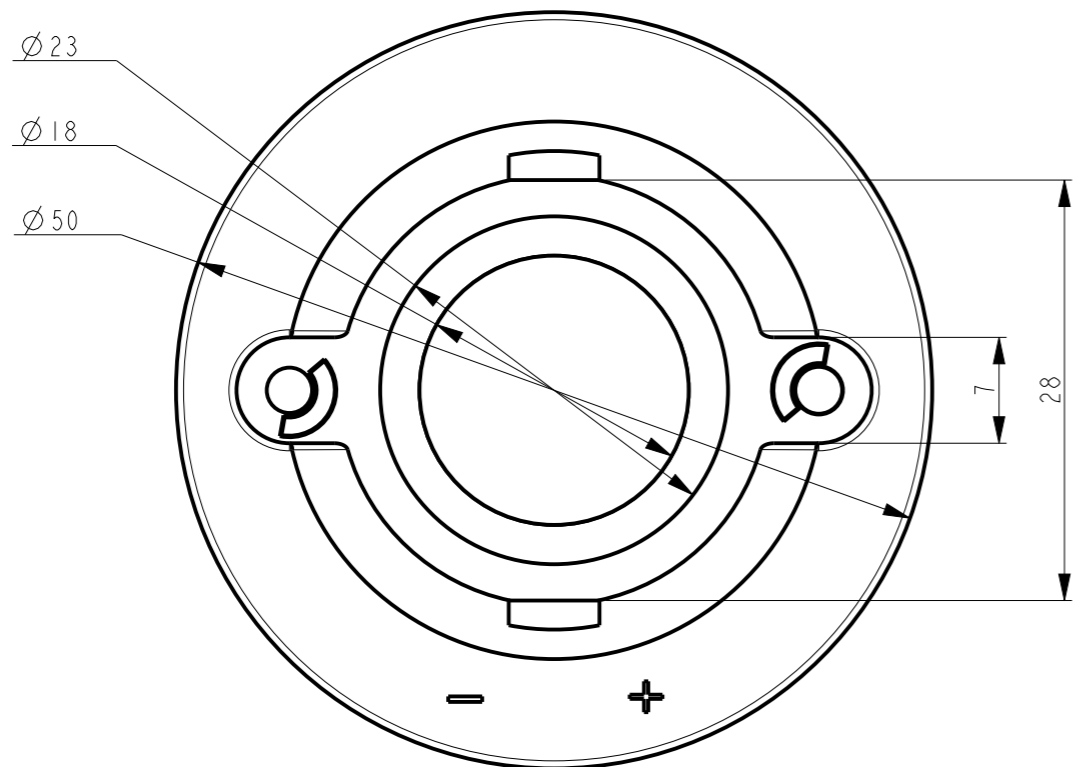
 LUMAWISE LED HOLDER Z50 1919				RESTRICTED TO
				-
SIZE	CAGE CODE	DRAWING NO	RESTRICTED TO	
A3	00779	C-2213254	-	
SCALE 2:1		SHEET 1 OF 3	REV A1	

THIS DRAWING IS UNPUBLISHED.

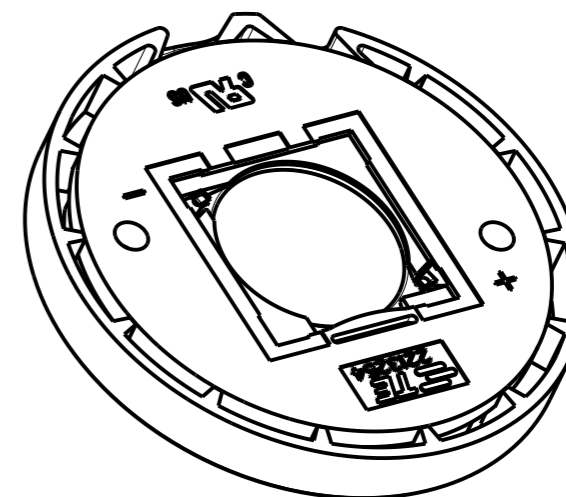
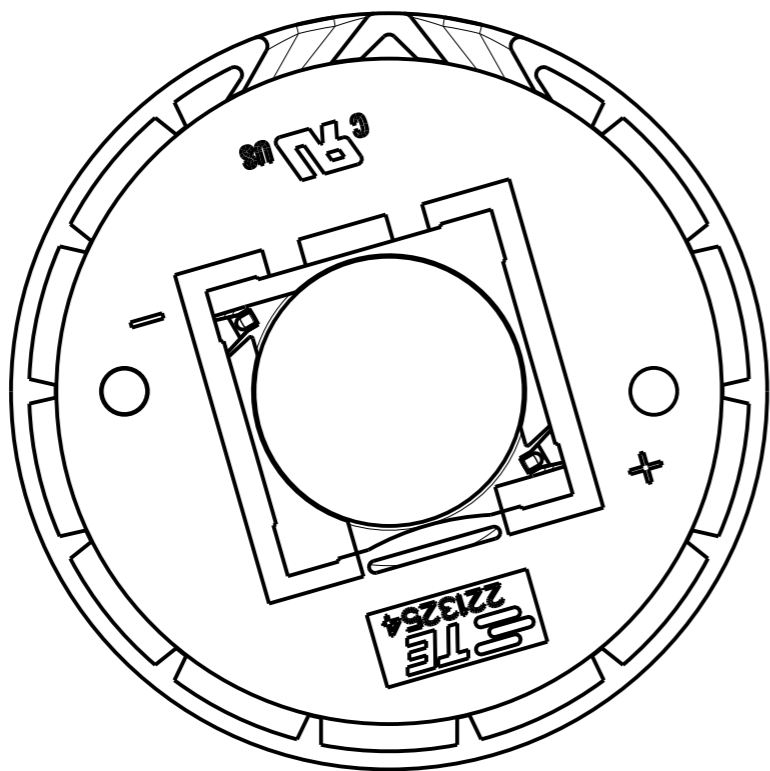
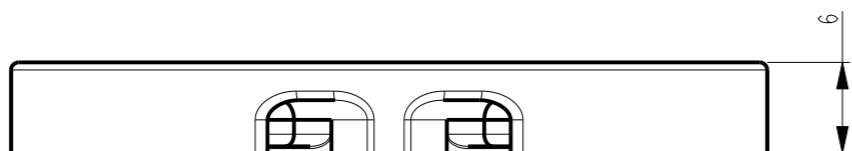
RELEASED FOR PUBLICATION

© COPYRIGHT - BY TYCO ELECTRONICS CORPORATION. ALL RIGHTS RESERVED.

LOC	DIST	REVISIONS					
H	-	P	LTR	DESCRIPTION	DATE	DWN	APVD
				SEE SHEET 1			




SCALE 3:2



2213254-2 AS SHOWN

LUMAWISE LED HOLDER Z50 STANDARD PROFILE

THIS DRAWING IS A CONTROLLED DOCUMENT.		DWN M.V.ESSSEN 6-AUG-13	 <b>TE Connectivity</b>	
DIMENSIONS: mm		CHK M.V.ESSSEN 6-AUG-13		
TOLERANCES UNLESS OTHERWISE SPECIFIED:		APVD O.I.FLJNSE 6-AUG-13	NAME LUMAWISE LED HOLDER Z50 1919	
0 PLC ±-		PRODUCT SPEC 108-133008	RESTRICTED TO	
1 PLC ±-		APPLICATION SPEC 114-32048	SIZE A3	CAGE CODE 00779
2 PLC ±-		WEIGHT -	DRAWING NO C-2213254	
3 PLC ±-		CUSTOMER DRAWING	SCALE 2:1	SHEET 2 OF 3
4 PLC ±-				REV A1
ANGLES ±-				
FINISH -				

THIS DRAWING IS UNPUBLISHED.

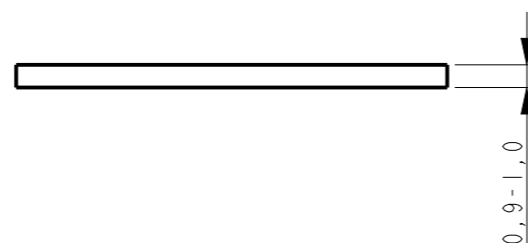
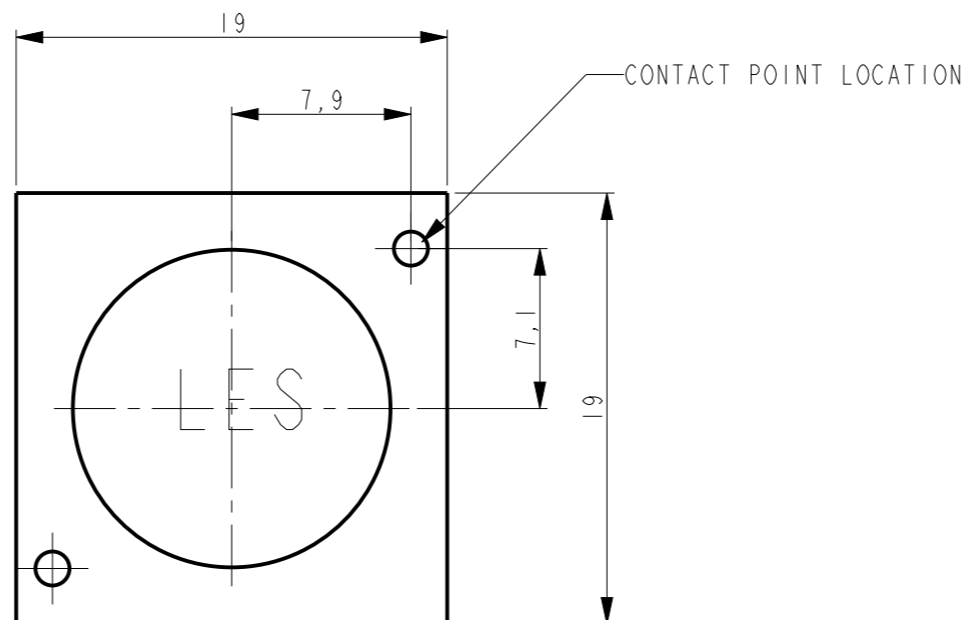
RELEASED FOR PUBLICATION

© COPYRIGHT - BY TYCO ELECTRONICS CORPORATION. ALL RIGHTS RESERVED.

LOC	DIST	REVISIONS					
H	-	P	LTR	DESCRIPTION	DATE	DWN	APVD
				SEE SHEET 1	-	-	-

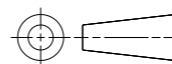
THE SKETCH BELOW IS SHOWING THE NOMINAL LED COB DIMENSIONS TO MATCH WITH THE Z50 LED HOLDER 1919

FOR TECHNICAL DETAILS ABOUT A PROPER MATCH WITH A SPECIFIC LED COB ARRAY PLEASE CONTACT A REPRESENTATIVE AT TE-CONNECTIVITY



THIS DRAWING IS A CONTROLLED DOCUMENT.

DIMENSIONS:  
mm



TOLERANCES UNLESS OTHERWISE SPECIFIED:

0 PLC	±:
1 PLC	±:
2 PLC	±:
3 PLC	±:
4 PLC	±:
ANGLES	±:

MATERIAL -

FINISH -

DWN M.V.ESSEN 6-AUG-13

CHK M.V.ESSEN 6-AUG-13

APVD O.I.FLJNSE 6-AUG-13

PRODUCT SPEC 108-133008

APPLICATION SPEC 114-32048

WEIGHT -

CUSTOMER DRAWING



NAME LUMAWISE LED HOLDER Z50 1919

SIZE	CAGE CODE	DRAWING NO	RESTRICTED TO
A3	00779	C-2213254	-

SCALE -	SHEET 3 OF 3	REV A1
---------	--------------	--------