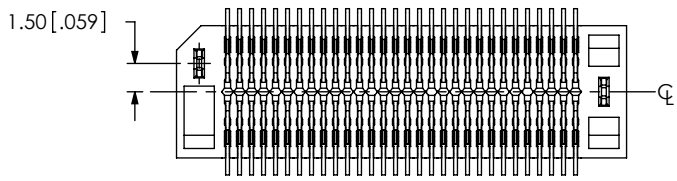
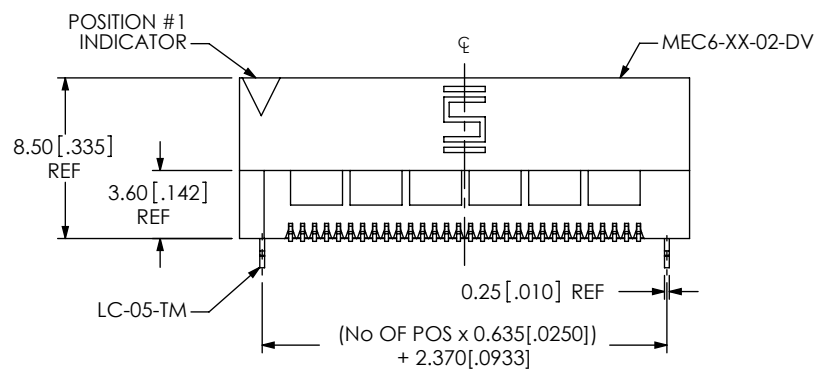
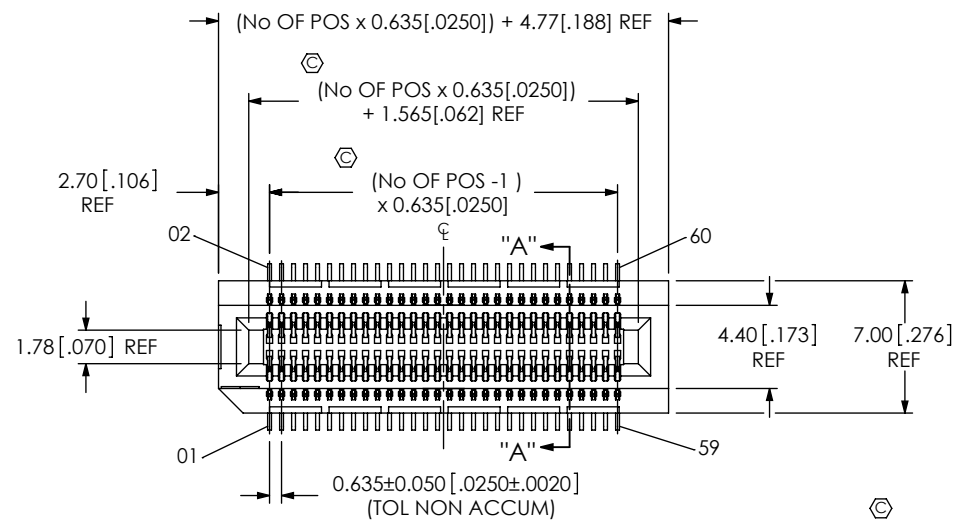


**DESIGNED & DIMENSIONED
IN MILLIMETERS
(INCHES FOR REFERENCE ONLY)**

DO NOT
SCALE FROM
THIS PRINT



MEC6-1XX-XX-X-DV-XX

No OF POSITIONS
-10, -20, -30, -40, -50, -60, -70

CARD THICKNESS
-02: 1.57mm [.062] THICK CARD

PLATING SPECIFICATION
-L: LIGHT SELECTIVE GOLD/MATTE TIN (USE C-182-02-L)
-S: SELECTIVE GOLD/MATTE TIN (USE C-182-02-S)

OPTION
-A: ALIGNMENT PINS (SEE FIG. 3) (USE MEC6-XX-XX-DV-A)
-LC: LOCKING CLIP (USE LC-05-TM)
-K: POLYIMIDE FILM PAD (USE K-DOT-.217-.313-.005) (SEE FIG. 4)
-TR: TAPE & REEL

ROW SPECIFICATION
-DV: DUAL VERTICAL (USE MEC6-XX-XX-DV)

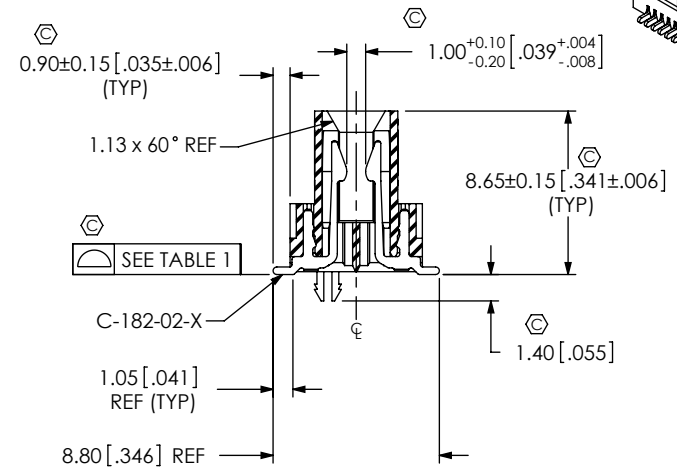
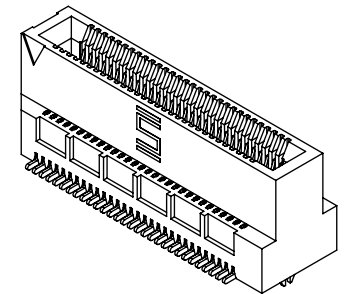


TABLE 1

No OF POS	COPLANARITY
-10 THRU -50	0.102 [.0040]
-60 & -70	0.152 [.0060]

FIG 1
-LC OPTION SHOWN
MEC6-130-02-X-DV-LC SHOWN
(FOR POSITIONS -10, -20, -30 & -40)

- NOTES:
1. Ⓢ REPRESENTS A CRITICAL DIMENSION.
 2. MAXIMUM BURR ALLOWANCE: 0.038[.0015].
 3. MINIMUM PUSHOUT FORCE: 2.22 N [.5 LB].
 4. PARTS TO BE PACKAGED IN TRAYS, UNLESS -TR OPTION IS SPECIFIED.

<p>UNLESS OTHERWISE SPECIFIED, DIMENSIONS ARE IN MILLIMETERS. TOLERANCES ARE: DECIMALS ANGLES .X: ± 0.3 [.01] 2° .XX: ± 0.13 [.005] .XXX: ± 0.051 [.0020]</p>	<p>PROPRIETARY NOTE THIS DOCUMENT CONTAINS INFORMATION CONFIDENTIAL AND PROPRIETARY TO SAMTEC, INC. AND SHALL NOT BE REPRODUCED OR TRANSFERRED TO OTHER DOCUMENTS OR DISCLOSED TO OTHERS OR USED FOR ANY PURPOSE OTHER THAN THAT WHICH IT WAS OBTAINED WITHOUT THE EXPRESSED WRITTEN CONSENT OF SAMTEC, INC.</p>	<p>samtec</p> <p>520 PARK EAST BLVD, NEW ALBANY, IN 47150 PHONE: 812-944-6733 FAX: 812-948-5047 e-Mail: info@SAMTEC.com code: 55322</p>	
		<p>DESCRIPTION: .635mm VERTICAL MOUNT MINI-EDGE CARD ASSEMBLY</p> <p>DWG. NO. MEC6-1XX-XX-X-DV-XX</p>	
<p>MATERIAL: DO NOT SCALE DRAWING SHEET SCALE: 1:0.4 INSULATOR: LCP, COLOR: BLACK CONTACT: PHOS BRONZE</p>		<p>BY: DEAN P 05/17/2005 SHEET 1 OF 2</p>	

F:\DWG\MISC\MKTG\MEC6-1XX-XX-X-DV-XX-MKT.SLDDRW

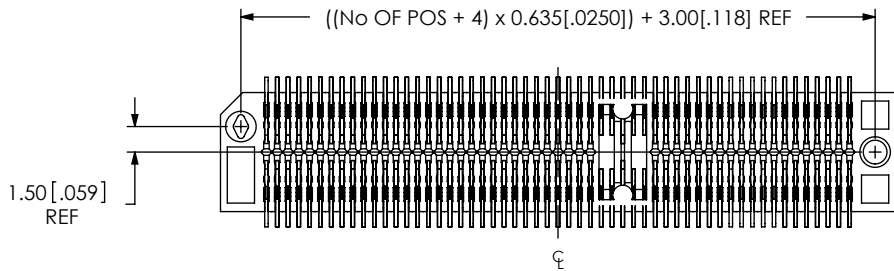
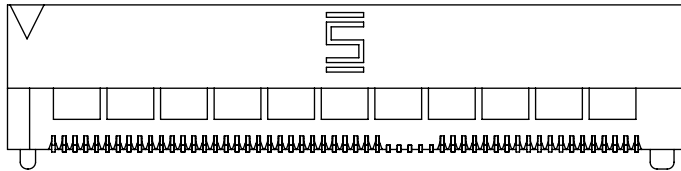
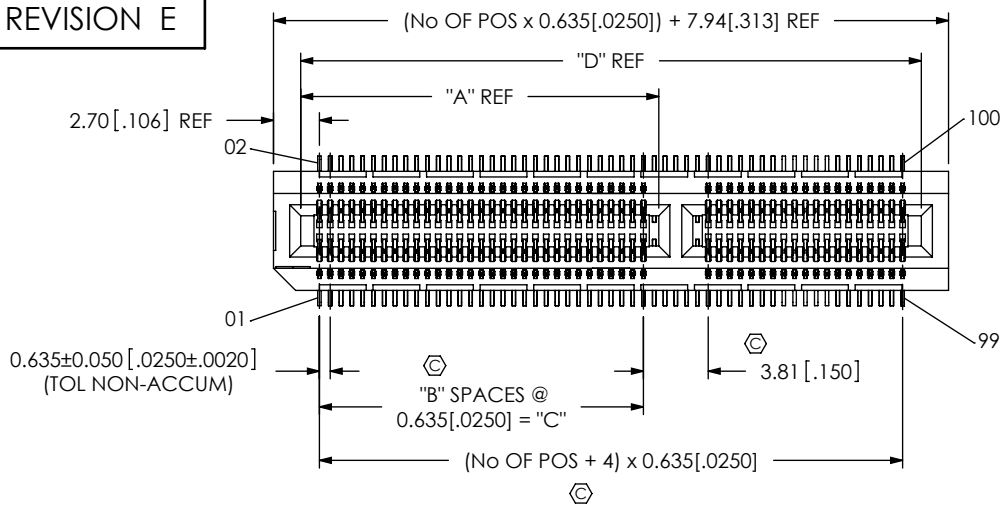
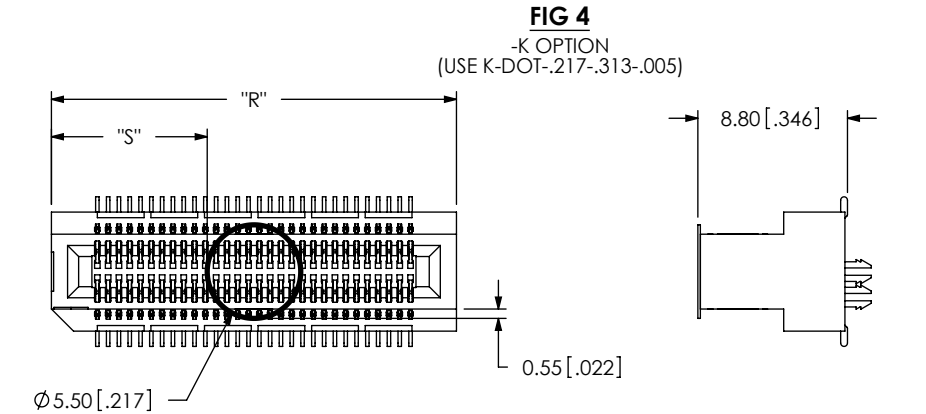
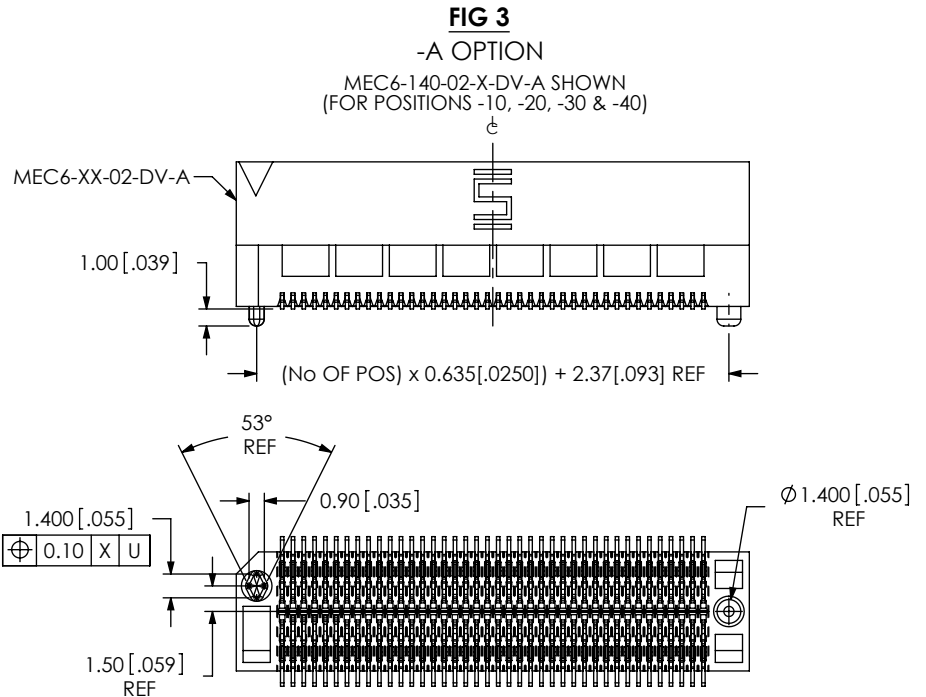


FIG 2

MEC6-150-02-X-DV-A SHOWN FOR POSITIONS -50 THRU 70 (SAME AS FIG 1, UNLESS OTHERWISE STATED)

No OF POS	"A" REF	"B"	"C"	"D" REF
-50	21.055[.8289]	30	19.050[.7500]	36.490[1.4366]
-60	24.865[.9789]	36	22.860[.9000]	42.840[1.6866]
-70	28.675[1.1289]	42	26.670[1.0500]	49.190[1.9366]



No OF POS	"R"	"S"
-10 THRU -40	(No OF POS x 0.635[.0250]) + 4.77[.188] REF	(("R" - 5.50[.217]) / 2) +/- 0.51[.020]
-50 THRU -70	(No OF POS x 0.635[.0250]) + 7.94[.313] REF	

PROPRIETARY NOTE
 THIS DOCUMENT CONTAINS INFORMATION CONFIDENTIAL AND PROPRIETARY TO SAMTEC, INC. AND SHALL NOT BE REPRODUCED OR TRANSFERRED TO OTHER DOCUMENTS OR DISCLOSED TO OTHERS OR USED FOR ANY PURPOSE OTHER THAN THAT WHICH IT WAS OBTAINED WITHOUT THE EXPRESSED WRITTEN CONSENT OF SAMTEC, INC.
 DO NOT SCALE DRAWING
 SHEET SCALE: 1:0.444444

samtec
 520 PARK EAST BLVD, NEW ALBANY, IN 47150
 PHONE: 812-944-6733 FAX: 812-948-5047
 e-Mail: info@SAMTEC.com code: 55322

DESCRIPTION:
 .635mm VERTICAL MOUNT MINI-EDGE CARD ASSEMBLY

DWG. NO.
MEC6-1XX-XX-X-DV-XX

BY: DEAN P 05/17/2005 SHEET 2 OF 2