

MATERIALS AND FINISHES

BODY ZINC ALLOY  
PLATED NICKEL

CENTER CONTACT PHOSPHOR BRONZE  
PLATED GOLD

INSULATOR POLYPROPYLENE

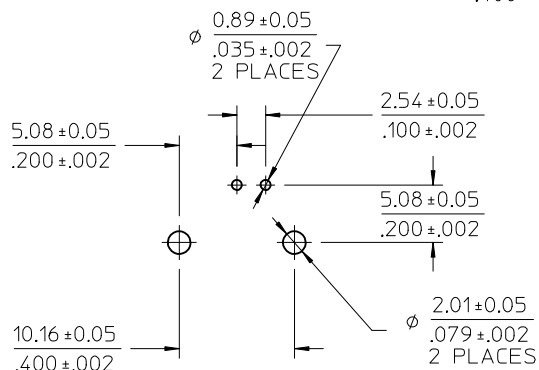
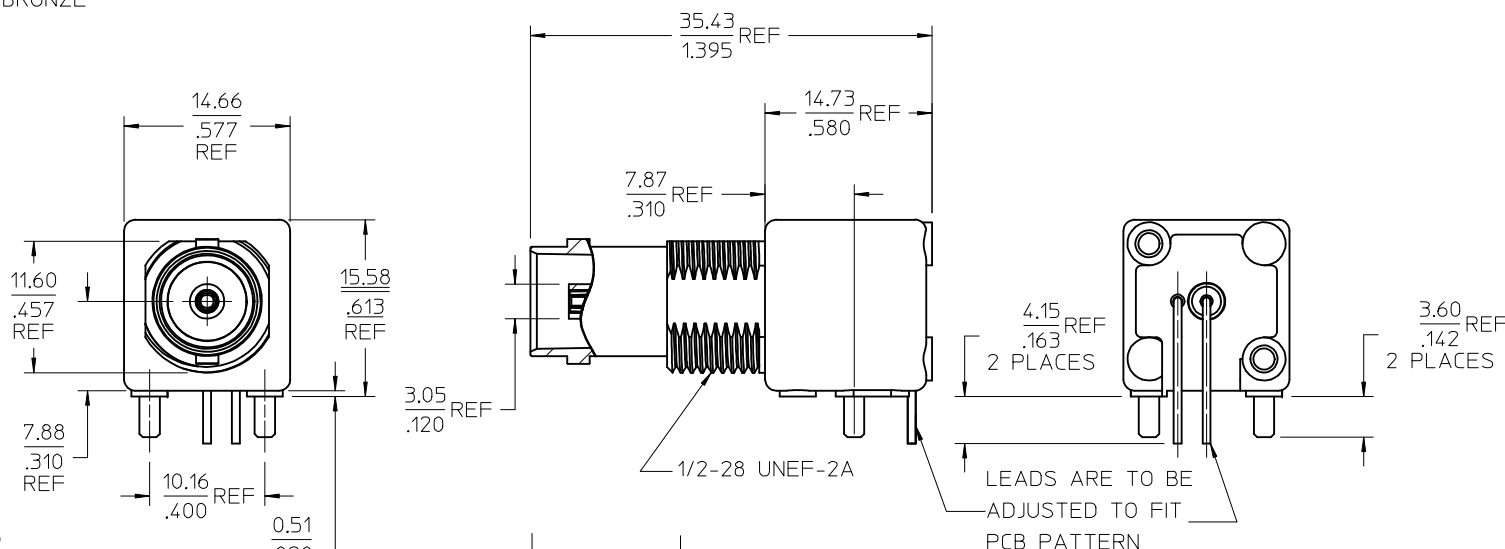
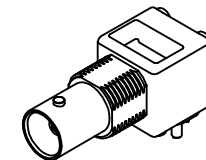
MOUNTING POST BRASS  
PLATED TIN

SOLDER TAIL STEEL  
PLATED TIN

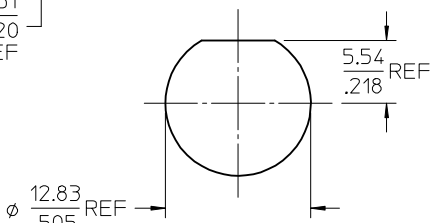
WASHER PHOSPHOR BRONZE  
PLATED NICKEL

JAM NUT BRASS  
PLATED NICKEL

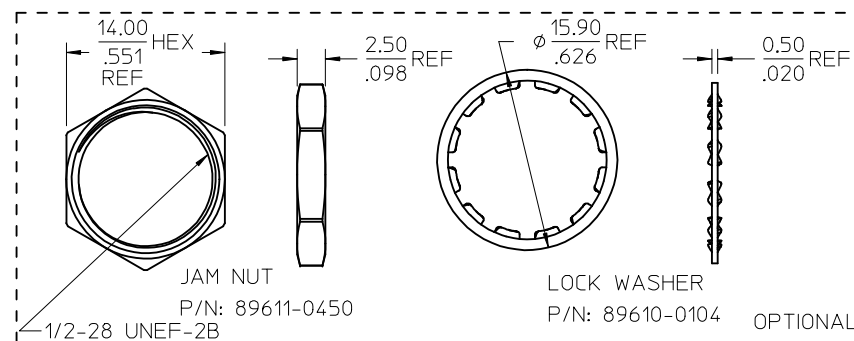
BNC JACK  
75 OHM  
INTERFACE



RECOMMENDED PCB HOLE



RECOMMENDED MOUNTING HOLE  
PANEL THICKNESS: 5.40(.213) MAX  
RECOMMENDED MOUNTING  
TORQUE: 1.36 N-m(12 INCH-LBS) MAX



PS-73598-0051	PRODUCT SPECIFICATION
SPECIFICATION	DESCRIPTION

73171-3021	TRAY PACK, WITHOUT JAM NUT AND LOCK WASHER
73171-3020	73100-0080, ONE PER BAG
73100-0080	TRAY PACK, WITH JAM NUT AND LOCK WASHER
PART NO.	PACKAGING/ DESCRIPTION

CHG: ADDED P/N FOR NUT & WASHER PER RF14-E066	EC NO: URF2014-0353	2013/12/09
	DRWN: CME102	2013/12/09
CHKD:	APPR: MHUANG	2013/12/31
REV: B4	DESCRIPTION	

QUALITY SYMBOLS	
DRAFT WHERE APPLICABLE MUST REMAIN WITHIN DIMENSIONS	

GENERAL TOLERANCES (UNLESS SPECIFIED)	DIMENSION STYLE MM/IN	SCALE	DESIGN UNITS METRIC	THIRD ANGLE PROJECTION
4 PLACES ± .005	mm	DRAWN BY DENG	DATE 1993/02/04	TITLE BNC JACK, R/A RECEPTACLE, 75 OHMS BNC-J/RA/PCB
3 PLACES ± .005	INCH	CHECKED BY	DATE	MOLEX INCORPORATED
2 PLACES ± .005		APPROVED BY KHW	DATE 1993/02/11	
1 PLACE ± .005		MATERIAL NO.	DOCUMENT NO.	SHEET NO.
ANGULAR ± 2°	SEE TABLE	SD-73100-0080		1 OF 1
THIS DRAWING CONTAINS INFORMATION THAT IS PROPRIETARY TO MOLEX INCORPORATED AND SHOULD NOT BE USED WITHOUT WRITTEN PERMISSION				