

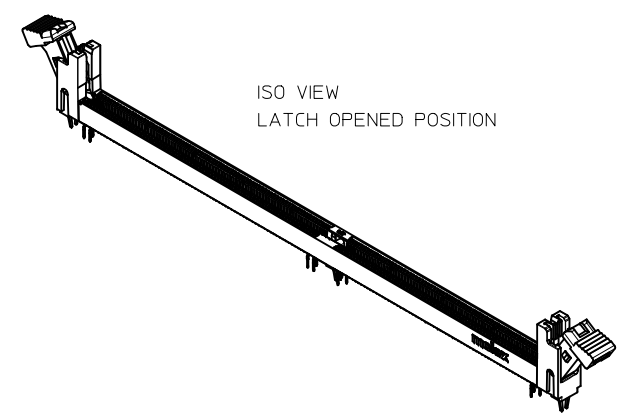
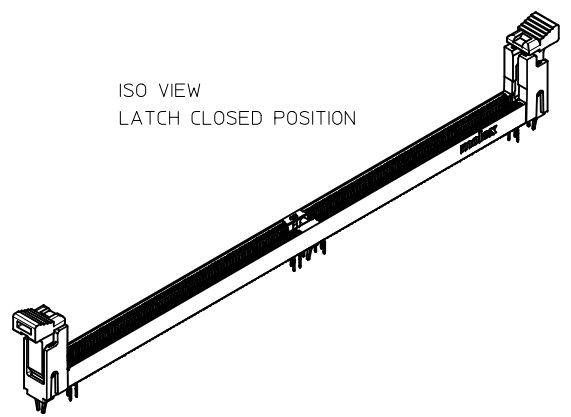
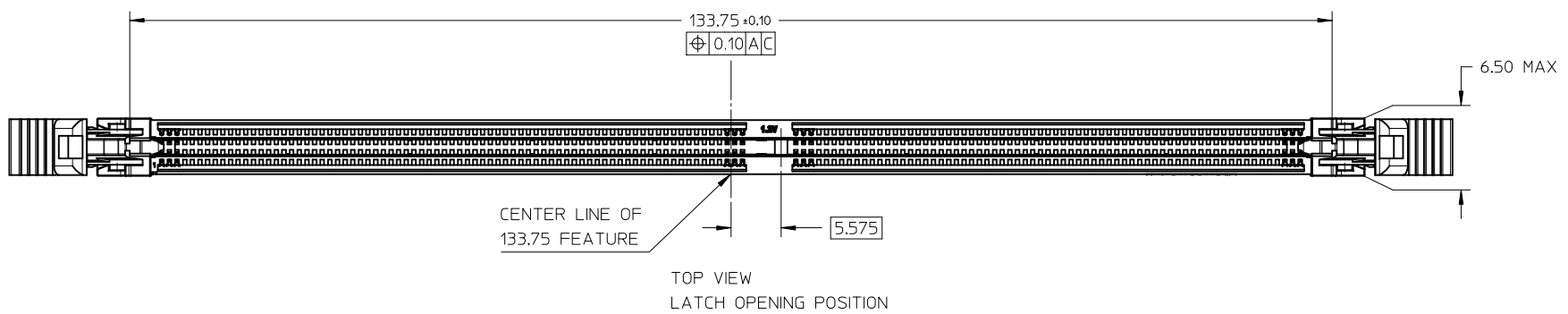
- NOTES:
- MATERIAL : HOUSING - HALOGEN FREE HIGH TEMP POLYAMIDE, GLASS FILLED, UL94V-0.
COLOUR : SEE TABLE ON SHEET 5.
LATCH - HALOGEN FREE HIGH TEMP POLYAMIDE, GLASS FILLED, UL94V-0.
COLOUR : SEE TABLE ON SHEET 5.
TERMINAL : COPPER ALLOY.
FORKLOCK: COPPER ALLOY.
 - FINISHES - SEE TABLE ON SHEET 5.
 - PRODUCT SPECIFICATION : SEE TABLE ON SHEET 5.
 - PACKAGING SPECIFICATION: PRODUCT SHALL BE PACKED IN TRAY, SEE SHEET 5
 - CARD SLOT ACCEPTS 1.40±0.10MM MODULE THICKNESS (MEASURED OVER P.C. PADS).

- 6. MOLEX LOGO, DATE & PART NO. INDICATED ON HOUSING.
- 7. MODULE SEATING PLANE.
- 8. KEEP OUT ZONE RESERVED FOR LATCH.
- 9. KEEP OUT AREA IS THE AREA WHERE THE CONNECTOR (INCLUDES LATCHES IN OPENING POSITION) IS MOUNTED ON THE PCB.

THIS DESIGN IS BASED ON DESIGN OBJECTIVES AND IS STRICTLY TENTATIVE. IT MAY CHANGE BASED ON RESULTS OF ADDITIONAL DESIGN REVIEWS AND VERIFICATIONS.

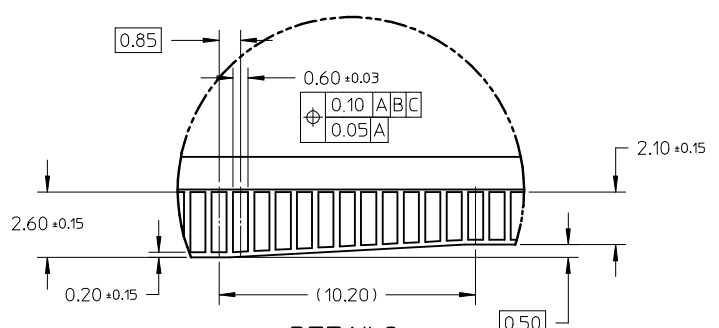
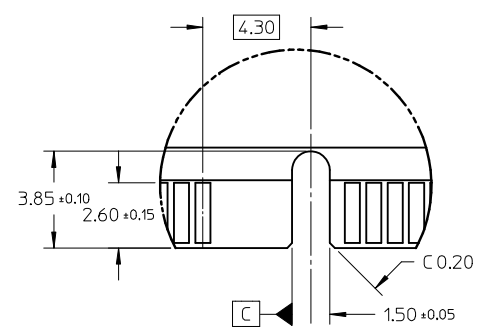
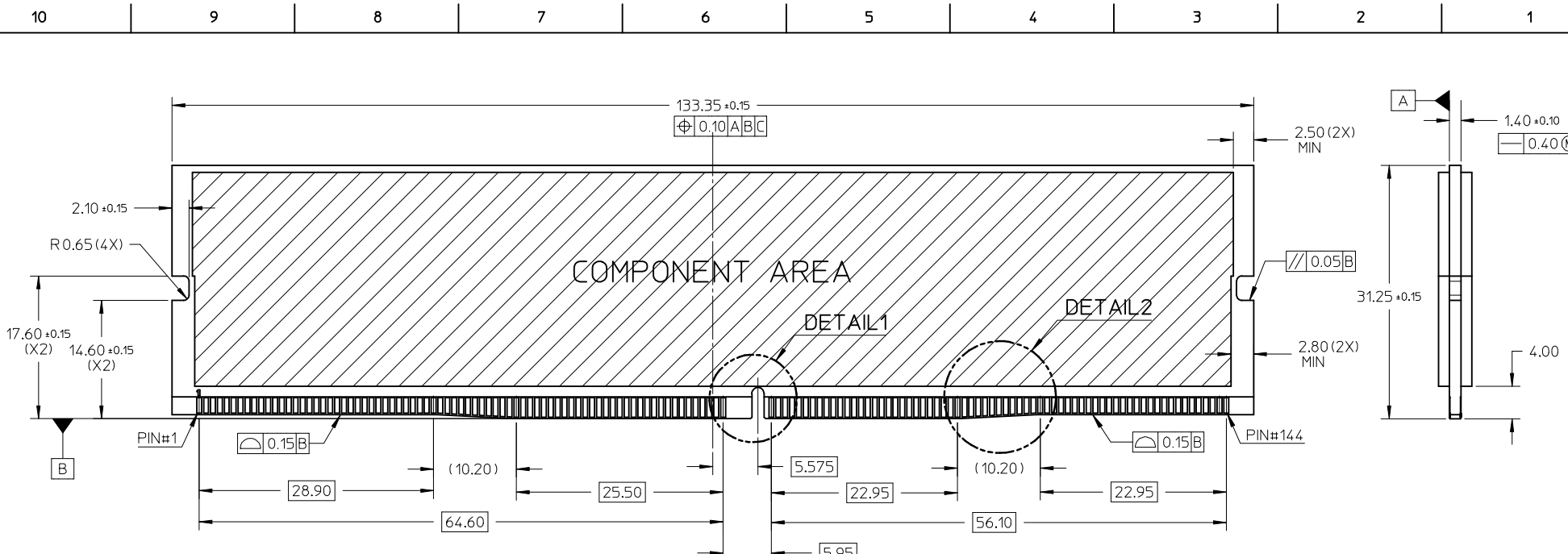
DEL 284CKTS IEC NO: S2014-0259 DRW:EKSOH 2013/08/22 CHKD:CGTAN 2013/10/30 APPR:SHLENI 2013/10/30	QUALITY SYMBOLS	GENERAL TOLERANCES (UNLESS SPECIFIED)		DIMENSION STYLE MM ONLY		SCALE NTS	DESIGN UNITS METRIC	THIRD ANGLE PROJECTION	
	$F_A=0$	4 PLACES	mm	INCH	DRAWN BY EKSOH	DATE 2012/03/08	TITLE DDR4 DIMM, 0.85MM PITCH 288CKTS, VERTICAL TH		
	$F_B=0$	3 PLACES	± ---	± ---	CHECKED BY CGTAN	DATE 2012/05/08			
	$F_C=0$	2 PLACES	± 0.20	± ---	APPROVED BY SHLENI	DATE 2012/07/13	DOCUMENT NO. SD-78726-002		
$F_D=0$	1 PLACE	± ---	± ---	MATERIAL NO. SEE TABLE		SHEET NO. 1 OF 6			
	0 PLACE	± ---	± ---	ANGULAR ± 3 °					THIS DRAWING CONTAINS INFORMATION THAT IS PROPRIETARY TO MOLEX INCORPORATED AND SHOULD NOT BE USED WITHOUT WRITTEN PERMISSION
	DRAFT WHERE APPLICABLE MUST REMAIN WITHIN DIMENSIONS		SIZE A3						

10 9 8 7 6 5 4 3 2 1



DEL 284CKTS IEC NO: S2014-0259 DRW: EKS0H 2013/08/22 CHKD: CGTAN 2013/10/30 APPR: SHLENI 2013/10/30	QUALITY SYMBOLS $\nabla_{\text{A}} = 0$ $\nabla_{\text{C}} = 0$ $\nabla_{\text{B}} = 0$	GENERAL TOLERANCES (UNLESS SPECIFIED) <table border="1"> <tr> <td></td> <td>mm</td> <td>INCH</td> </tr> <tr> <td>4 PLACES</td> <td>± ---</td> <td>± ---</td> </tr> <tr> <td>3 PLACES</td> <td>± ---</td> <td>± ---</td> </tr> <tr> <td>2 PLACES</td> <td>± 0.20</td> <td>± ---</td> </tr> <tr> <td>1 PLACE</td> <td>± ---</td> <td>± ---</td> </tr> <tr> <td>0 PLACE</td> <td>± ---</td> <td>± ---</td> </tr> </table>		mm	INCH	4 PLACES	± ---	± ---	3 PLACES	± ---	± ---	2 PLACES	± 0.20	± ---	1 PLACE	± ---	± ---	0 PLACE	± ---	± ---	DIMENSION STYLE MM ONLY	SCALE NTS	DESIGN UNITS METRIC	⊗ ◁ THIRD ANGLE PROJECTION
		mm	INCH																					
	4 PLACES	± ---	± ---																					
	3 PLACES	± ---	± ---																					
2 PLACES	± 0.20	± ---																						
1 PLACE	± ---	± ---																						
0 PLACE	± ---	± ---																						
DESCRIPTION DEL 284CKTS	DRAWN BY EKS0H	DATE 2012/03/08	TITLE DDR4 DIMM, 0.85MM PITCH 288CKTS, VERTICAL TH																					
REV 7	CHECKED BY CGTAN	DATE 2012/05/08	molex																					
	APPROVED BY SHLENI	DATE 2012/07/13	MATERIAL NO. SEE TABLE	DOCUMENT NO. SD-78726-002	SHEET NO. 2 OF 6																			

9 8 7 6 5 4 3 2 1

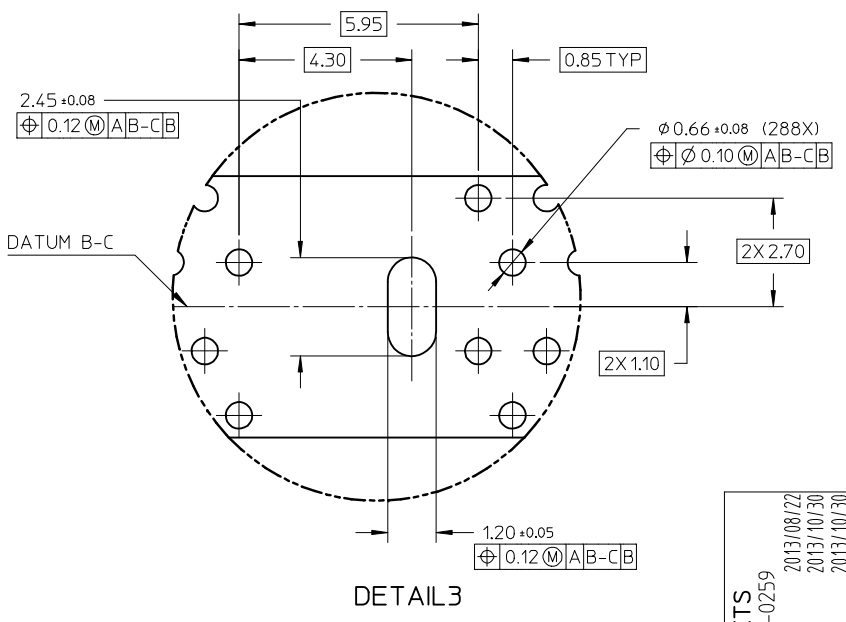
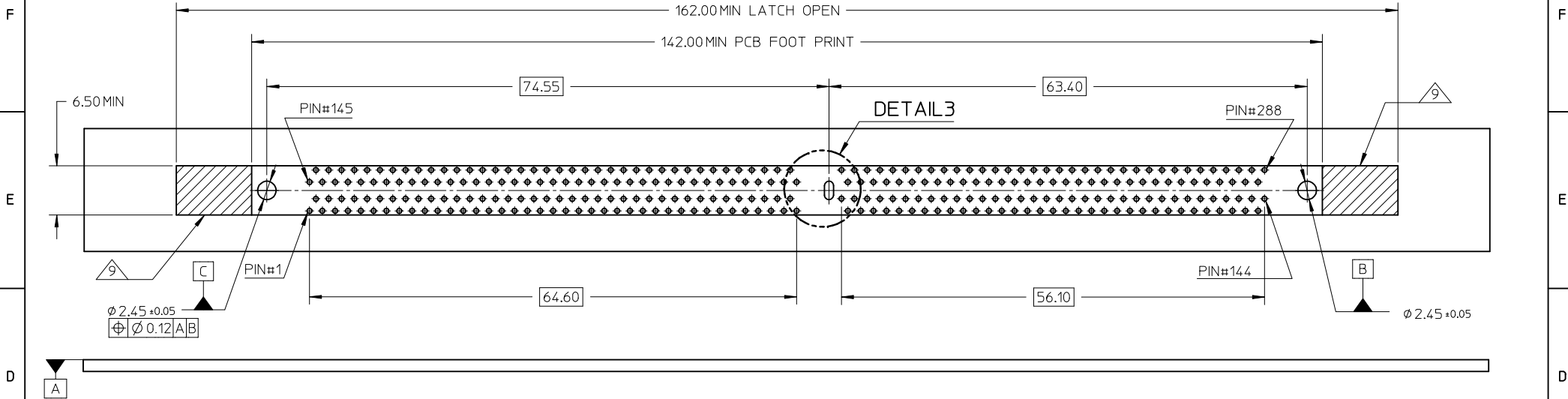


DETAIL 1

DETAIL 2

DEL 284CKTS EC NO: S2014-0259 7 DRW: EKS0H CHKD: CGTAN APPR: SHLENI	2013/08/22 2013/10/30 2013/10/30	QUALITY SYMBOLS $F_{\Delta} = 0$ $F_{\Delta} = 0$ $F_{\Delta} = 0$	GENERAL TOLERANCES (UNLESS SPECIFIED)		DIMENSION STYLE MM ONLY		SCALE NTS	DESIGN UNITS METRIC	THIRD ANGLE PROJECTION		
			4 PLACES	± ---	± ---	DRAWN BY	DATE	TITLE			
			3 PLACES	± ---	± ---	EKS0H	2012/03/08	DDR4 DIMM, 0.85MM PITCH 288CKTS, VERTICAL TH			
2 PLACES	± 0.20	± ---	CHECKED BY	DATE							
1 PLACE	± ---	± ---	CGTAN	2012/05/08							
0 PLACE	± ---	± ---	APPROVED BY	DATE	MATERIAL NO.		DOCUMENT NO.		SHEET NO.		
			SHLENI	2012/07/13	SEE TABLE		SD-78726-002		3 OF 6		
DRAFT WHERE APPLICABLE MUST REMAIN WITHIN DIMENSIONS			ANGULAR ± 3 °		THIS DRAWING CONTAINS INFORMATION THAT IS PROPRIETARY TO MOLEX INCORPORATED AND SHOULD NOT BE USED WITHOUT WRITTEN PERMISSION						

10 9 8 7 6 5 4 3 2 1



DEL 284CKTS EC NO: S2014-0259 DRW: EKSOH 2013/08/22 CHK'D: CGTAN 2013/10/30 APPR: SHLENI 2013/10/30	QUALITY SYMBOLS	GENERAL TOLERANCES (UNLESS SPECIFIED)		DIMENSION STYLE	SCALE	DESIGN UNITS	THIRD ANGLE PROJECTION
	$\nabla_A = 0$			MM ONLY	NTS	METRIC	
	$\nabla_C = 0$	4 PLACES	mm	INCH	DRAWN BY	DATE	TITLE
	$\nabla_B = 0$	3 PLACES	± ---	± ---	EKSOH	2012/03/08	DDR4 DIMM, 0.85MM PITCH 288CKTS, VERTICAL TH
	2 PLACES	± 0.20	± ---	CHECKED BY	DATE		
	1 PLACE	± ---	± ---	CGTAN	2012/05/08		
	0 PLACE	± ---	± ---	APPROVED BY	DATE		
		ANGULAR ± 3 °		SHLENI	2012/07/13		
		DRAFT WHERE APPLICABLE MUST REMAIN WITHIN DIMENSIONS		MATERIAL NO.		DOCUMENT NO.	SHEET NO.
				SEE TABLE		SD-78726-002	4 OF 6
				SIZE A3	THIS DRAWING CONTAINS INFORMATION THAT IS PROPRIETARY TO MOLEX INCORPORATED AND SHOULD NOT BE USED WITHOUT WRITTEN PERMISSION		

9 8 7 6 5 4 3 2 1

CKT SIZE	ASSEMBLY PART NO.	HOUSING COLOUR	LATCH COLOUR	DIM*P*	RECOMMENDED PCB THICKNESS	PLATING OPTION		PRODUCT SPEC. NO.	PACKAGING SPEC. NO.
						TERMINAL	FORKLOCK		
288	78726-1051	BLACK	BLACK	2.10	1.57	0.76µM/30µN MIN GOLD ON CONTACT	1µM/40µN MIN TIN OVERALL (PRE-PLATED)	PS-78726-001	PK-78726-001
	78726-1039			2.40	1.57				
	78726-1002			2.67	1.57				
	78726-1003			3.18	2.36				
	78726-1026			3.50	3.00				
	78726-1052	BLACK	OFF-WHITE	2.10	1.57				
	78726-1040			2.40	1.57				
	78726-1004			2.67	1.57				
	78726-1005			3.18	2.36				
	78726-1027			3.50	3.00				
	78726-1053	OFF-WHITE	BLACK	2.10	1.57				
	78726-1041			2.40	1.57				
	78726-1006			2.67	1.57				
	78726-1007			3.18	2.36				
	78726-1028			3.50	3.00				
	78726-1054	OFF-WHITE	OFF-WHITE	2.10	1.57				
	78726-1042			2.40	1.57				
	78726-1008			2.67	1.57				
	78726-1009			3.18	2.36				
	78726-1029			3.50	3.00				
	78726-1055	BLUE	BLUE	2.10	1.57				
	78726-1043			2.40	1.57				
	78726-1010			2.67	1.57				
	78726-1011			3.18	2.36				
	78726-1030			3.50	3.00				
	78726-1056	BLUE	OFF-WHITE	2.10	1.57				
	78726-1044			2.40	1.57				
	78726-1022			2.67	1.57				
78726-1023	3.18			2.36					
78726-1031	3.50			3.00					

DEL 284CKTS EC NO: S2014-0259 DRW:KSOH 2013/08/22 CHKD:CGTAN 2013/10/30 APPR:SHLENI 2013/10/30	QUALITY SYMBOLS	GENERAL TOLERANCES (UNLESS SPECIFIED)	DIMENSION STYLE	SCALE	DESIGN UNITS	THIRD ANGLE PROJECTION
	$F_A=0$ $F_G=0$ $F_P=0$	mm INCH	MM ONLY	NTS	METRIC	
		4 PLACES ± --- ± ---	DRAWN BY DATE	TITLE		
		3 PLACES ± --- ± ---	EFLEE 2012/03/08	DDR4 DIMM, 0.85MM PITCH		
		2 PLACES ± 0.20 ± ---	CHECKED BY DATE	288CKTS, VERTICAL TH		
		1 PLACE ± --- ± ---	CGTAN 2012/05/08			
		0 PLACE ± --- ± ---	APPROVED BY DATE			
	ANGULAR ± 3 °	SHLENI 2012/07/13				
	DRAFT WHERE APPLICABLE MUST REMAIN WITHIN DIMENSIONS	MATERIAL NO.	SEE TABLE	DOCUMENT NO.	SD-78726-002	
		SIZE	A3	THIS DRAWING CONTAINS INFORMATION THAT IS PROPRIETARY TO MOLEX INCORPORATED AND SHOULD NOT BE USED WITHOUT WRITTEN PERMISSION		

CKT SIZE	ASSEMBLY PART NO.	HOUSING COLOUR	LATCH COLOUR	DIM*P*	RECOMMENDED PCB THICKNESS	PLATING OPTION		PRODUCT SPEC. NO.	PACKAGING SPEC. NO.
						TERMINAL	FORKLOCK		
288	78726-1057	BLACK	BLACK	2.10	1.57	0.38µM/15µN MIN GOLD ON CONTACT	1µM/40µN MIN TIN OVERALL (PRE-PLATED)	PS-78726-002	PK-78726-001
	78726-1045			2.40	1.57				
	78726-1012			2.67	1.57				
	78726-1013			3.18	2.36				
	78726-1032			3.50	3.00				
	78726-1058			2.10	1.57				
	78726-1046	2.40	1.57						
	78726-1014	BLACK	OFF-WHITE	2.67	1.57				
	78726-1015			3.18	2.36				
	78726-1033			3.50	3.00				
	78726-1059	OFF-WHITE	BLACK	2.10	1.57				
	78726-1047			2.40	1.57				
	78726-1016			2.67	1.57				
	78726-1017			3.18	2.36				
	78726-1034	OFF-WHITE	OFF-WHITE	3.50	3.00				
	78726-1060			2.10	1.57				
	78726-1048			2.40	1.57				
	78726-1018			2.67	1.57				
	78726-1019			3.18	2.36				
	78726-1035			3.50	3.00				
	78726-1061	BLUE	BLUE	2.10	1.57				
	78726-1049			2.40	1.57				
	78726-1020			2.67	1.57				
	78726-1021			3.18	2.36				
	78726-1036			3.50	3.00				
	78726-1062			2.10	1.57				
	78726-1050	BLUE	OFF-WHITE	2.40	1.57				
	78726-1024			2.67	1.57				
	78726-1025			3.18	2.36				
	78726-1037			3.50	3.00				

DEL 284CKTS EC NO: S2014-0259 DRW:KSOH 2013/08/22 CHKD:CGTAN 2013/10/30 APPR:SHLENI 2013/10/30	QUALITY SYMBOLS $F_A=0$ $F_G=0$ $F_P=0$	GENERAL TOLERANCES (UNLESS SPECIFIED)		DIMENSION STYLE MM ONLY	SCALE NTS	DESIGN UNITS METRIC	THIRD ANGLE PROJECTION		
		4 PLACES ± --- ± ---	3 PLACES ± --- ± ---	DRAWN BY EFLEE	DATE 2012/03/08	TITLE DDR4 DIMM, 0.85MM PITCH 288CKTS, VERTICAL TH			
		2 PLACES ± 0.20 ± ---	1 PLACE ± --- ± ---	CHECKED BY CGTAN	DATE 2012/05/08	APPROVED BY SHLENI			
		0 PLACE ± --- ± ---	ANGULAR ± 3 °	MATERIAL NO. SEE TABLE	DATE 2012/07/13	DOCUMENT NO. SD-78726-002		SHEET NO. 6 OF 6	
DRAFT WHERE APPLICABLE MUST REMAIN WITHIN DIMENSIONS	SIZE A3	THIS DRAWING CONTAINS INFORMATION THAT IS PROPRIETARY TO MOLEX INCORPORATED AND SHOULD NOT BE USED WITHOUT WRITTEN PERMISSION							