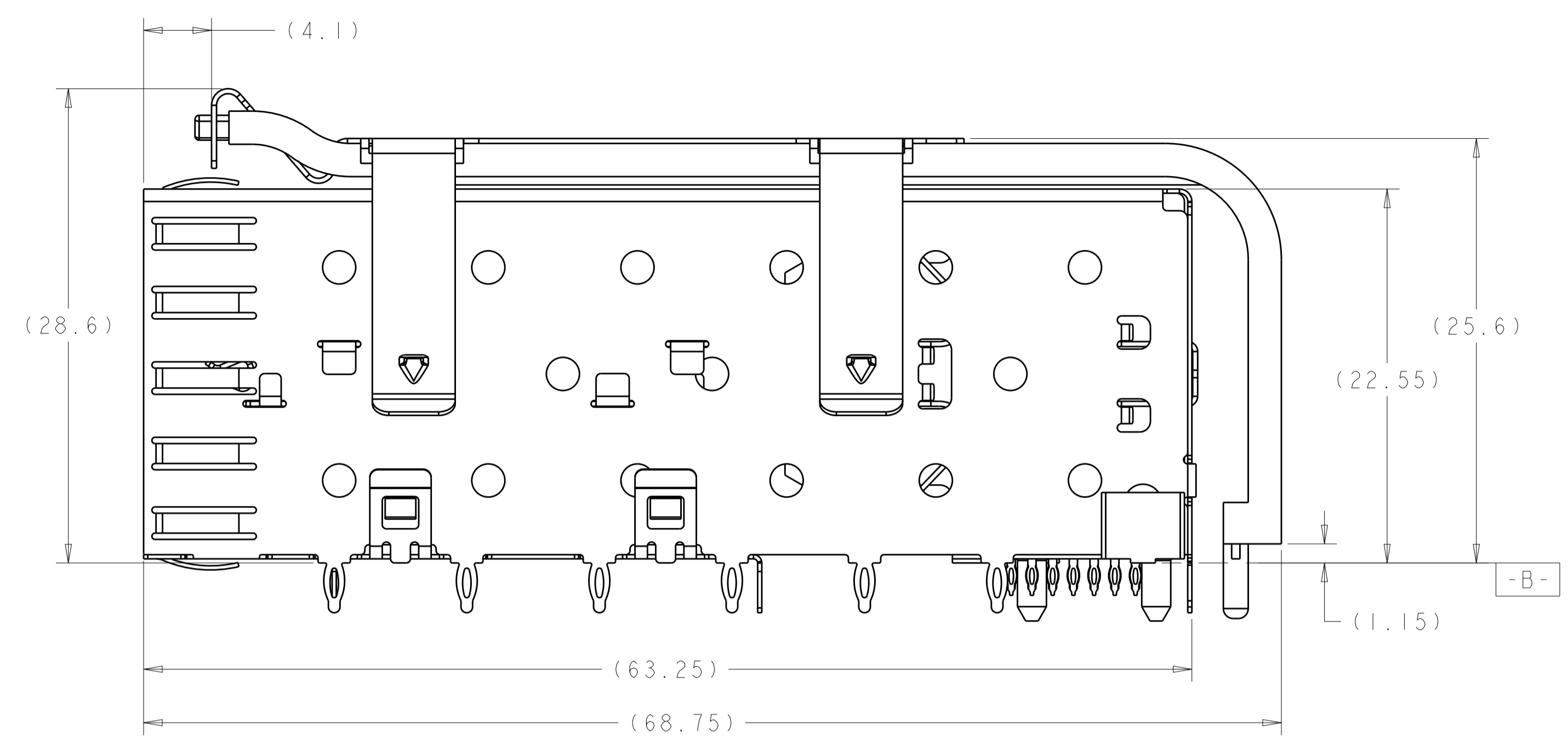
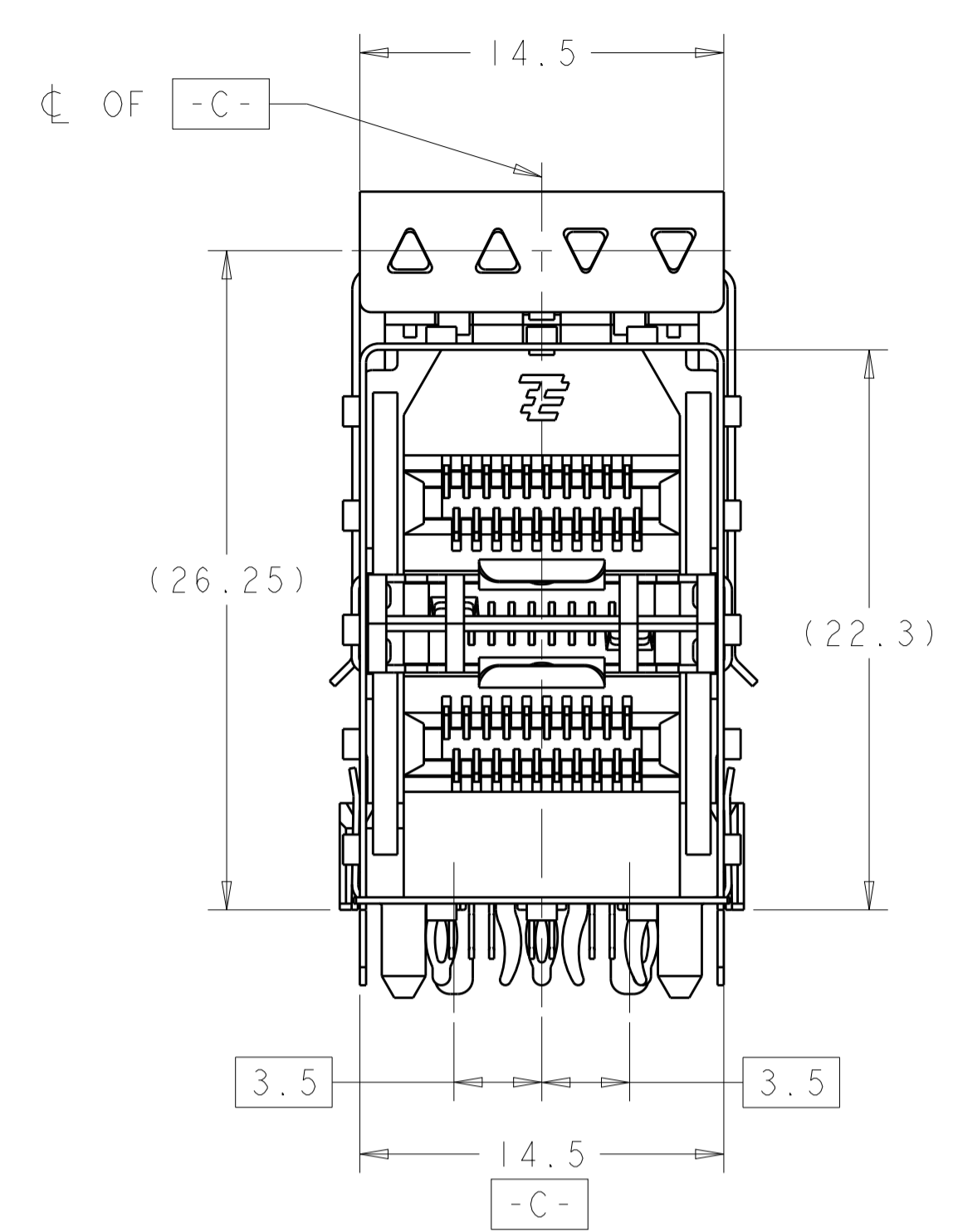
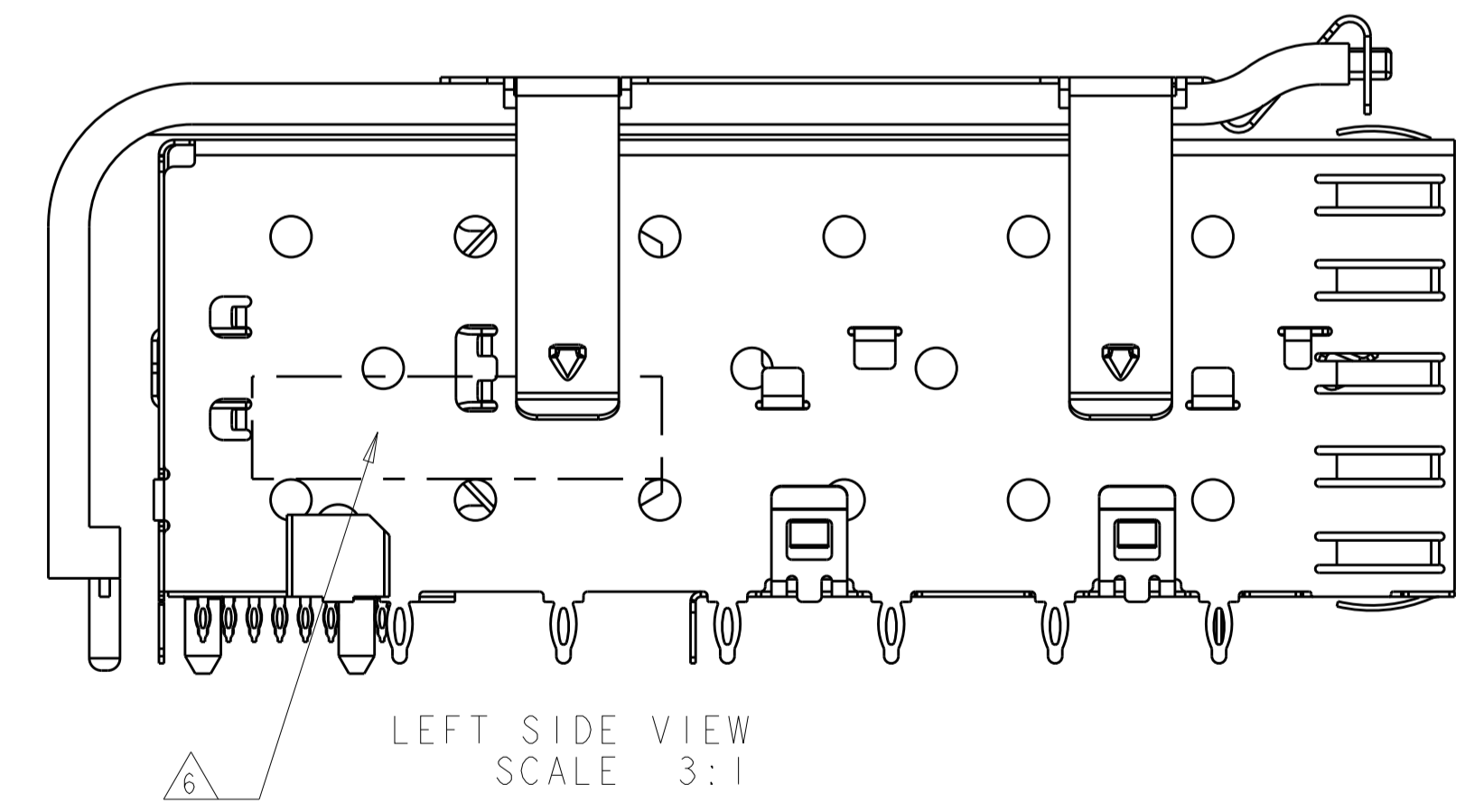
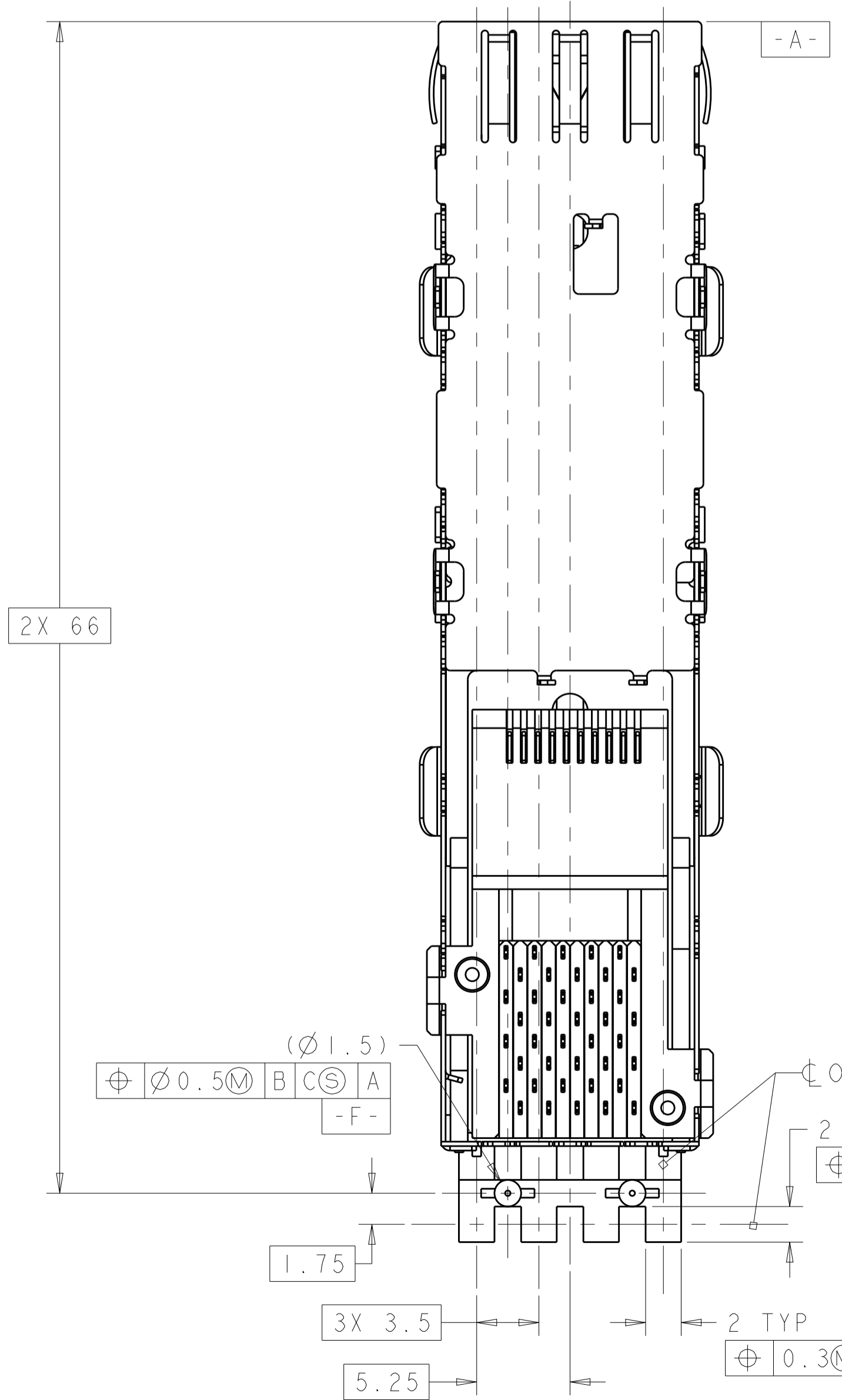


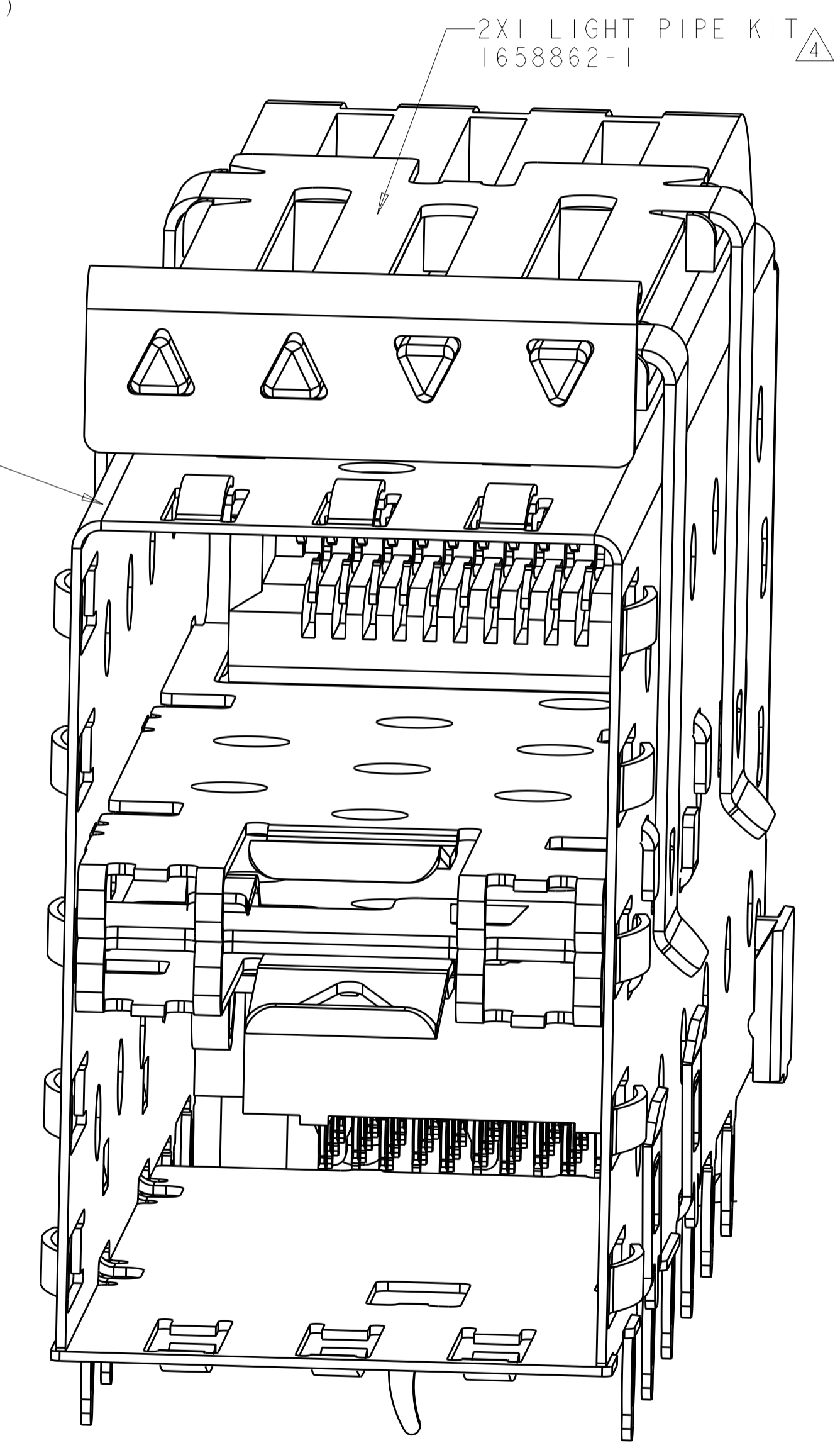
LOC	DIST	REVISIONS					
ES	00	P.	LTN	DESCRIPTION	DATE	DWN	APVD
		C		REVISED PER ECR-07-018402	29DEC2007	SL	SY
		C1		REVISED ECR-08-013764	04JUN08	AZ	SY
		D		REVISED PER ECO-10-023688	25NOV2010	JY	CW
		F		REVISED PER ECO-14-000886	20FEB2014	JW	SH



- 1. DATUM AND BASIC DIMENSION TO BE DETERMINED BY CUSTOMER
- 2. DATUM C APPLIES OVER ENTIRE DIMENSION
- 3. INTERPRETATION OF DATUM REFERENCE FRAME IN ACCORDANCE WITH SECT 4.4.1.1 OF ASME Y14.5M-1994
- 4. LIGHT PIPE KIT SUPPLIED SEPARATLY, KIT TO BE ATTACHED AFTER SEATING OF 1658628-1 ON BOARD
- 5. CONNECTOR ASSEMBLY CONSISTS OF LIGHT PIPE ASSEMBLY AND STACKED CAGE ASSEMBLY, SUPPLIED UNASSEMBLED.
- 6. DATE CODE AND PART NUMBER IN APPROXIMATE AREA SHOWN. LABEL ON CAGE ASSEMBLY WILL HAVE PART NUMBER 1658628-1.



2X1 STACKED SFP
CAGE ASSEMBLY
1658628-1

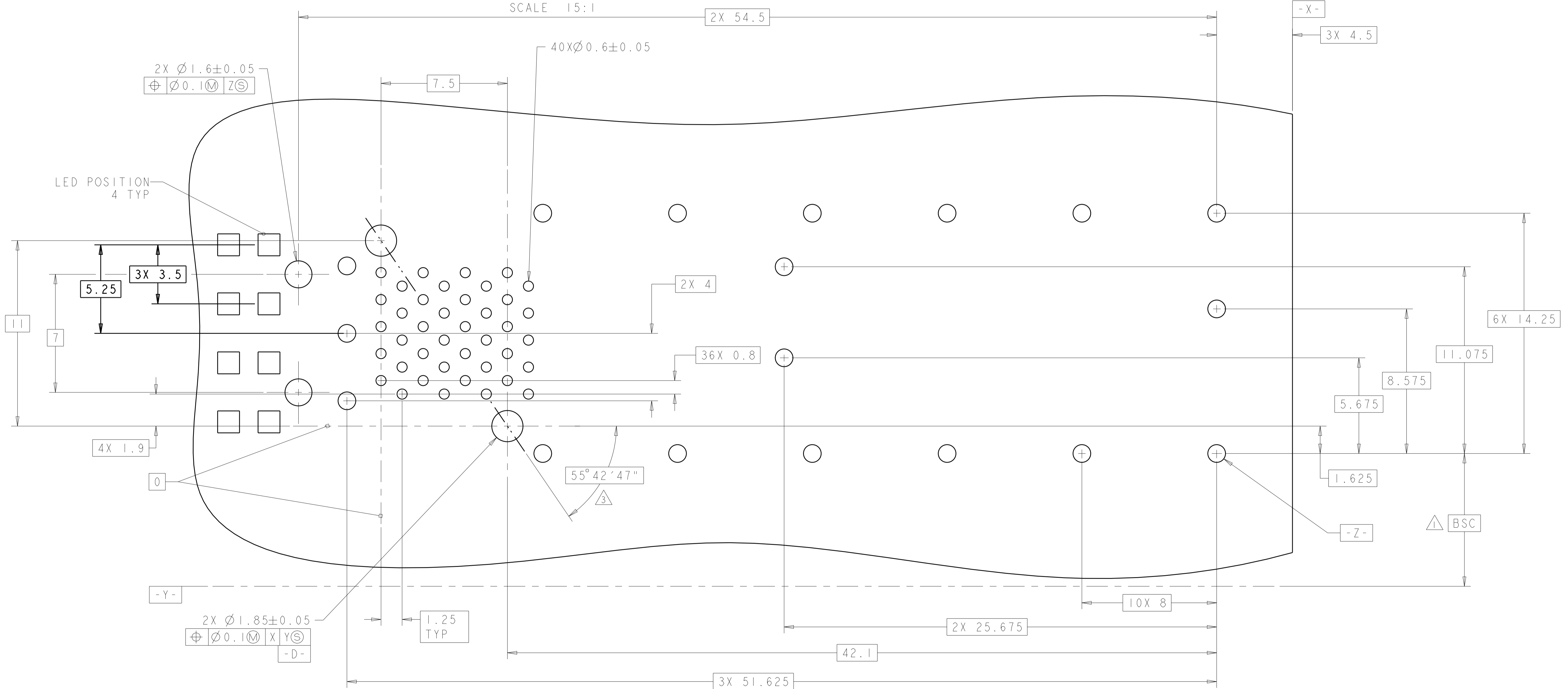
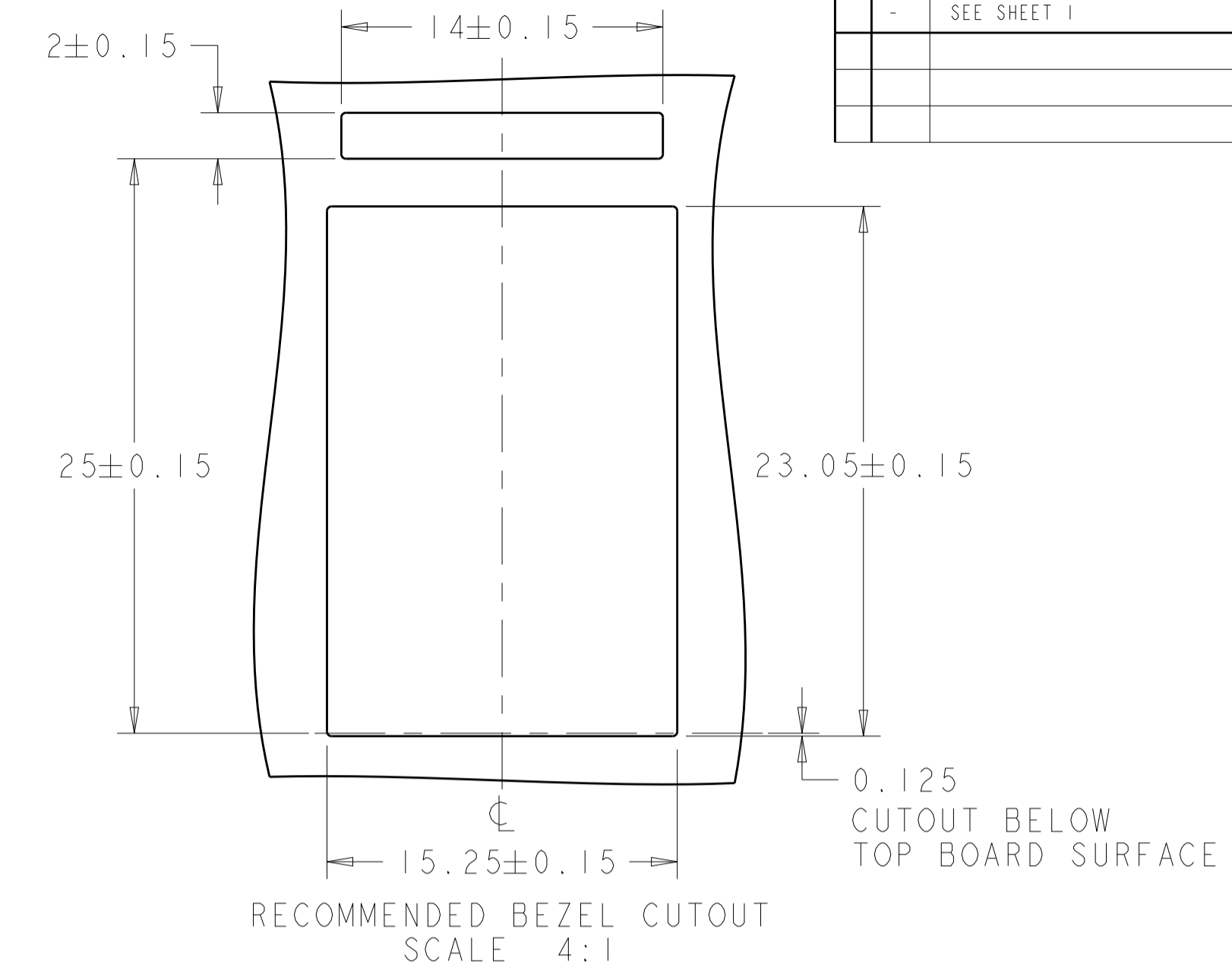
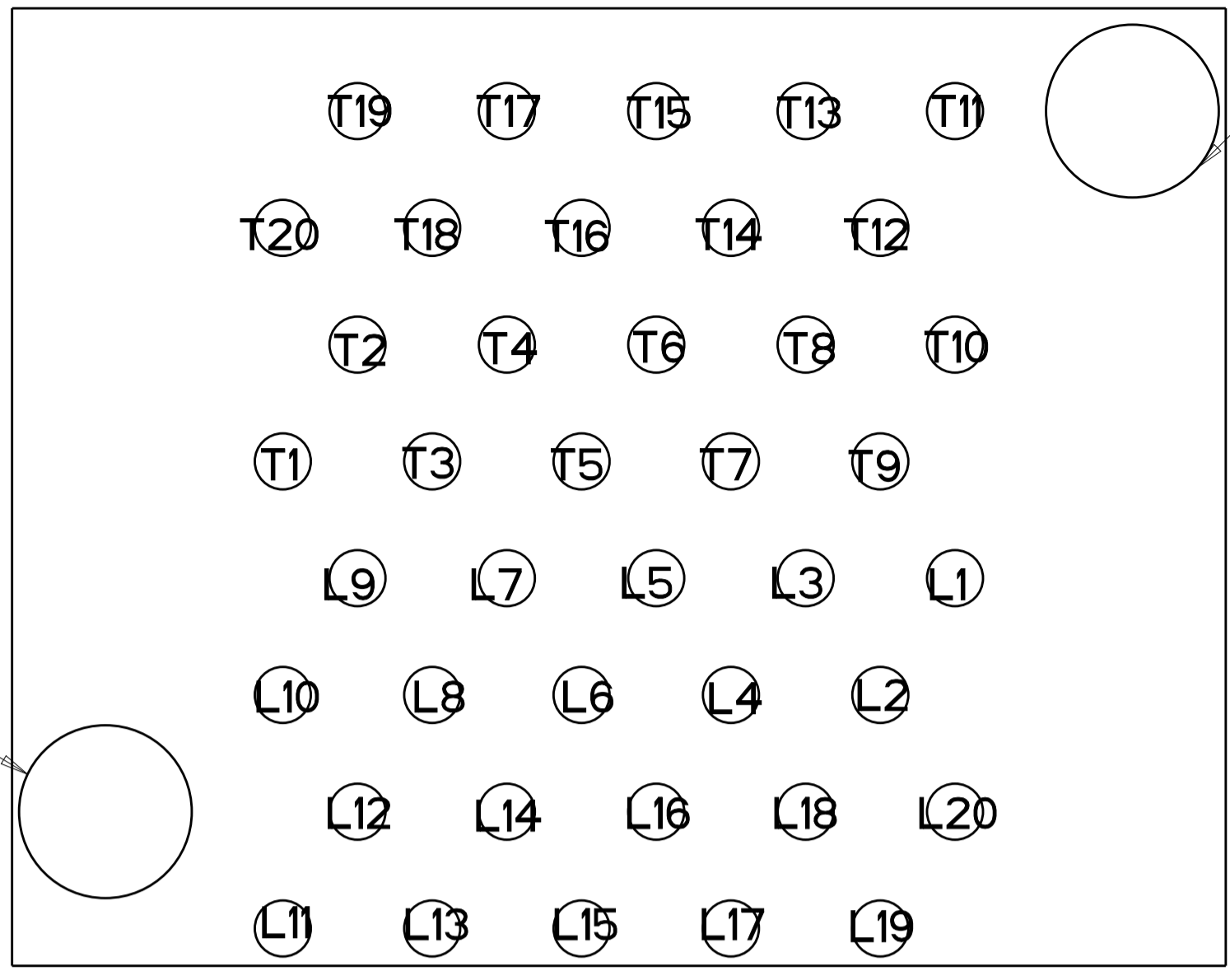


1658859-1
SCALE 8:1

1658859-1
PART NUMBER

THIS DRAWING IS A CONTROLLED DOCUMENT.		DWN M. E. CONNER 17SEP2003	TE Connectivity
DIMENSIONS:		CHK R. R. HENRY 17SEP2003	
mm	TOLERANCES UNLESS OTHERWISE SPECIFIED:	APVD R. R. HENRY 17SEP2003	NAME 2X1 CONNECTOR ASSEMBLY, STACKED SFP WITH LIGHT PIPE ASSEMBLY LOW PROFILE, PRESS FIT
0 PLC ±0.25 1 PLC ±0.25 2 PLC ±0.1 3 PLC ±0.1 4 PLC ±0.1 ANGLES ±°	0.3M B F S C S 2 TYP 0.3M B F S C S	PRODUCT SPEC 108-2161 APPLICATION SPEC 114-13103 WEIGHT A1 CUSTOMER DRAWING	
MATERIAL	FINISH	SIZE CAGE CODE DRAWING NO SCALE 4:1	SHEET 1 OF 2 REV F

LOC		DIST		REVISIONS			
ES	00	P	LTN	DESCRIPTION	DATE	DMN	APVD
-	-	-	-	SEE SHEET 1	-	-	-



THIS DRAWING IS A CONTROLLED DOCUMENT.		DMN: M.E. CONNER 17SEP2003	TE Connectivity
DIMENSIONS: mm		CHK: R.R. HENRY 17SEP2003	
TOLERANCES UNLESS OTHERWISE SPECIFIED:		APVD: R.R. HENRY 17SEP2003	NAME: 2X1 CONNECTOR ASSEMBLY STACKED SFP WITH LIGHT PIPE ASSEMBLY LOW PROFILE, PRESS FIT SIZE: A1 CAGE CODE: 1658859 SCALE: 2:1 SHEET 2 OF 2 REV F
0 PLC ±0.25		PRODUCT SPEC: 108-2161	
1 PLC ±0.25		APPLICATION SPEC: 114-13103	
2 PLC ±0.1		WEIGHT: -	
3 PLC ±0.1		FINISH: -	CUSTOMER DRAWING
4 PLC ±0.1		ANGLES: -	
5 PLC ±0.1			
6 PLC ±0.1			
7 PLC ±0.1			
8 PLC ±0.1			
9 PLC ±0.1			
10 PLC ±0.1			
11 PLC ±0.1			
12 PLC ±0.1			
13 PLC ±0.1			
14 PLC ±0.1			
15 PLC ±0.1			
16 PLC ±0.1			
17 PLC ±0.1			
18 PLC ±0.1			
19 PLC ±0.1			
20 PLC ±0.1			