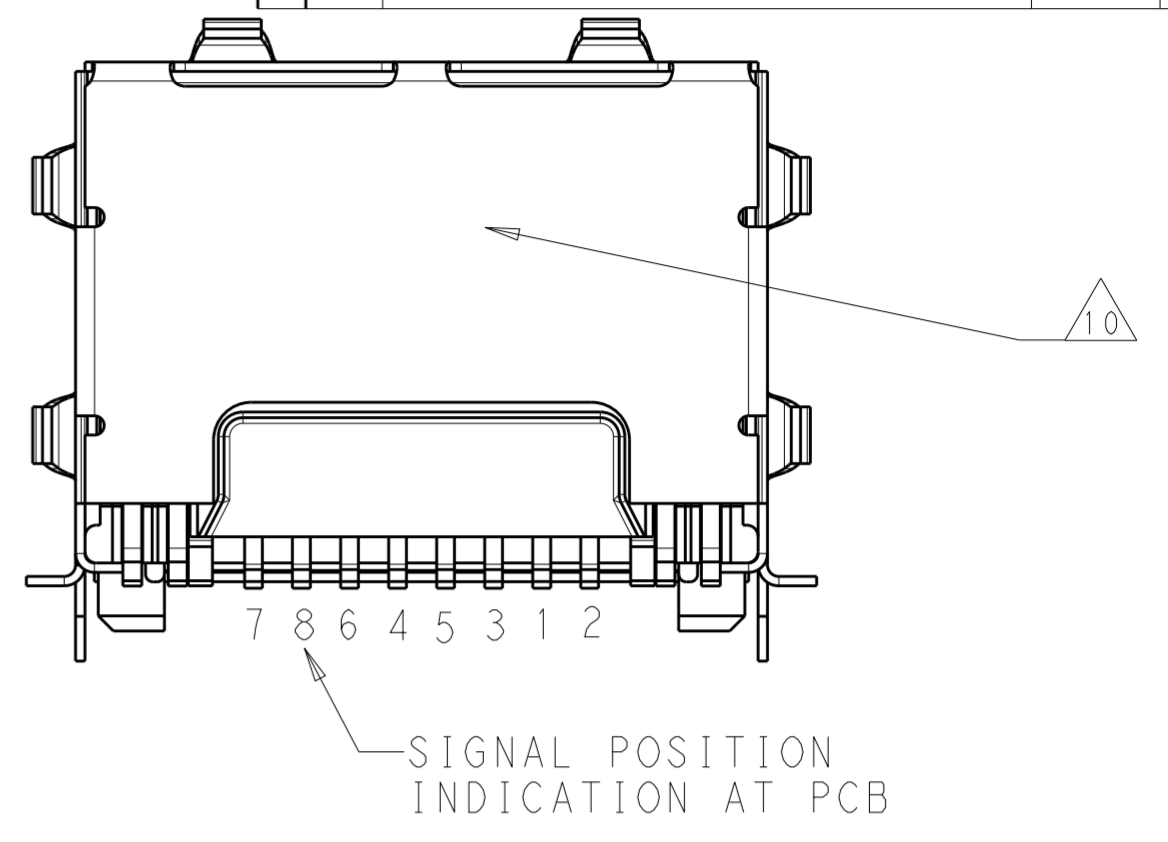
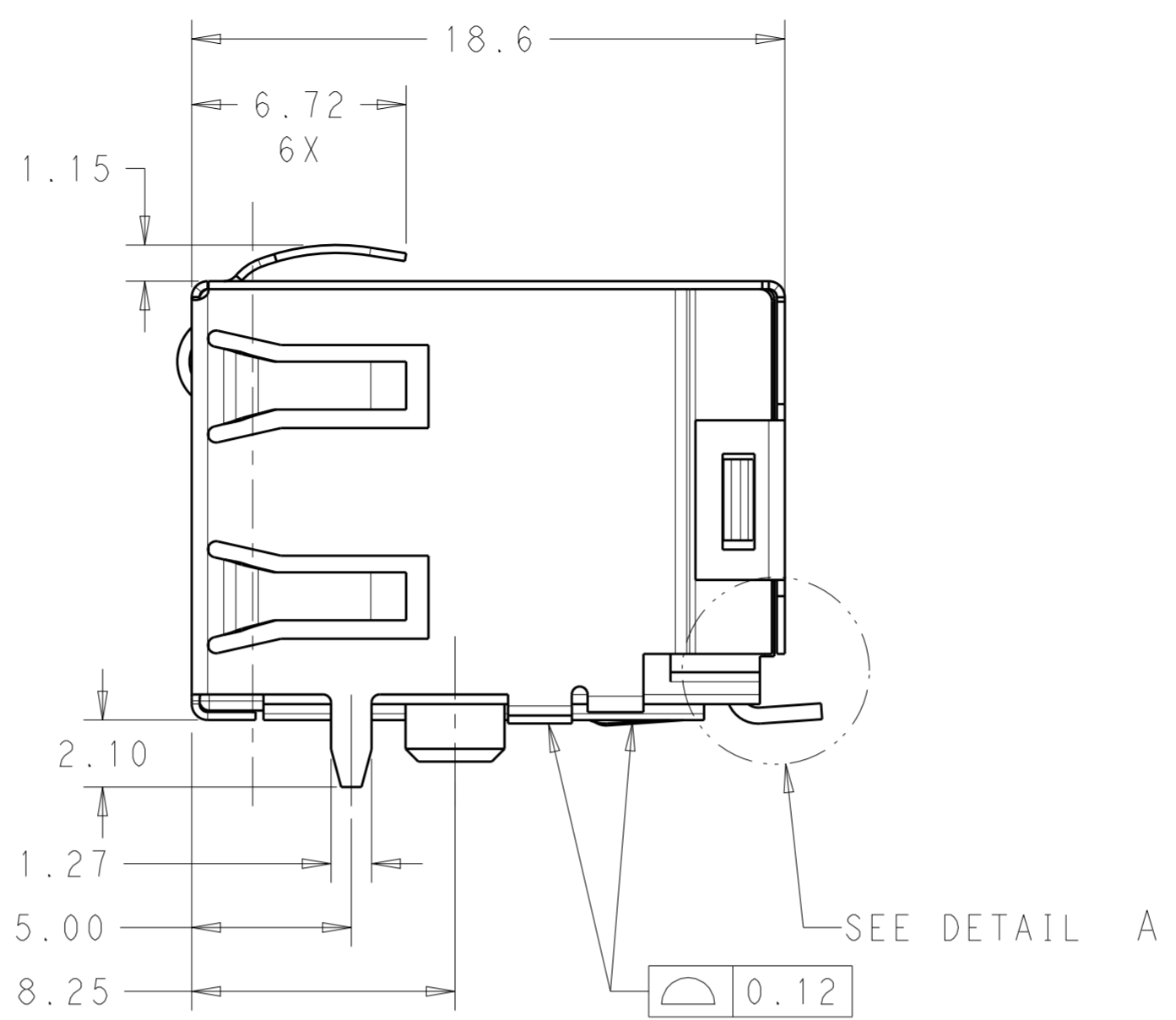
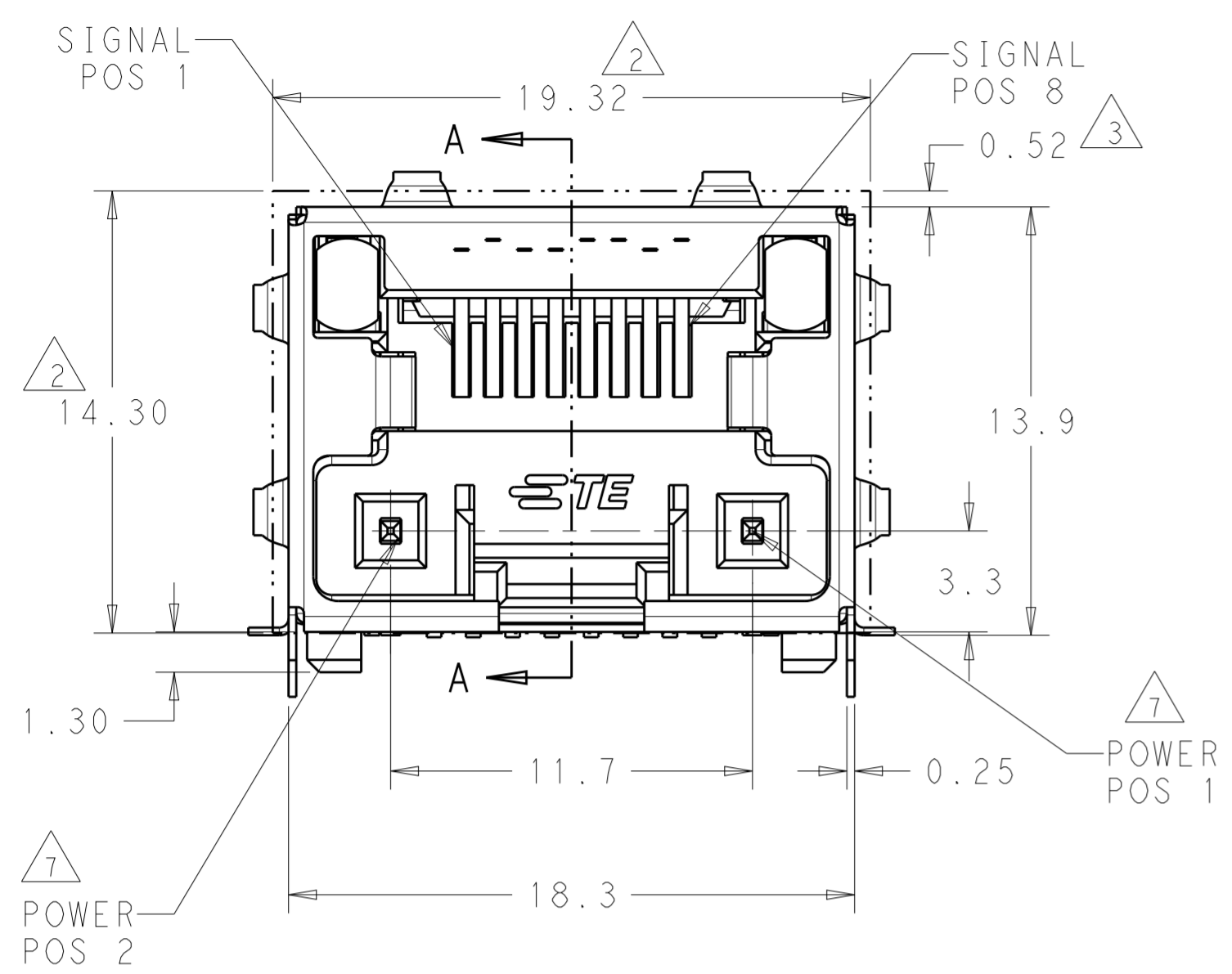
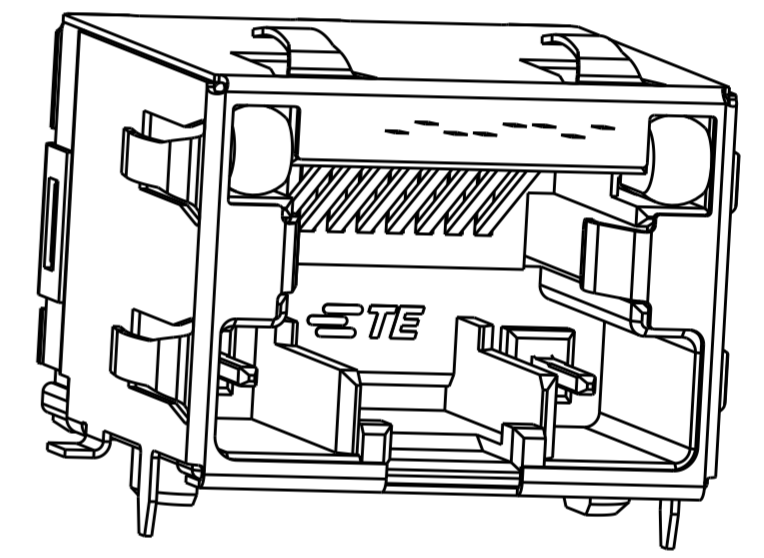


THIS DRAWING IS UNPUBLISHED. RELEASED FOR PUBLICATION 2012  
 © COPYRIGHT 2012 Tyco Electronics AMP GmbH ALL RIGHTS RESERVED.

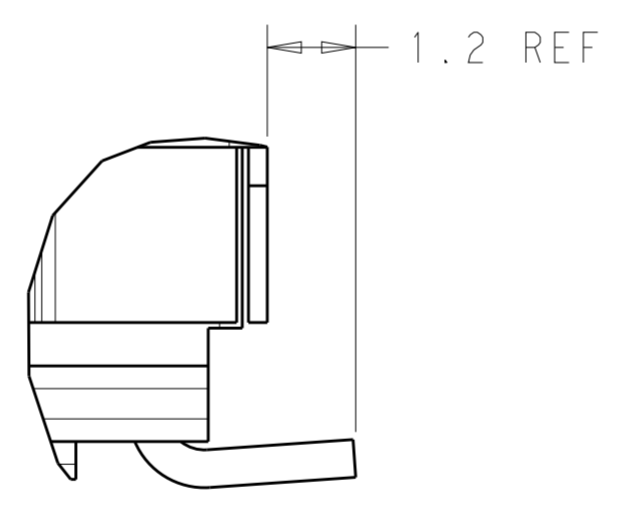
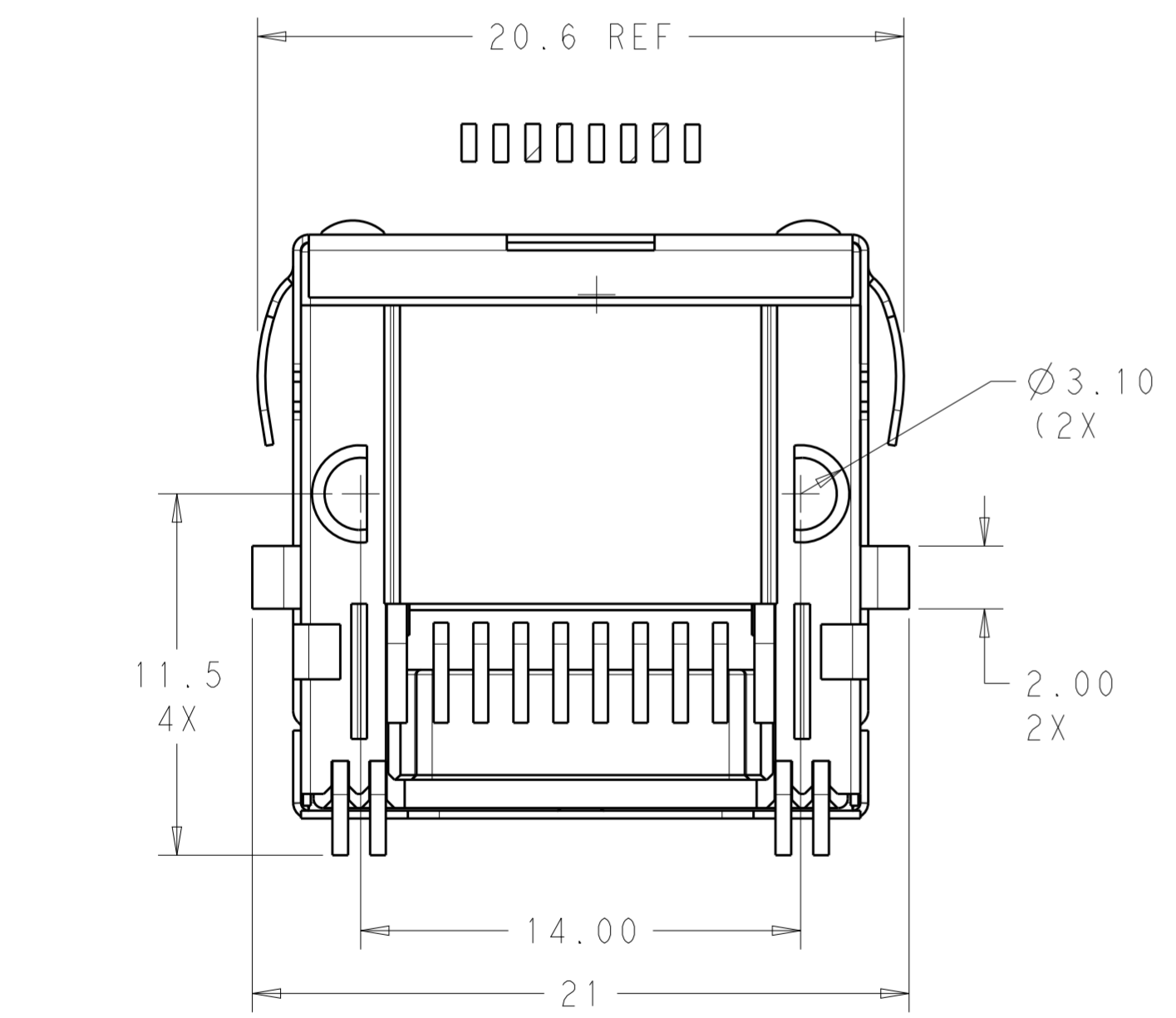
LOC		DIST		REVISIONS			
P	LTR	DESCRIPTION	DATE	DWN	APVD		
AI	-						
	11	GENERAL UPDATE	01NOV2013	MM	MM		



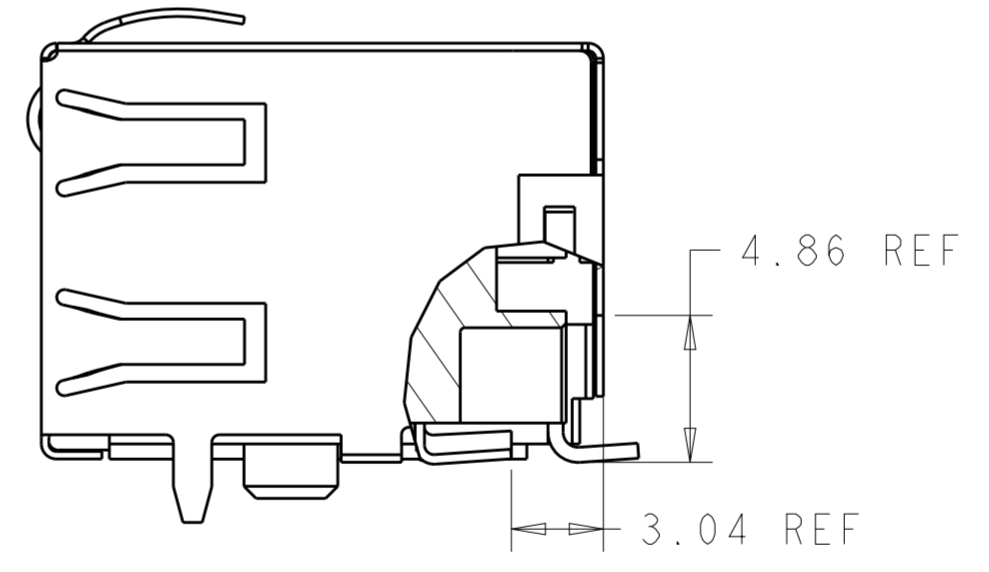
COPLANARITY AT HEALS OF LED, POWER, DATA AND SHIELD CONTACT (16X)



SCALE 4:1



DETAIL A SCALE 10:1

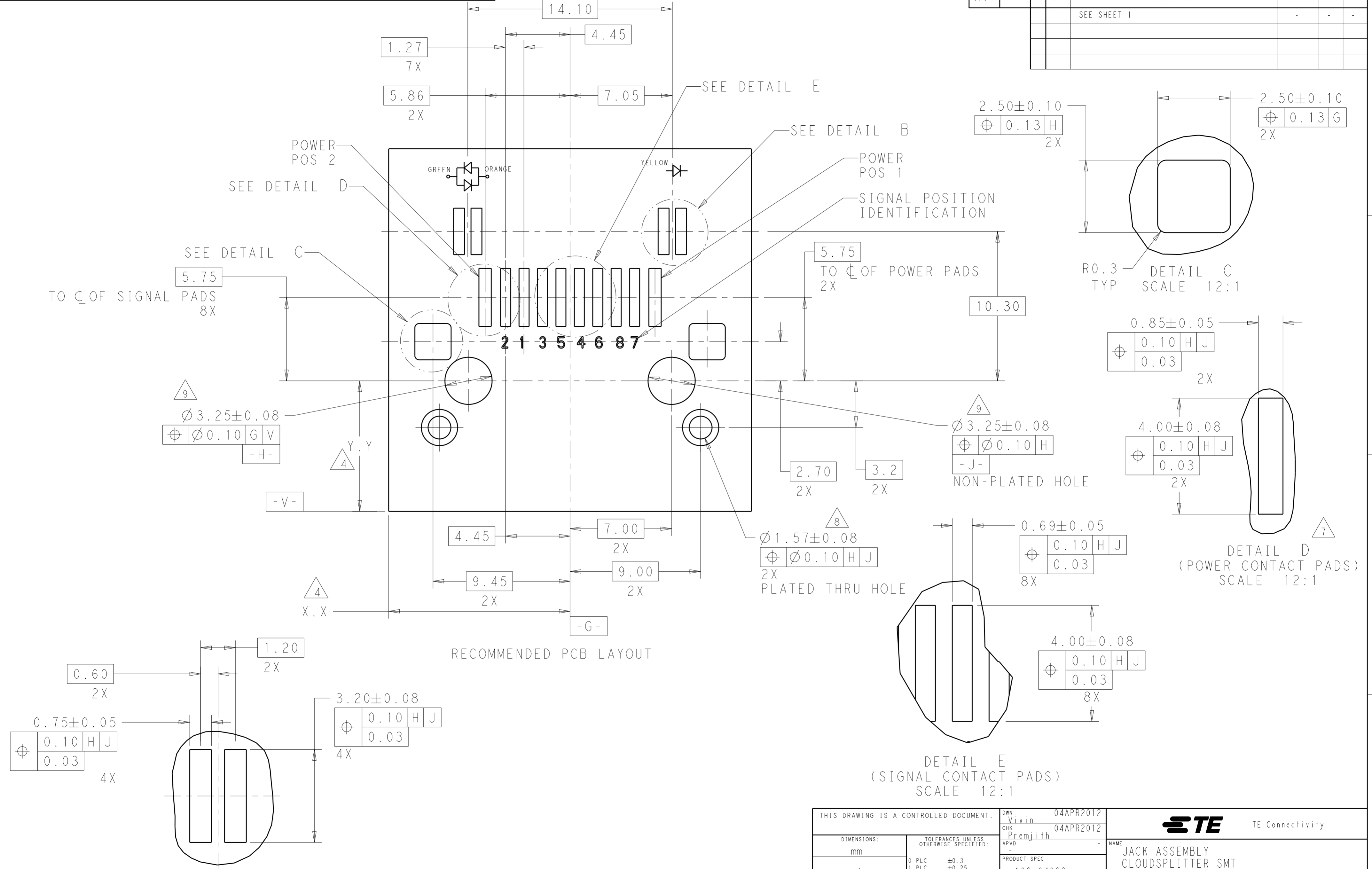


SECTION A-A SCALE 4:1

JACK ASSEMBLY W/O POWER CONTACTS	2178126-2
JACK ASSEMBLY W/POWER CONTACTS	2178126-1
DESCRIPTION	PART NUMBER

THIS DRAWING IS A CONTROLLED DOCUMENT.		DWN: Vivin 04APR2012	TE Connectivity	
		CHK: Premjith 04APR2012		
DIMENSIONS:	TOLERANCES UNLESS OTHERWISE SPECIFIED:	APVD: Premjith	NAME: JACK ASSEMBLY CLOUDSPLITTER SMT	
mm	0 PLC ±0.3 1 PLC ±0.25 2 PLC ±0.13 3 PLC ± 4 PLC ±	PRODUCT SPEC: 108-64022	SIZE: A200779	
	ANGLES ±1°	APPLICATION SPEC: 114-32051	CAGE CODE: C-2178126	DRAWING NO: -
MATERIAL:	FINISH:	WEIGHT: -	RESTRICTED TO: -	
		CUSTOMER DRAWING	SCALE: 8:1	SHEET 1 OF 3

LOC		DIST		REVISIONS			
P	LTR	DESCRIPTION	DATE	DWN	APVD		
-	-	SEE SHEET 1	-	-	-		



THIS DRAWING IS A CONTROLLED DOCUMENT.		DWN Vivin 04APR2012	<b>STE</b> TE Connectivity	
		CHK Premjith 04APR2012		
DIMENSIONS: mm		APVD -	NAME JACK ASSEMBLY CLOUDSPLITTER SMT	
TOLERANCES UNLESS OTHERWISE SPECIFIED:		PRODUCT SPEC 108-64022	SIZE CAGE CODE DRAWING NO RESTRICTED TO	
0 PLC ±0.3	1 PLC ±0.25	APPLICATION SPEC 114-32051	A200779	C-2178126
2 PLC ±0.13	3 PLC ±	WEIGHT -	SCALE 8:1 SHEET 2 OF 3 REV 11	
4 PLC ±	ANGLES ±1°	CUSTOMER DRAWING		
FINISH				

LOC	DIST	REVISIONS					
		P	LTR	DESCRIPTION	DATE	DWN	APVD
AI	-	-	-	SEE SHEET 1	-	-	-

NOTES:

- MATERIAL AND FINISH:
  - HOUSING: GF HIGH TEMP THERMOPLASTIC, COLOR: BLACK
  - CONTACTS: COPPER ALLOY
    - FINISH: 3.8µm MIN MATTE TIN IN SOLDER AREA
    - 1.27µm MIN GOLD IN INTERFACE AREA (SIGNAL CONTACTS)
    - 0.76µm MIN GOLD IN INTERFACE AREA (POWER CONTACTS)
    - OVER 1.27µm NICKEL UNDERPLATE
  - SHIELD: COPPER-ZINC ALLOY
    - FINISH: 2.03µm MATTE TIN OVER 1.27µm MIN NICKEL
  - LED: DIFFUSED EPOXY LENS
  - CARBON STEEL WIRE LEADS
    - FINISH: 8.89µm TIN/COPPER OVER 2.03µm SILVER OVER 1.02µm COPPER OVER 3.56µm NICKEL

2 SUGGESTED PANEL OPENING DIMENSIONS.

3 SUGGESTED CLEARANCE BETWEEN TOP OF CONNECTOR AND TOP PANEL OPENING.

4 DATUM ESTABLISHED BY CUSTOMER.

5 PACKAGED: POCKET TAPE & REEL (PER EIA 481 SPEC)  
 POCKET TAPE WIDTH - 44mm  
 POCKET PITCH - 32mm  
 POCKET DEPTH - 18mm

CLEAR COVER TAPE, PSA  
 CLEAR COVER TAPE TRAILER - 610mm, WRAPPED ON REEL HUB

PLASTIC REEL - 381mm DIAMETER

PRODUCT QUANTITY - 150 PIECES PER REEL

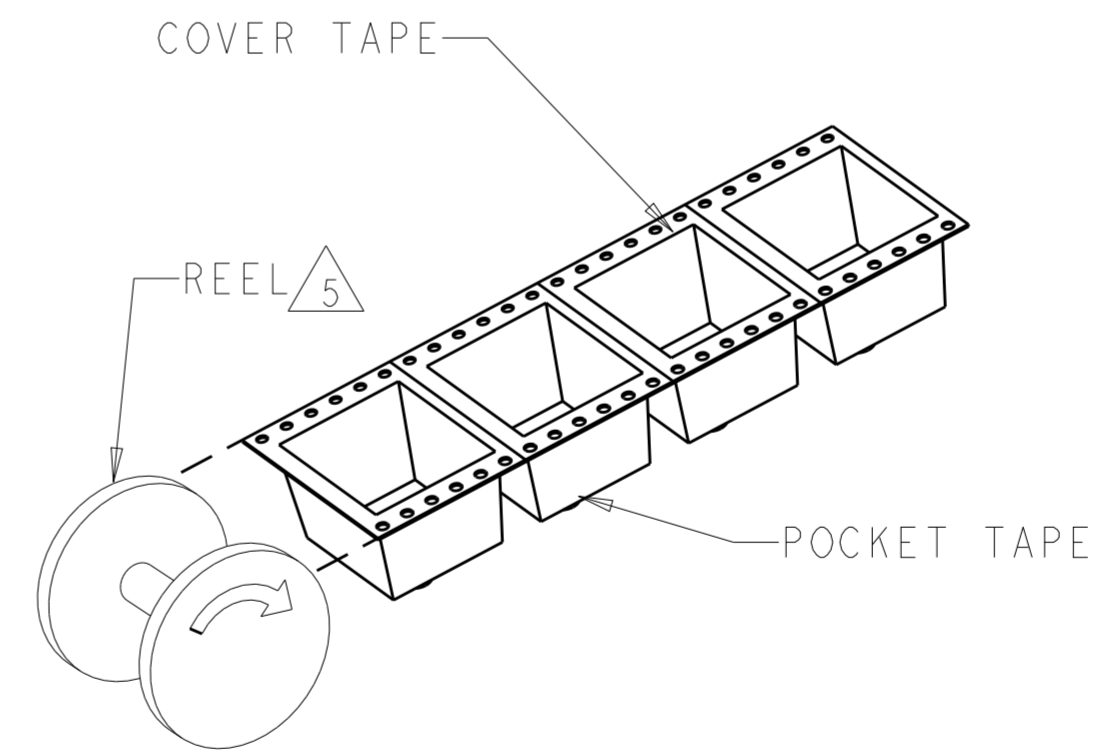
6. MUST COMPLY WITH DIRECTIVE 2002/95/EC (RoHS)

7 POWER CONTACT PADS NOT REQUIRED FOR 2178126-2 PART NUMBER  
 POWER CONTACTS NOT POPULATED

8 PLATED THRU HOLE, FINISHED DIAMETER SHOWN

9 NON-PLATED HOLE, DRILL DIAMETER SHOWN  
 IF PLATED FINISHED DIAMETER TO BE AS SHOWN

10 MANUFACTURING DATE CODE: FIRST 2 DIGITS REPRESENT YEAR, SECOND 2 DIGITS REPRESENT WORK WEEK, LAST DIGIT IS DAY OF THE WEEK



THIS DRAWING IS A CONTROLLED DOCUMENT.		DWN Vivin 04APR2012	TE Connectivity	
		CHK Premjith 04APR2012		
DIMENSIONS: mm		APVD -	NAME JACK ASSEMBLY CLOUDSPLITTER SMT	
		PRODUCT SPEC 108-64022	SIZE A2	
TOLERANCES UNLESS OTHERWISE SPECIFIED: 0 PLC ±0.3 1 PLC ±0.25 2 PLC ±0.13 3 PLC ± 4 PLC ± ANGLES ±1° FINISH		APPLICATION SPEC 114-32051	CAGE CODE A200779	DRAWING NO C-2178126
MATERIAL		WEIGHT -	RESTRICTED TO --	
		CUSTOMER DRAWING	SCALE 8:1	SHEET 3 OF 3 REV 11