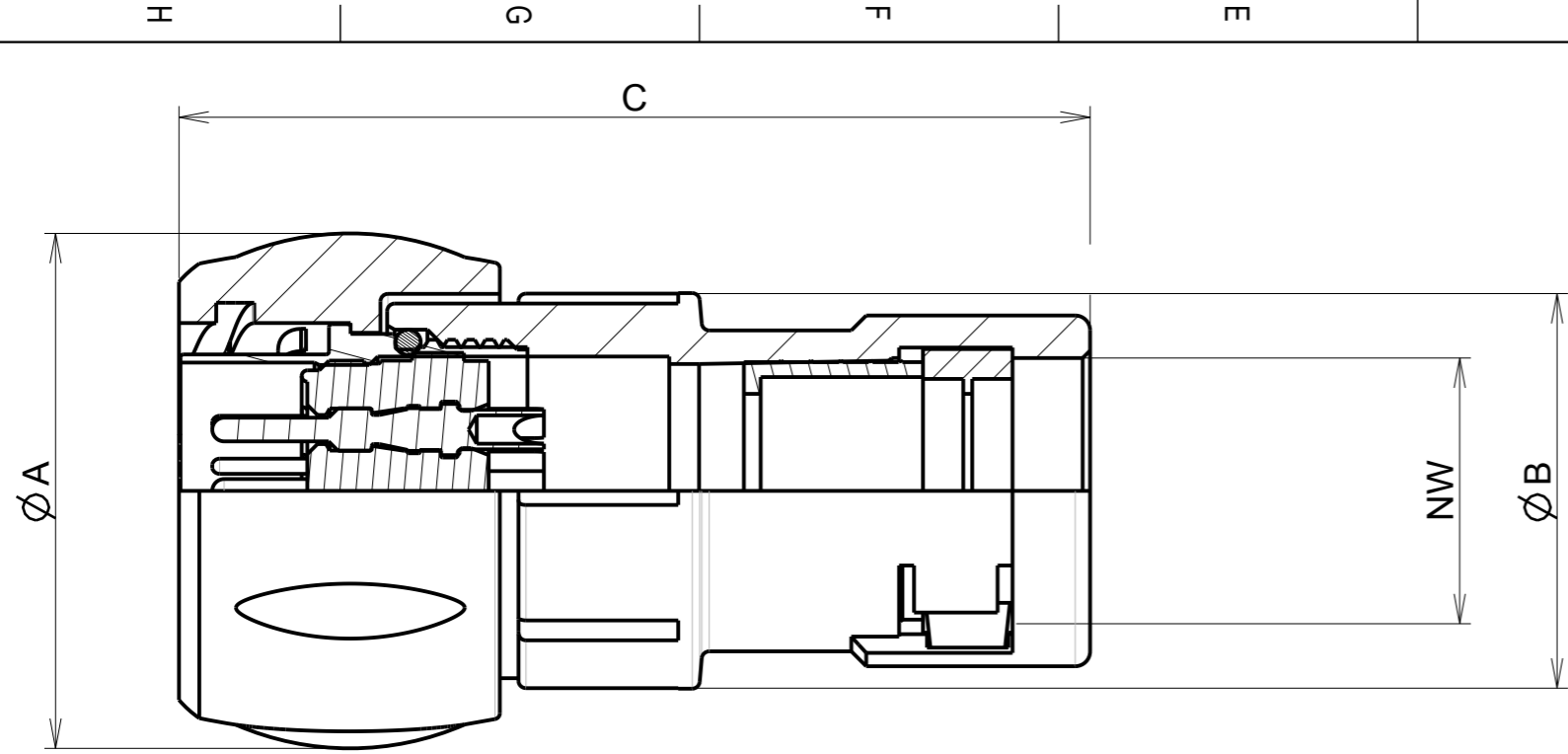
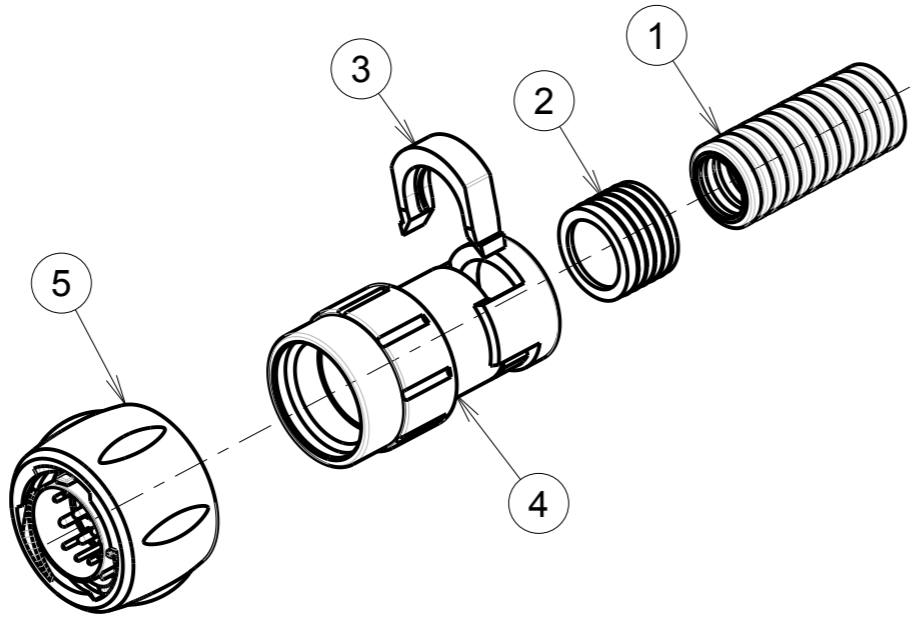


b:0;RL



ASSEMBLED VIEW

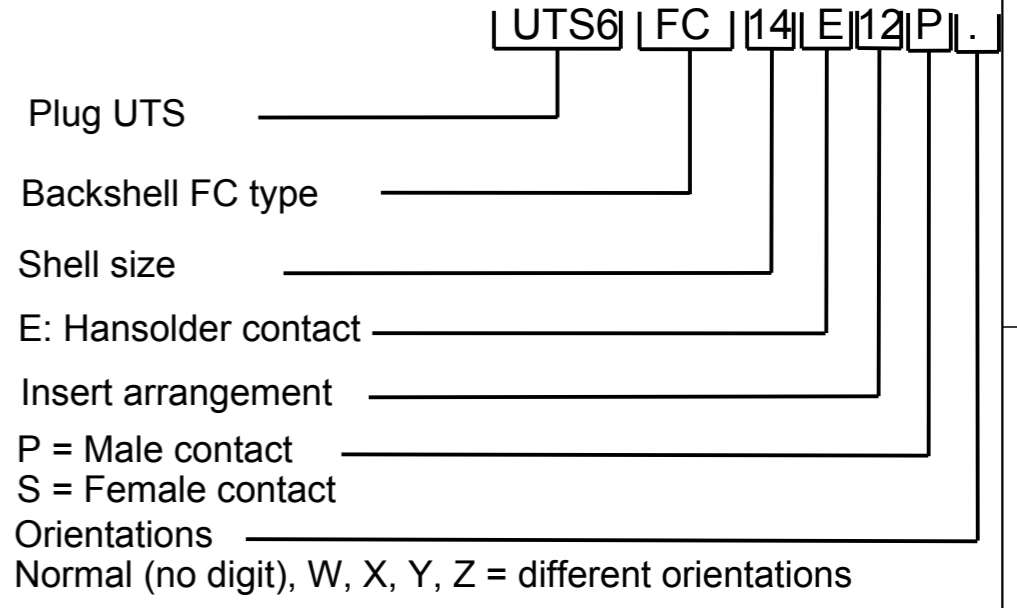
P/N	CONNECTOR SIZE	FLEX SIZE CONDUIT (see note 4)	Ø A Maxi	Ø B ±0.3	C ± 0.6
UTS6FC12EXXP/S	12	NW12	30.15	24	61
UTS6FC14EXXP/S	14	NW12	35.1	26.5	61



MATERIAL :
 ④ Backshell body :Polyamid
 ② Seal : Elastomer
 ③ Retainning clip : Polyamid
 ⑤ Coupling Nut:Polyamid
 Insert:Polyamid
 Shell : Polyamid
 Coupling spring: stainless steel
 O'seal : Nbr
 Contact : brass + gold plated

NOTES :
 -1-Contact to be ordered separately :refer to UTS catalog
 -2-Insert arrangements refer to BT297 see drawing for information :C144-UTS1-A
 -3-Delivered as a kit in a plastic bag (individual): with parts 2, 3, 4 and 5
 -4-Recommended flexible conduit range :PMAFLEX
 -5-For assembly instruction, see BT297

PERFORMANCE CHARACTERISTICS :
 Operating temperature:-40°C up to 105°C
 Corrosion salt spray:500 hours
 Sealing in assembly conditions: (with an UTS connector)
 -IP68 compliant ; 1 bars/30 min
 -IP69K as per DIN40050
 Insulation resistance: 5000 M min
 Test potential : 2000Vrms for #16 layout and 1500Vrms for #20 layout
 Durability: 250 matings and unmatings
 Flammability: Polyamid material classified UL94 V-0



P/N : UTS6FCE**P/S**

b	07/06/13	Modification notes	22523A
ISS	DATE	Latest modification - by: J.FEURPRIER	MOD N°
Designed by: J.FEURPRIER		Date:02/04/13	CUSTOMER DRAWING
TITLE		ASSEMBLY BACKSHELL AND UTS PLUG CONNECTOR UTS HI SEAL CONNECTOR	
Scale	1/2	General linear Tolerances: ± 0.2	NPRDS / PROJECT IC124509A
SOURIAU		WWW.SOURIAU.COM	
This document is the property of SOURIAU It must not be reproduced or communicated without permission			
FORMAT	SOURIAU DRG N° C216-UTS1-A		SHEET 1 / 1