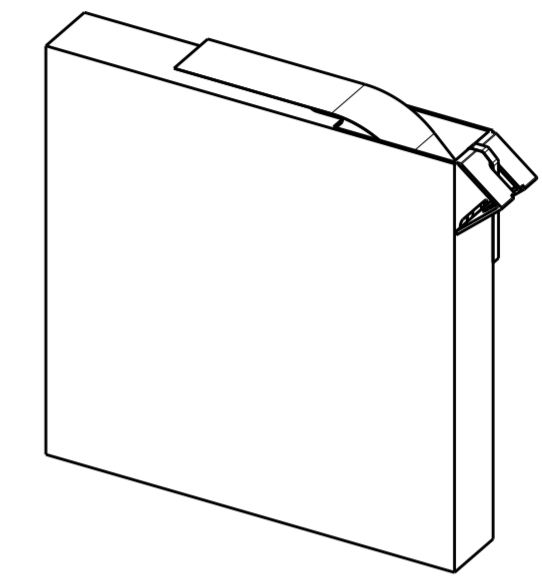
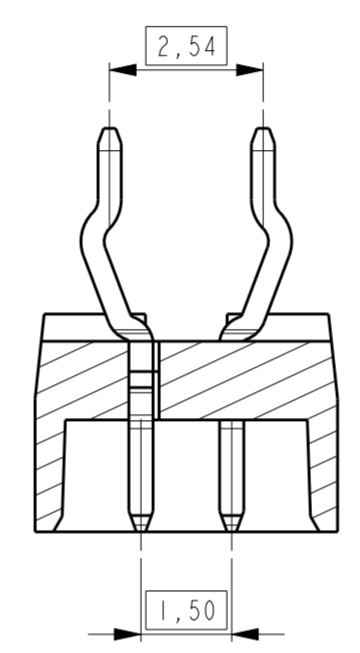
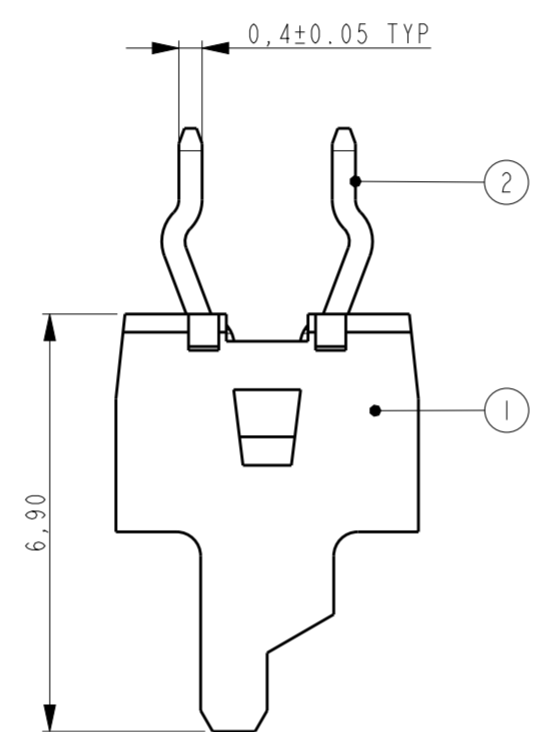
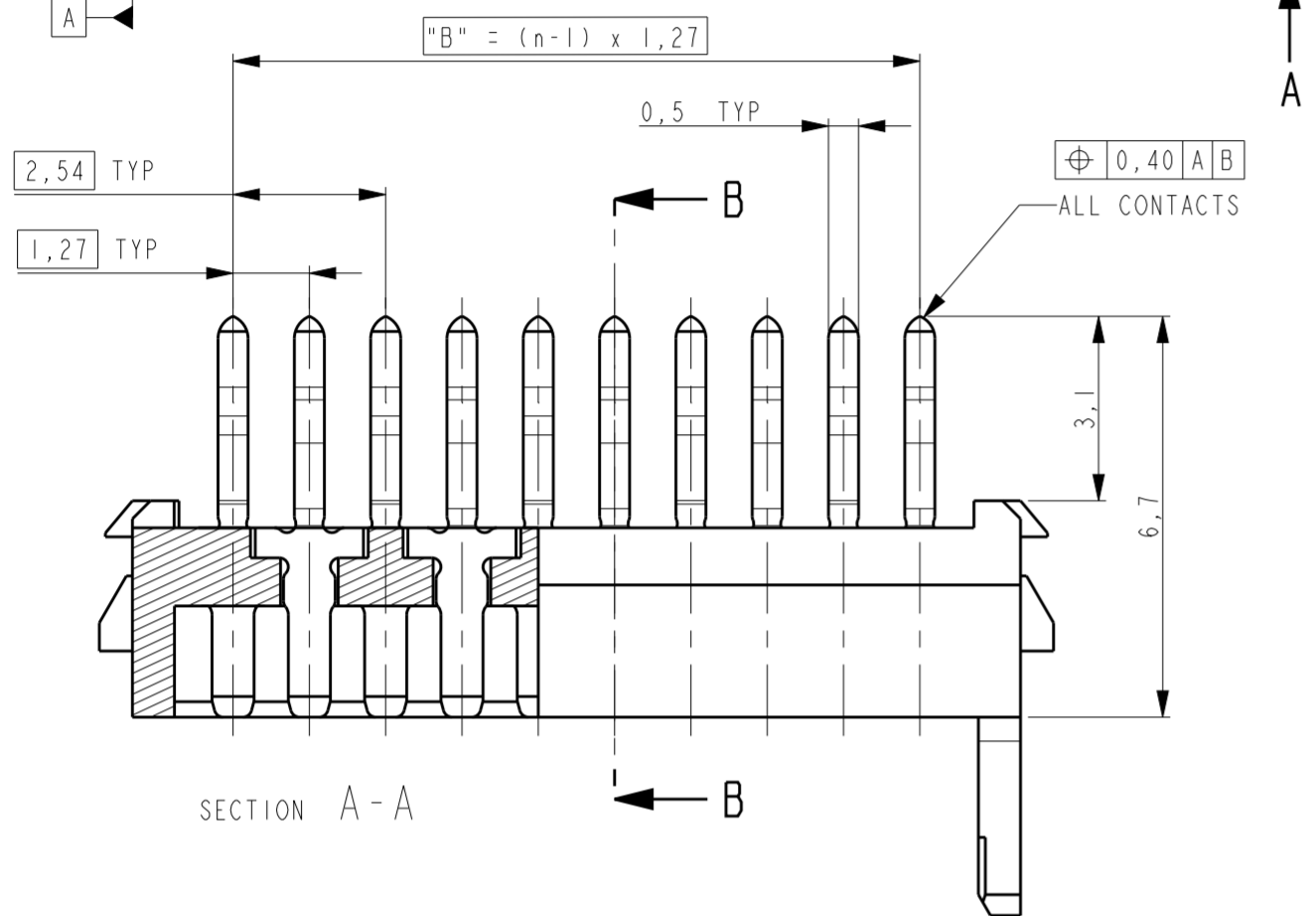
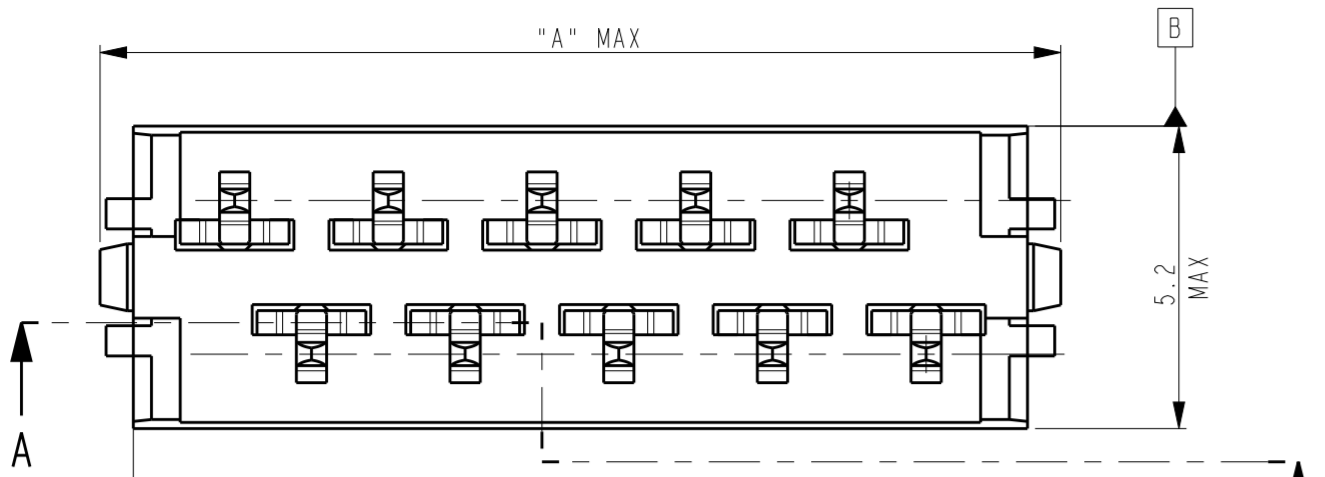


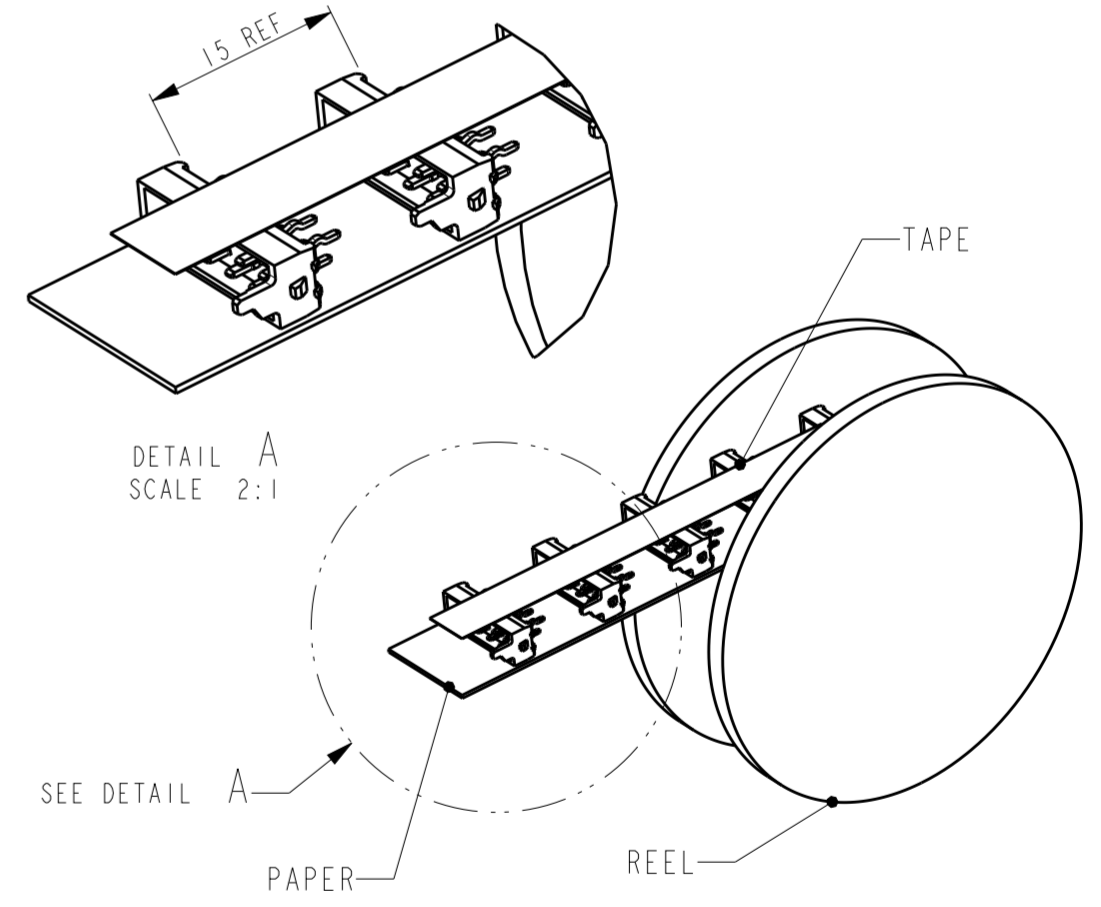
THIS DRAWING IS UNPUBLISHED. RELEASED FOR PUBLICATION
 © COPYRIGHT - ALL RIGHTS RESERVED.

REVISIONS							
LOC	DIST	P	LTR	DESCRIPTION	DATE	DWN	APVD
H	-	N		CONTACT BASE MATERIAL CHANGED TO TIN BRASS	04 JUNE 2013	SMT	RP

PART NUMBER REEL PACKAGING	PART NUMBER BOX PACKAGING	NUMBER OF POSITIONS	"A" MAX	"B"
0-215464-4	7-215464-4	4	8.3	3.81
0-215464-6	7-215464-6	6	10.9	6.35
0-215464-8	7-215464-8	8	13.4	8.89
1-215464-0	8-215464-0	10	15.9	11.43
1-215464-2	8-215464-2	12	18.5	13.97
1-215464-4	8-215464-4	14	21.0	16.51
1-215464-6	8-215464-6	16	24.0	19.05
1-215464-8	8-215464-8	18	26.1	21.59
2-215464-0	9-215464-0	20	28.6	24.13



SCALE 3:10
 BOX PACKAGING
 250 PARTNUMBERS PER BOX
 FOR ALL PARTNUMBERS.



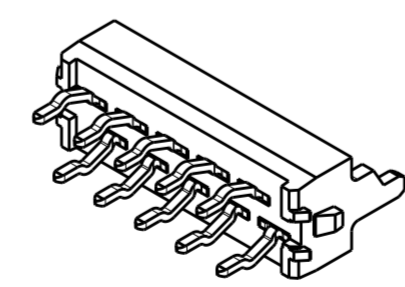
DETAIL A
 SCALE 2:1

3-5 m Sn over 0,5 m min Ni

REEL PACKAGING
 DEREELING DIRECTION AND CONNECTOR POSITION
 2500 CONNECTORS PER REEL FOR ALL PART NUMBERS

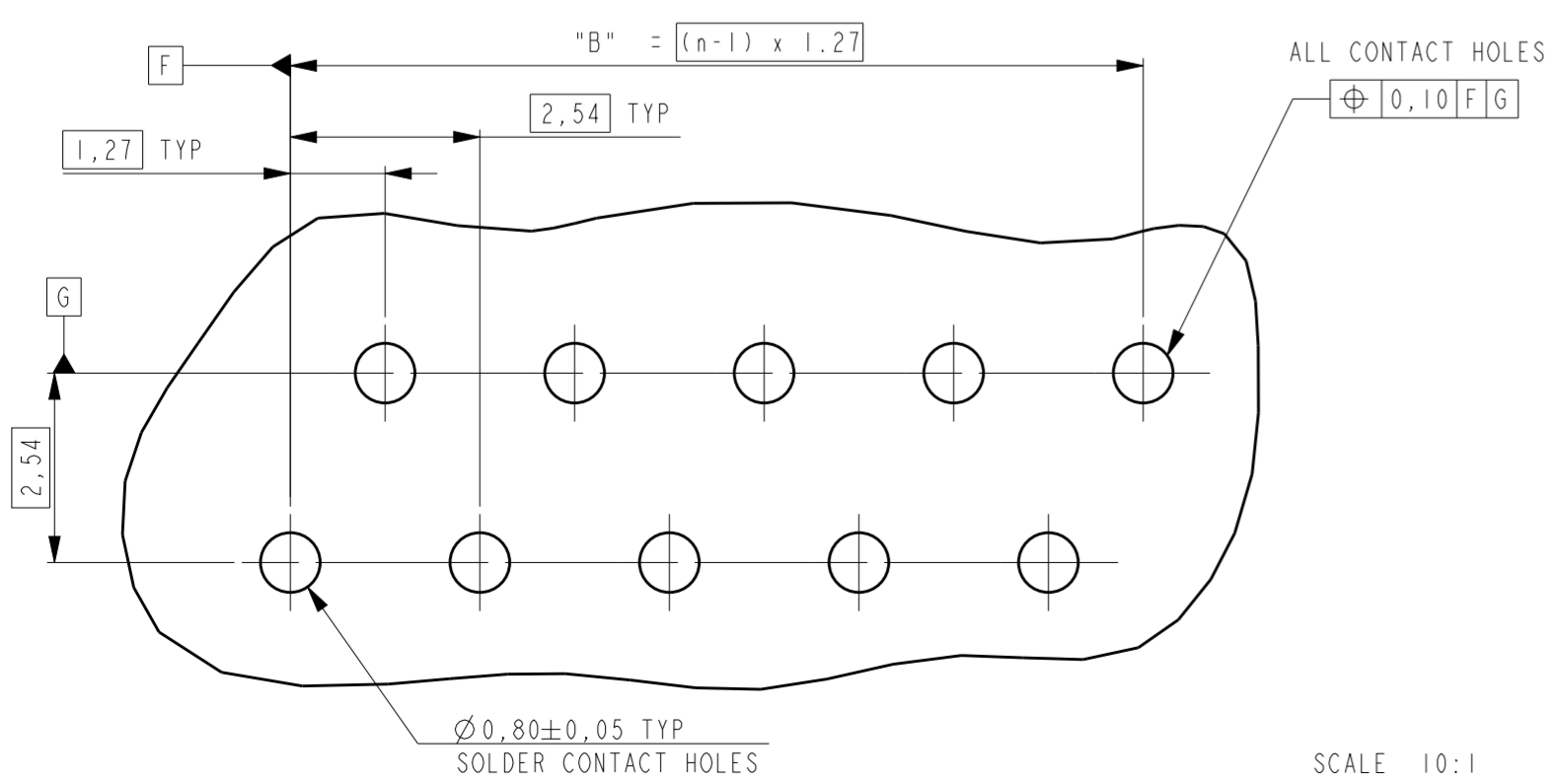
2	MALE CONTACT	TIN BRASS	3-5 μm Sn over 0.5 μm min Ni
1	HOUSING	G.F POLYESTER, PBT	RED
ITEM NO.	DESCRIPTION	MATERIAL	FINISH / COLOR
DWN	15-04-1992	TE Connectivity	
CHK	J. VAN DREUMEL	NAME Micro-MaTch MALE-ON-BOARD LONG POST, POLARIZED	
APVD	H. KOKKEN	SIZE CAGE CODE DRAWING NO A2 00779 C-215464	
PRODUCT SPEC	108-19052	RESTRICTED TO	
APPLICATION SPEC		WEIGHT	
CUSTOMER DRAWING		SCALE 8:1	SHEET 1 OF 1 REV N

SHOWN IS A 10 POSITION
 CONNECTOR (1-215464-0).



SCALE 3:1

PC-BOARD HOLE LAYOUT
 (COMPONENT SIDE OF BOARD SHOWN)



SCALE 10:1