

DESCRIPTION: SCSI 2 & 3 DIE CAST WITH THUMBSCREWS

SPECIFICATIONS:

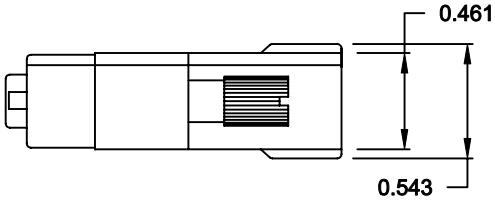
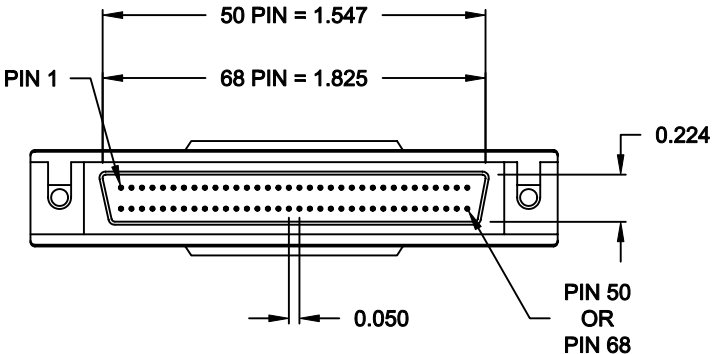
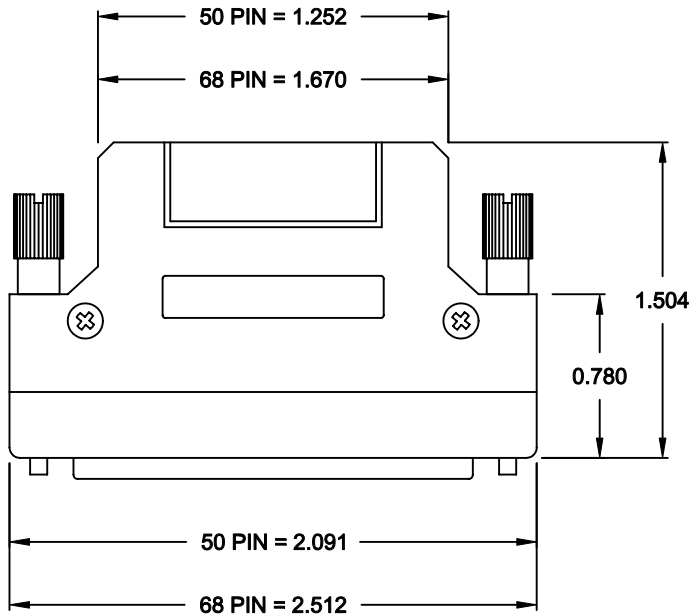
- KIT INCLUDES:**
- (1) MALE CONNECTOR - SOLDER CUP
 - (2) METAL SHELL HALVES
 - (2) THUMBSCREWS (2-56 THREADS)
 - (1) STRAIN RELIEF CLAMP
 - (2) STRAIN RELIEF SCREWS
 - (2) HOUSING SCREWS

ELECTRICAL:

- INSULATOR RESISTANCE: 500 MegOHMS Min.
- DIELECTRIC WITHSTANDING: 500VAC r.m.s.
- OPERATING TEMPERATURE: -55° C ~ +105° C
- CONTACT RESISTANCE: 25 MilliOHMS Max.
- CONTACT CURRENT RATING: 1.0 AMP

MATERIALS:

- CONTACTS: COPPER ALLOY - 30u" MATING END
- INSULATOR: HIGH TEMP PLASTIC, U.L. RATED 94V-0
- SHELL: STEEL, NICKEL OVER COPPER PLATING
- BACKSHELL: ZINC PLATED, NICKEL OVER COPPER



989-YYY-130L121

050 = 50 PINS
068 = 68 PINS

RoHS COMPLIANT

	THESE DRAWINGS AND SPECIFICATIONS ARE THE PROPERTY OF NorComp AND SHALL NOT BE REPRODUCED, COPIED OR USED AS THE BASIS FOR THE MANUFACTURE OF SALE OF APPARATUS WITHOUT WRITTEN PERMISSION.		DRAWN: N. KOVALSKY	DATE: 03-13-08
			CHECKED: X	DATE: X
NorComp		SCALE: N.T.S.	SHEET 1	OF 1
		DWG NO. 989-YYY-130L121		