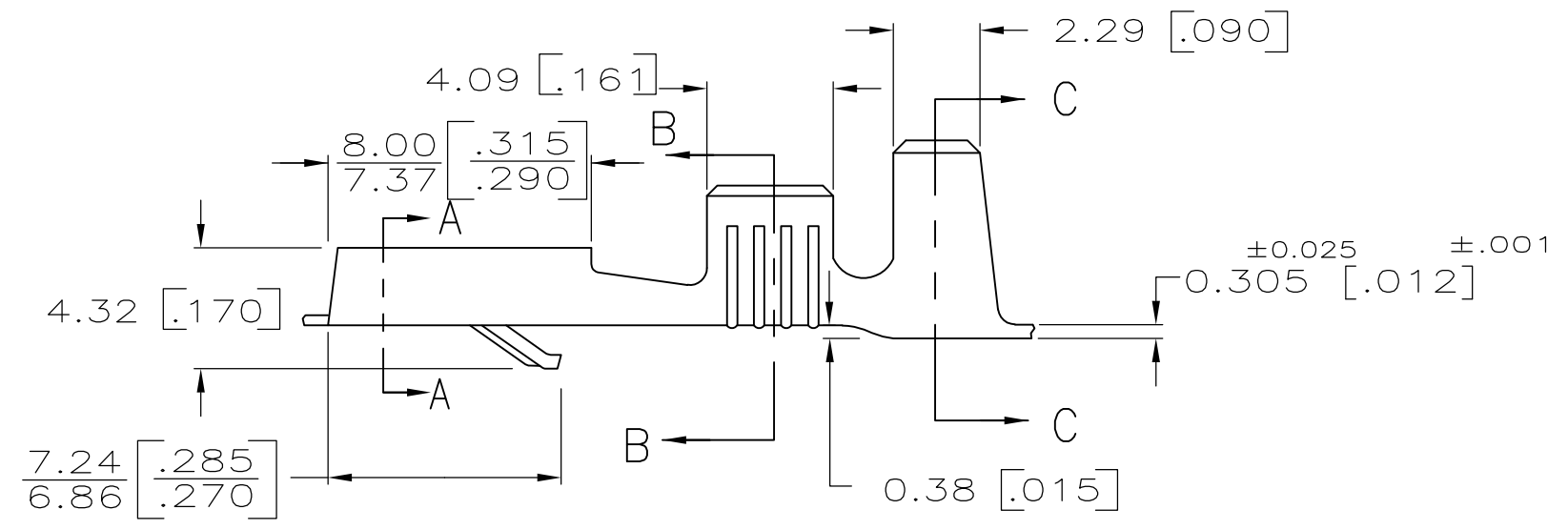
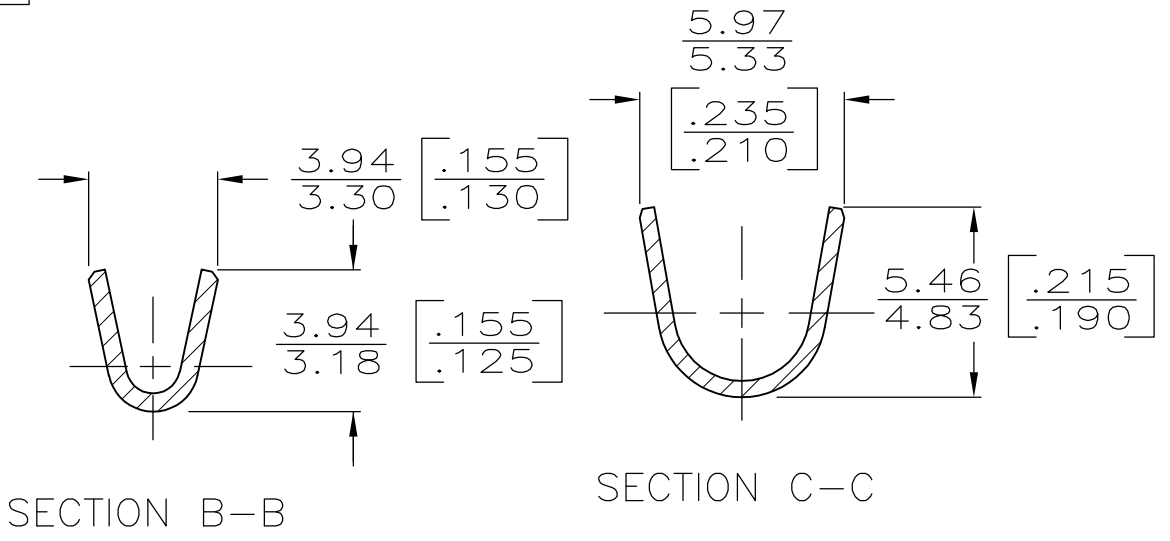
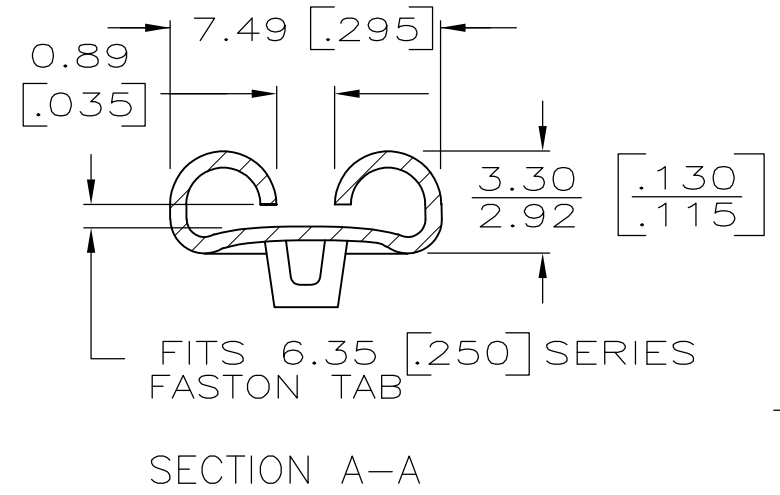
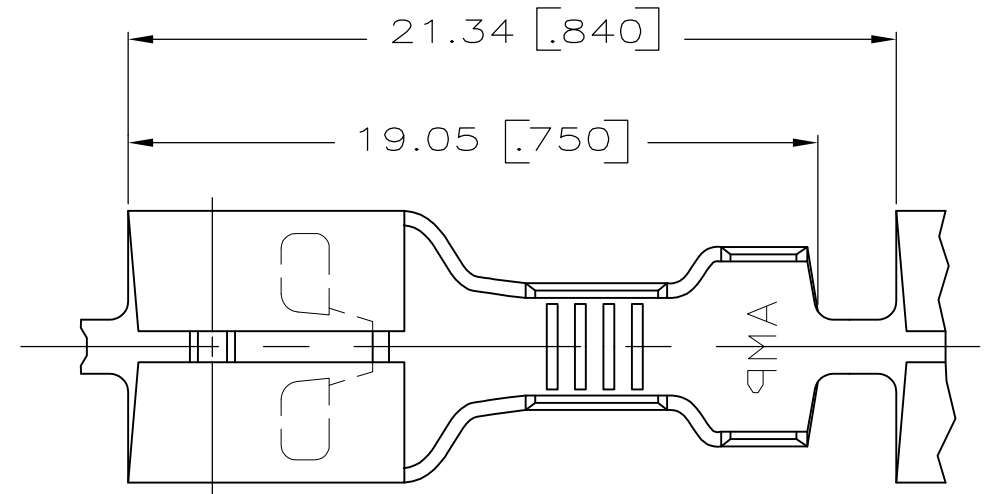


LOC	DIST	REVISIONS			
P	LTR	DESCRIPTION	DATE	OWN	APVD
AF	50	AP	REVISED PER ECR-13-005733	22AUG13	KH PD



- 1 DIMENSIONS IN BRACKETS ARE IN INCHES.
- 2 CONTINUOUS STRIP ON REELS.
- 3 FOR FOREIGN PRODUCTION ONLY.
- 4 NO RIB IN LOCKING LANCE.
- 5 NO STRESS RELIEVING
- 6 REELED WITH INTERLEAVING PAPER
- 8 OBSOLETE PARTS: OBSOLETE CIS STREAMLINING PER D.RENAUD/D.SINISI

LOOSE PIECE	FINISH	MATERIAL	INSULATION RANGE	WIRE SIZE	TAB THK	PART NO
△/4	—	TIN BRASS	2.54 - 4.32	0.8 - 2.0 mm ²	±0.025	42100-9
△/3	—	TIN BRASS				2-42100-2
△/3	—	BRASS	[.100 - .170]	[18 - 14]	0.81 [.032 ±.001]	2-42100-1
△/8 OBSOLETE	—	TIN BRASS				1-42100-2
△/8 OBSOLETE	1-42238-1	BRASS				1-42100-4
△/4	—	SILVER BRASS				42100-3
△/4	—	TIN BRASS				42100-2
△/4	—	BRASS				42100-1

THIS DRAWING IS A CONTROLLED DOCUMENT.

DWN	JR RUTH	2/5/88	 TE Connectivity
CHK	MS FEHER	2/5/88	
APVD	C MEYERS	2/8/88	
DIMENSIONS: mm[INCHES]			NAME: RECEPTACLE, FASTON-FASTON, .250 SERIES
TOLERANCES UNLESS OTHERWISE SPECIFIED:			PRODUCT SPEC:
0 PLC ± - 1 PLC ± - 2 PLC ± - 3 PLC ± 0.25 [.010] 4 PLC ± - - ANGLES ± - -			APPLICATION SPEC:
MATERIAL: SEE ABOVE			FINISH: SEE ABOVE
WEIGHT: -			SIZE: A2
CUSTOMER DRAWING			CAGE CODE: 00779
DRAWING NO: G-42100			RESTRICTED TO: -
SCALE: 5:1			SHEET: 1 OF 1
REV: AP			