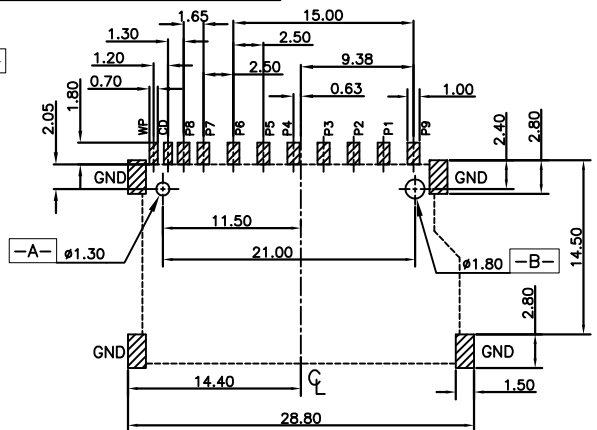
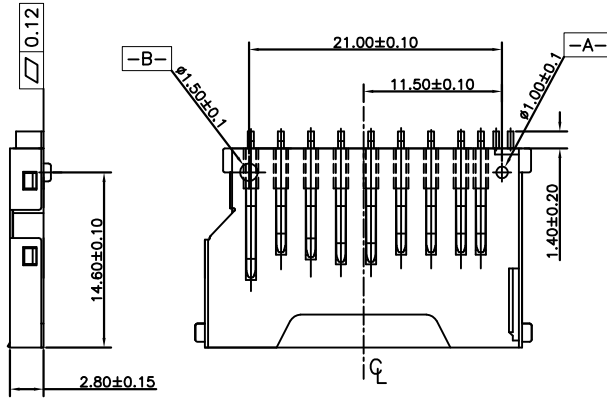
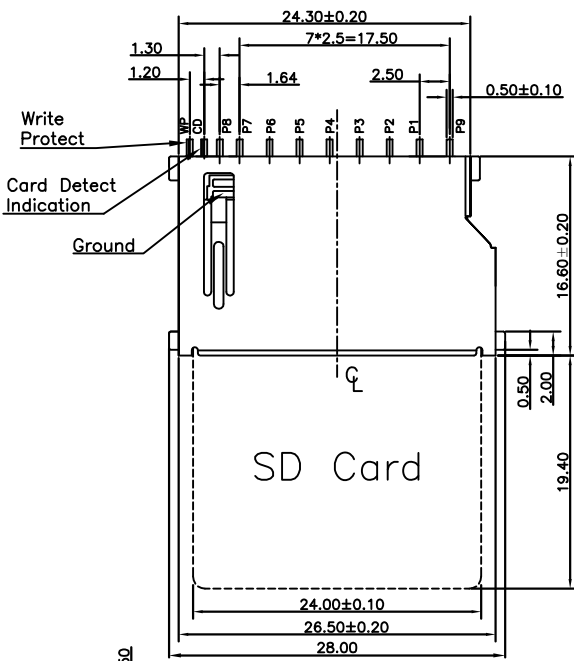
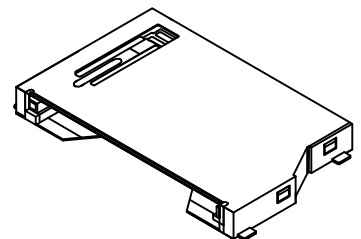


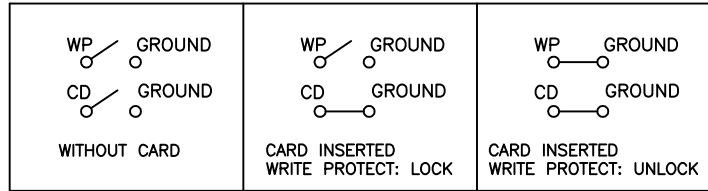
Global Connector Technology Ltd. - MEM1055: SD Memory Card Connector, Push-Pull, SMT, Card Entry Normal, 2.80mm Profile, With Locating Post



RECOMMENDED PCB LAYOUT
GENERAL TOLERANCE: ±0.05
AS VIEWED FROM COMPONENT SIDE
[Hatched] Solder Area [Outline] Component Outline



CARD DETECT & WRITE PROTECT DETECTION SWITCHES CIRCUIT DIAGRAM:



SD CARD PIN OUT			
Pin	Name	Type	Description
P1	CD/DAT3	I/O/PP	Card Detect/ Data Line [Bit 3]
P2	CMD	PP	Command/Response
P3	Vss1	S	Supply voltage ground
P4	V _{DD}	S	Supply voltage
P5	CLK	I	Clock
P6	Vss2	S	Supply voltage ground
P7	DAT0	I/O/PP	Data Line [Bit 0]
P8	DAT1	I/O/PP	Data Line [Bit 1]
P9	DAT2	I/O/PP	Data Line [Bit 2]

SPECIFICATION 规格:

MATERIALS 物料规格:
 PLASTIC HOUSING 塑胶外壳: LCP 液晶高分子
 CONTACT TERMINAL 接触端子: PHOSPHOR BRONZE 磷青铜
 METALLIC SHELL 金属外壳: BRASS 黄铜
PLATING 电镀规格:
 CONTACT TERMINAL PLATING 接触端子部分电镀:
 UNDER-PLATING 底层电镀: 80U" NICKEL OVER ALL 全部镀镍80U"
 CONTACT AREA 接触部分: GOLD FLASH 镀闪金
 SOLDERING AREA 焊接部分: 100U" TIN 镀锡100U"
 METALLIC SHELL PLATING 金属外壳电镀:
 UNDER-PLATING 底层电镀: 80U" NICKEL OVER ALL 全部镀镍80U"
 SOLDERING AREA 焊接部分: 100U" TIN 镀锡100U"
 SOLDER TAIL CO-PLANARITY 焊接末端同面度: 0.12MM MAX.

ELECTRICAL 电气规格:
 VOLTAGE RATING 电压额定值: 3.3V AC OR 5V DC
 CURRENT RATING 电流额定值: 0.5 A AC MAX.
 OPERATING TEMPERATURE 工作温度: -25°C TO +90°C
 CONTACT RESISTANCE 接触电阻值: 100mΩ MAX.
 INSULATION RESISTANCE 绝缘电阻值: 1000MΩ MIN. (APPLY 施加500VDC)
 DIELECTRIC WITHSTANDING VOLTAGE 耐电压:
 WITHSTAND 500 VAC FOR 1 MINUTE 能承受 500 VAC 1分钟

MECHANICAL 机械性规格:
 DURABILITY 耐久性: 10,000 CYCLES 10,000 次插拔
 CONTACT RETENTION FORCE 接触保持力: 200GF/PIN MIN. OR 1.96N/PIN MIN. Δ
 CONTACT NORMAL FORCE 垂直接触力: 100GF/PIN MIN. OR 0.98N/PIN MIN.
 INSERTION FORCE 插入力: 40N MAX
 EXTRACTION FORCE 拔出力: 1 - 40N

Ordering Grid
MEM1055 - **00** - **280** - **01** - **B** **REQUEST SAMPLES AND QUOTATION**

Switch
 00 = Normally Open

Packing Options
 B = Tray
 (Quantity per Outer Carton = 7200 pcs)
 01 = With Locating Post

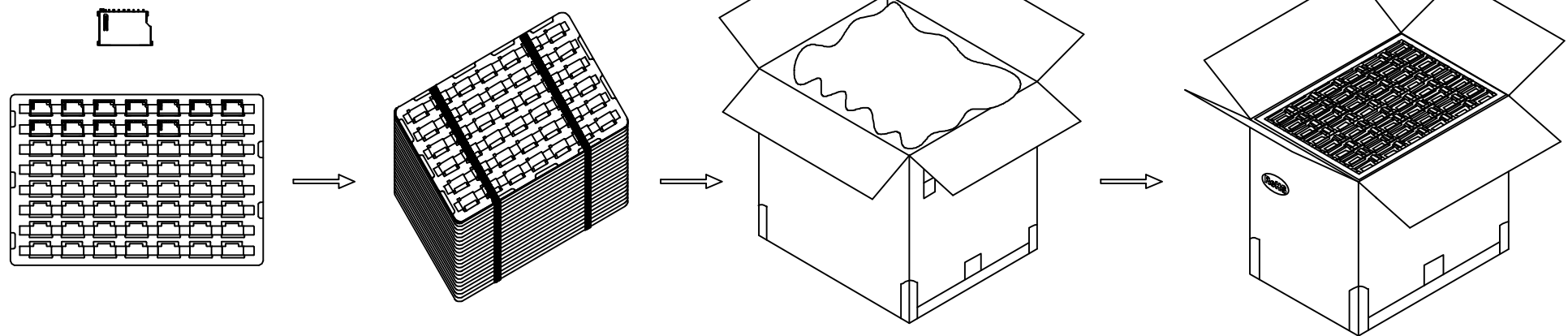
By	PKN	AE
DETAIL	DRAWING RELEASE	ADDITION TO SPECIFICATION
REV DATE	A 04/03/07	B 03/09/09



Tolerances (Except as noted)	Part Number:-	Date:-
Dimensions in mm X. ± 0.38 X." ± 2" X.X ± 0.25 X.X" ± 1" X.XX ± 0.10	MEM1055	04 MAR 07
Third Angle Projection	Description:- SD MEMORY CARD CONNECTOR, PUSH-PULL, SMT, CARD ENTRY NORMAL, 2.80mm PROFILE, WITH LOCATING POST	
	© THIS DRAWING IS CONFIDENTIAL AND MUST NOT BE COPIED OR DISCLOSED WITHOUT WRITTEN CONSENT	

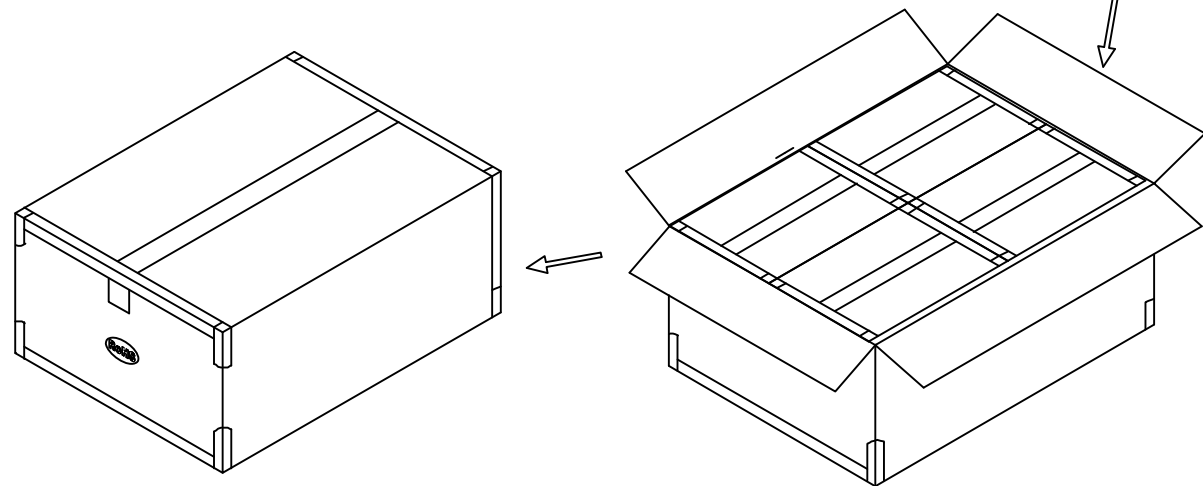
GCT
 www.globalconnectortechology.com

Scale NTS	Revision B	Material See Note	Drawn by PKN	E & OE	Sheet No. 1/2
-----------	------------	-------------------	--------------	--------	---------------



Packing Details 包装方式:

- 1、 Fill 56pcs Products per tray, direction of placement as shown in the diagram 每盘放56件产品，摆放方向请按图示
- 2、 Per 32 filled trays, stack up 1 tray (filled 8pcs) and 1 empty tray together 每32盘(放满产品)+1盘(8件)+1盘(空盘子)叠放在一起
- 3、 Use two elastic bands to bundle all the 34 plastic trays (total 1800pcs of products) together 用两个松紧带将吸塑盘(34个一叠，即1800件产品)套住
- 4、 Place a water-proof bag in the inner carton, insert the trays into the bag, then place a pack of moisture absorber and close the carton 将内箱内先铺好防水袋，再将吸塑盘放入，然后放一包干燥剂后封箱
- 5、 Stick the "RoHS" label on the assigned position of the inner carton as shown 在内箱外图示位置贴上"RoHS"标签
- 6、 Stuff a layer of bubble-bag on the inner of the outer carton, place 4 inner cartons into the outer carton, and then close the outer carton 将外箱内部四周铺一层汽泡袋，再将四个内箱整齐放入外箱，然后封箱
- 7、 Stick the "RoHS" label on the assigned position of the outer carton as shown 在外箱外图示位置贴上"RoHS"标签
- 8、 7200pcs of Products filled per outer carton 每外箱装7200件产品。



By	PKN	AE
DETAIL	DRAWING RELEASE	ADDITION TO SPECIFICATION
REV	A	B
DATE	04/03/07	03/09/09



Tolerances (Except as noted)	Part Number:- MEM1055	Date:- 04 MAR 07
Dimensions in mm	Description:- SD MEMORY CARD CONNECTOR, PUSH-PULL, SMT, CARD ENTRY NORMAL, 2.80mm PROFILE, WITH LOCATING POST	
© THIS DRAWING IS CONFIDENTIAL AND MUST NOT BE COPIED OR DISCLOSED WITHOUT WRITTEN CONSENT		
Third Angle Projection	Scale NTS	Revision B

GCT

www.globalconnectortech.com

Material See Note	Drawn by PKN	E & OE	Sheet No. 2/2
----------------------	-----------------	--------	------------------