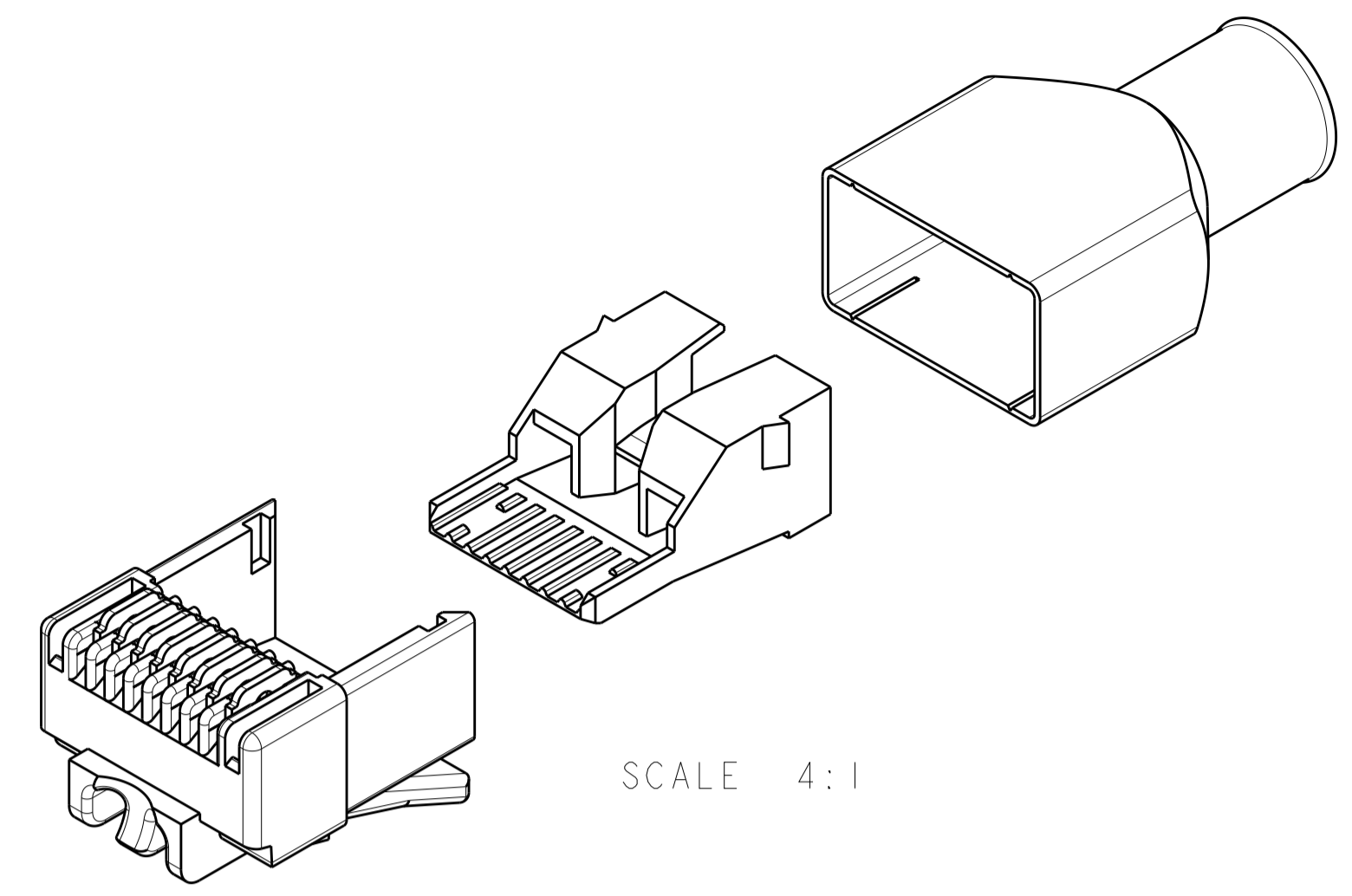
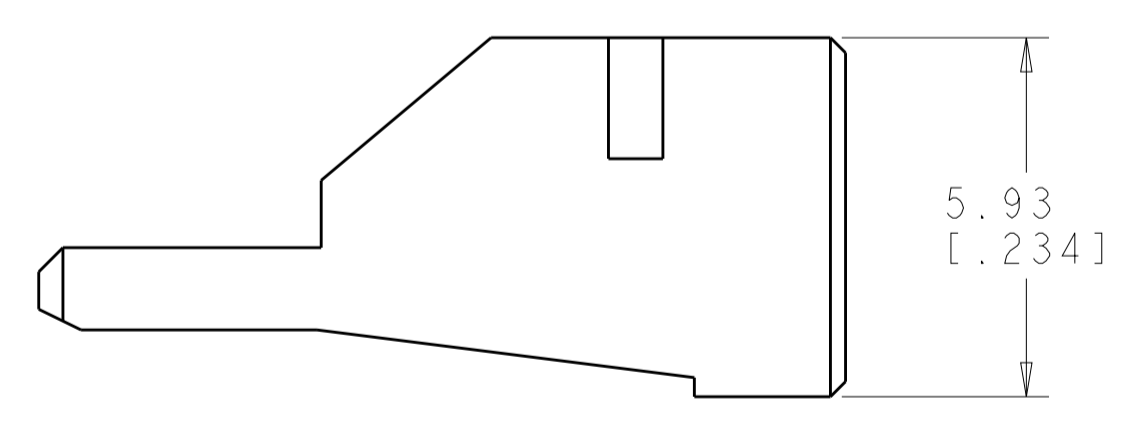
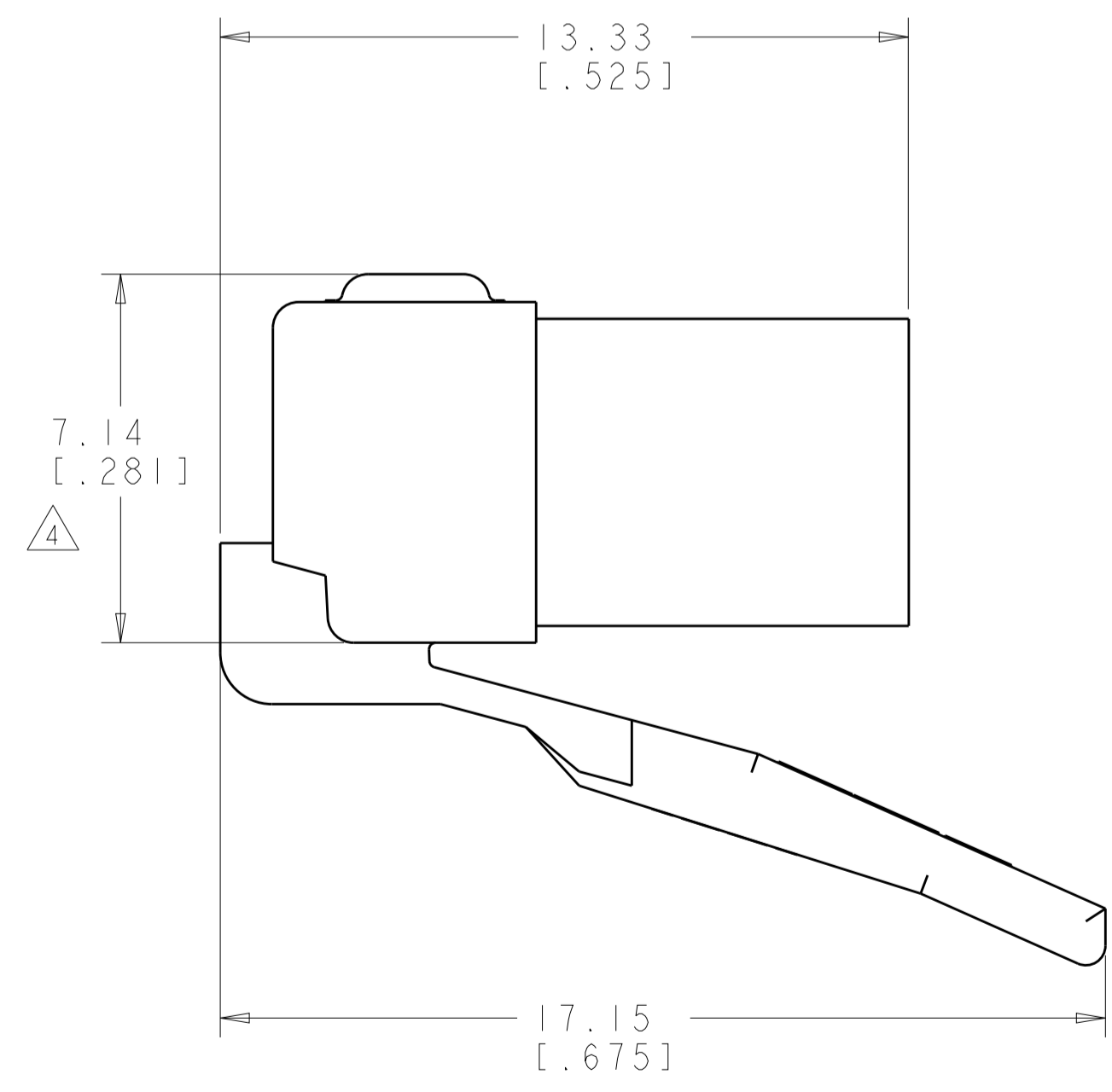
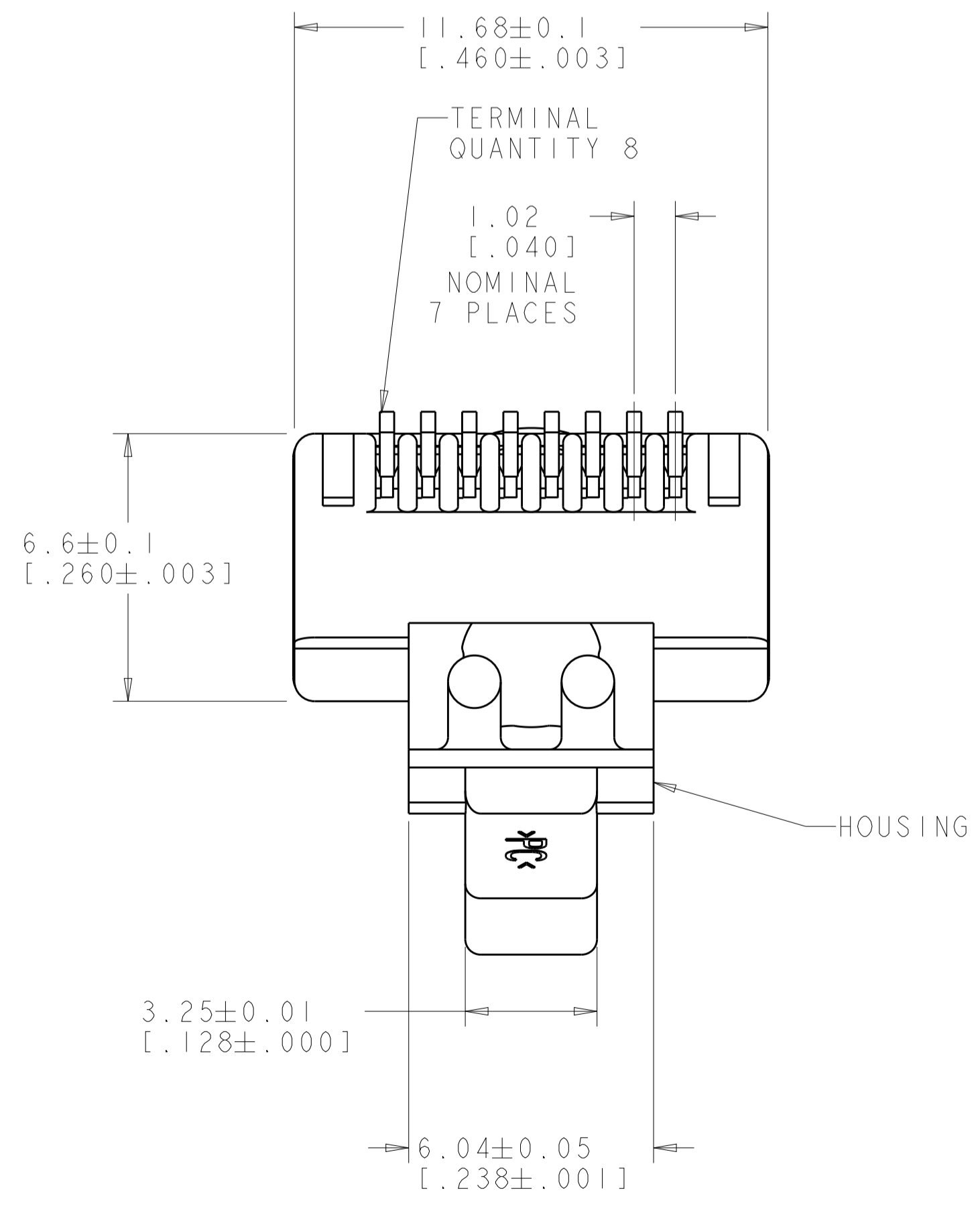
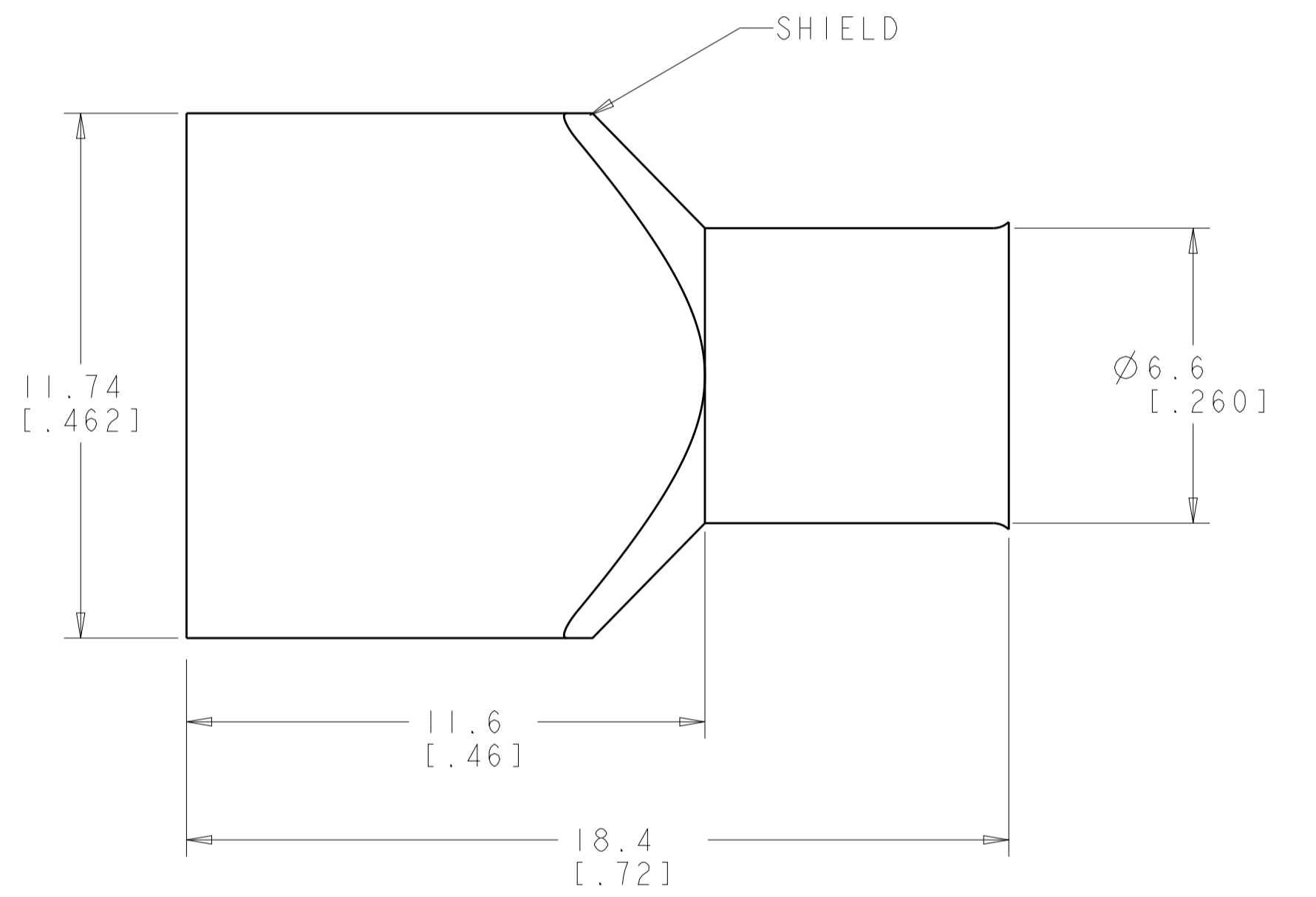
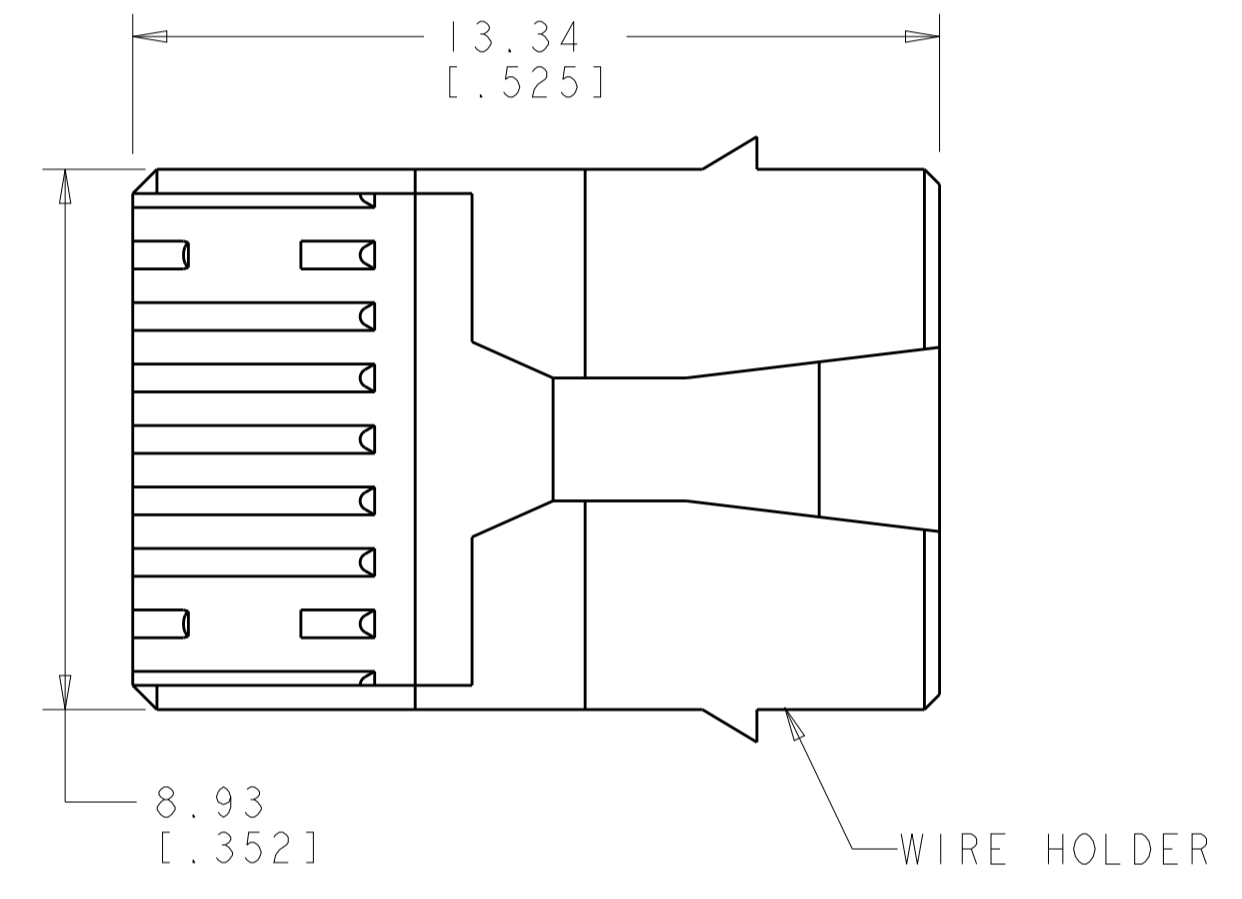
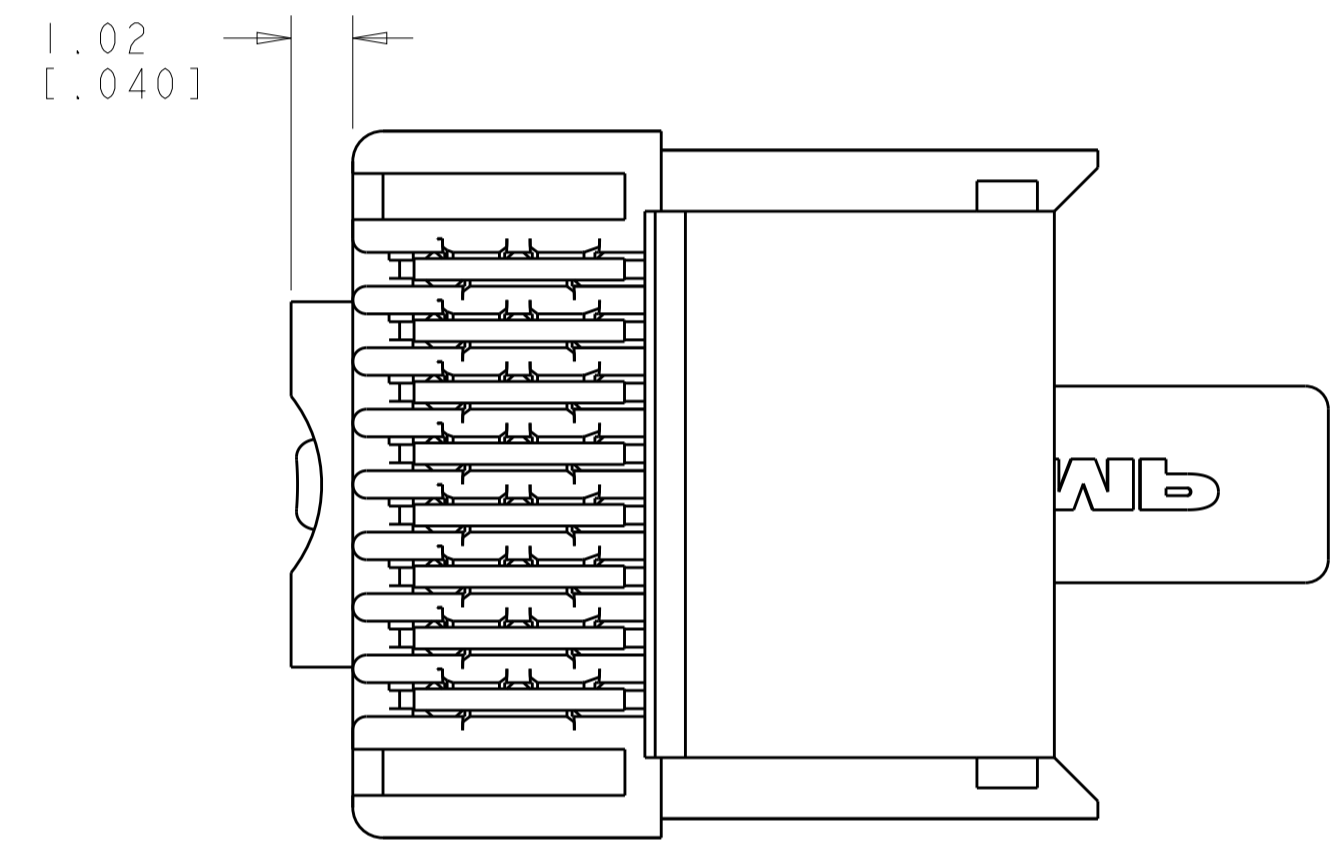


LOC		DIST		REVISIONS			
HM	00	P	LTN	DESCRIPTION	DATE	DWN	APVD
		E		REVISED PER ECO-11-005027	14MAR2011	RK	HMR
		F		REVISED PER ECO-12-012703	03JULY2012	JB	JG
		G		REVISED PER ECO-13-015339	04OCT2013	JB	JG



SCALE 4:1

- ⚠ MATERIAL: HOUSING - 94V-0 RATED POLYCARBONATE CLEAR TERMINAL - 0.36 [0.014] THICK PHOSPHOR BRONZE PLATED WITH 1.27 μm [0.00050] MINIMUM THICK GOLD IN LOCALIZED AREA OVER 2.54 μm [0.00100] MINIMUM THICK NICKEL UNDERPLATE. WIRE HOLDER - POLYCARBONATE MAKROLON CLEAR. SHIELD - BRASS DIN 17660 - CuZn33
- ⚠ DIMENSIONS ARE NOMINAL UNLESS OTHERWISE SPECIFIED.
- 3. PLUG WILL ACCEPT A 23-24 AWG SOLID CONDUCTOR, PROVIDED THE INSULATION CONDUCTOR DIAMETER IS WITHIN .89 - 1.09 [0.035 - .043]; WITH THE SUM OF DIAMETERS FOR ALL EIGHT CONDUCTORS WITHIN THE CABLE MUST NOT EXCEED 7.8MM [0.31 IN]. CABLE JACKET DIAMETER OF 5.0 - 6.0MM [0.20-.24 IN].
- ⚠ 4. TERMINATED DIMENSION 6.15 [0.242] MAXIMUM.
- ⚠ 5. PACKAGE 1,000 ASSEMBLIES, 1,000 WIRE HOLDERS, AND 1,000 SHIELDS.
- ⚠ 6. PACKAGE 100 ASSEMBLIES, 100 WIRE HOLDERS, AND 100 SHIELDS.
- ⚠ 8. PACKAGE 500 ASSEMBLIES, 500 WIRE HOLDERS, AND 500 SHIELDS.
- 9. MODULAR PLUG BOOT PART NUMBER 737893-X (X-DENOTES VARIOUS COLORS) MAY BE USED WITH KIT ASSEMBLY SHOWN.
- 10. UL RECOGNIZED: FILE NUMBER E81956.



⚠ 6	5-1375204-3
⚠ 8	5-1375204-2
⚠ 5	5-1375204-1
PACKAGE	PART NO.

THIS DRAWING IS A CONTROLLED DOCUMENT.

DWN: L. HALL 30JUL2001
 CHK: M. DELPHIAS 06AUG2001
 APVD: M. DELPHIAS 06AUG2001

TE Connectivity

NAME: KIT, 8 POSN, MOD PLUG, SOLID WIRE, CAT 6

PRODUCT SPEC: 108-1990
 APPLICATION SPEC: 114-13035

SIZE: A1 CAGE CODE: 00779 DRAWING NO: 1375204

RESTRICTED TO: G

CUSTOMER DRAWING SCALE: 8:1 SHEET 1 OF 1 REV G