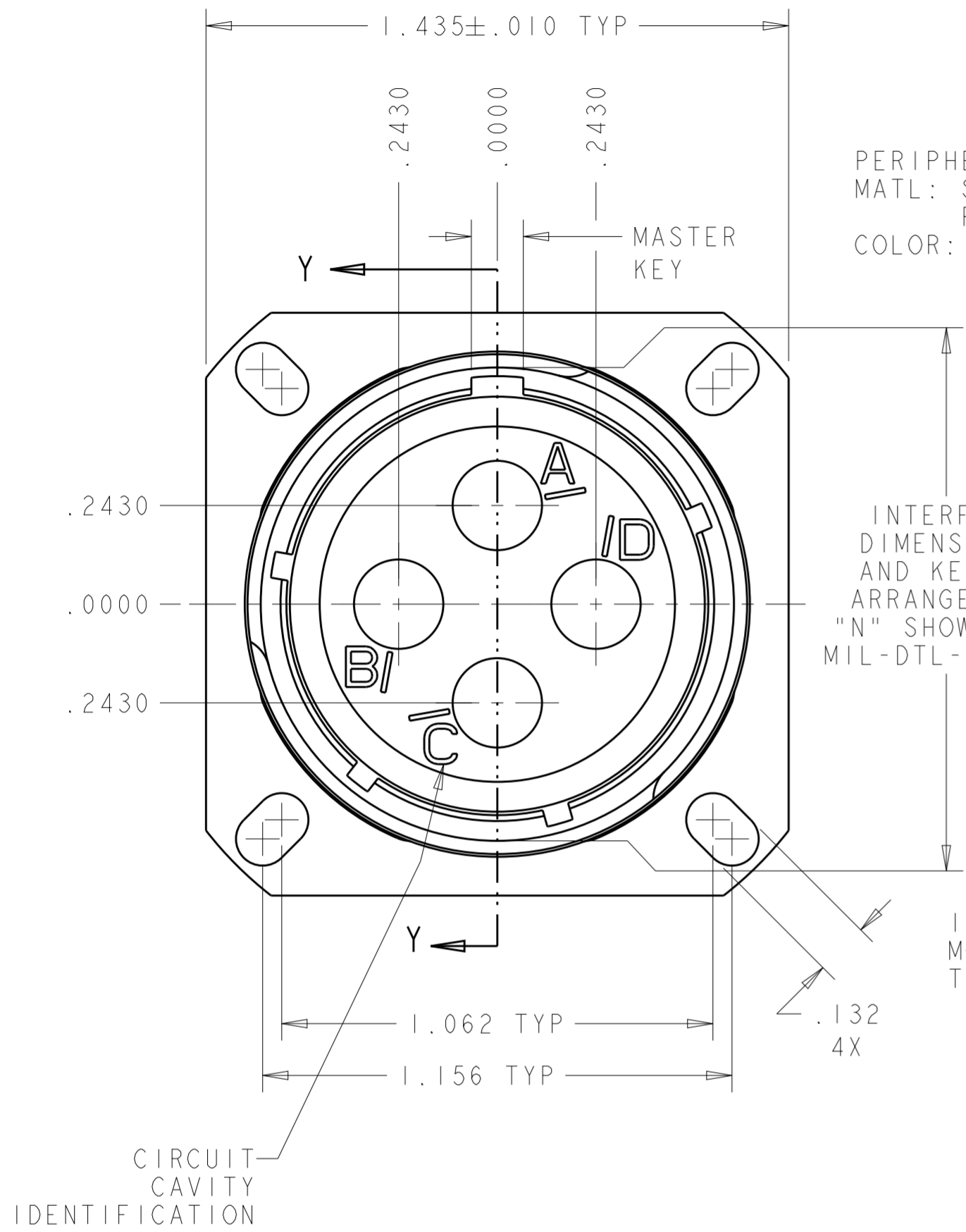


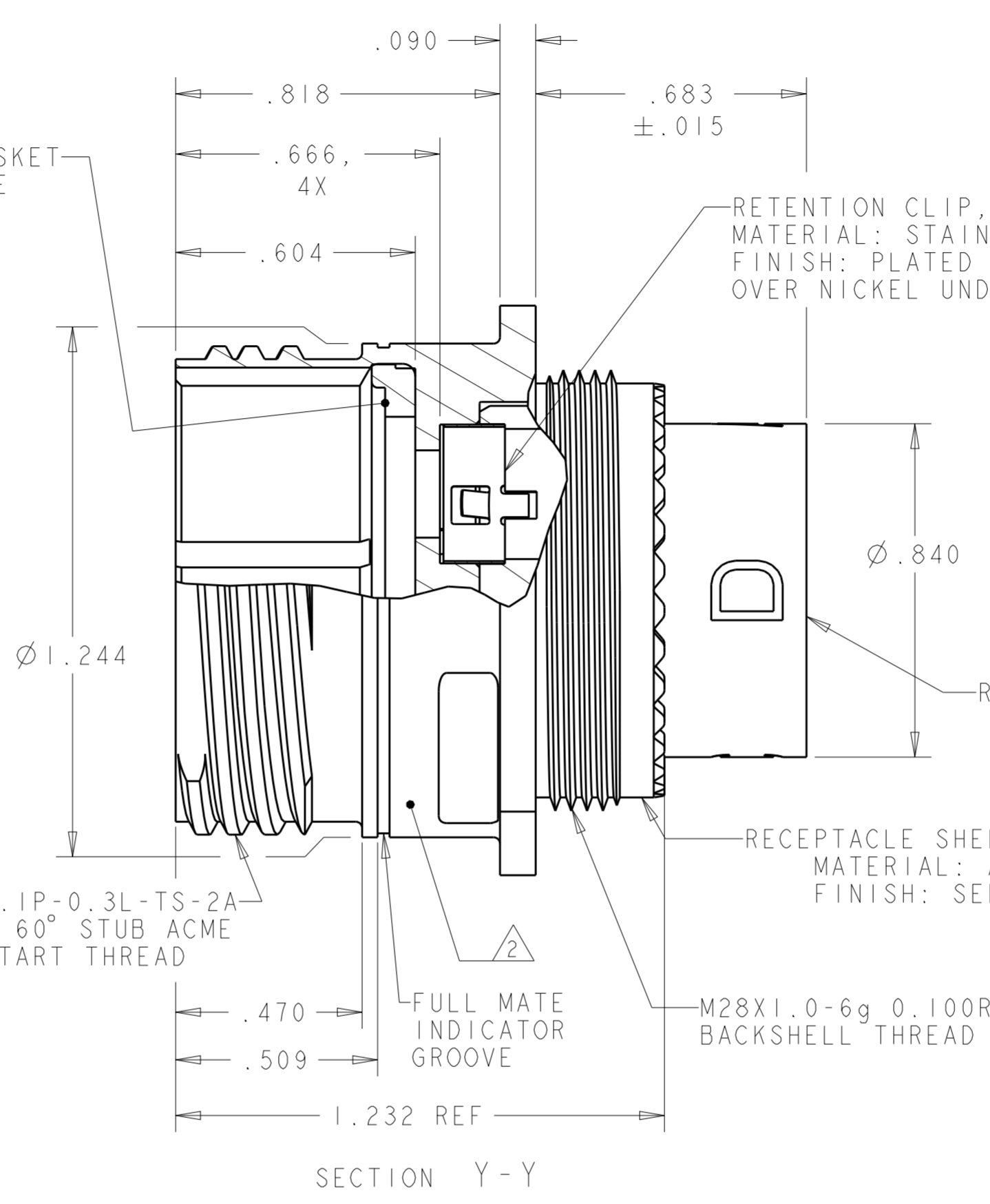
THIS DRAWING IS UNPUBLISHED. RELEASED FOR PUBLICATION 20
 © COPYRIGHT 20 BY - ALL RIGHTS RESERVED.

REVISIONS				
P	LTR	DESCRIPTION	DATE	APVD
E1		REV PER ECO 14-002547	4-24-14	CT DM



PERIPHERAL GASKET
 MATL: SILICONE RUBBER
 COLOR: RED

INTERFACE DIMENSIONS AND KEYWAY ARRANGEMENT "N" SHOWN PER MIL-DTL-38999K

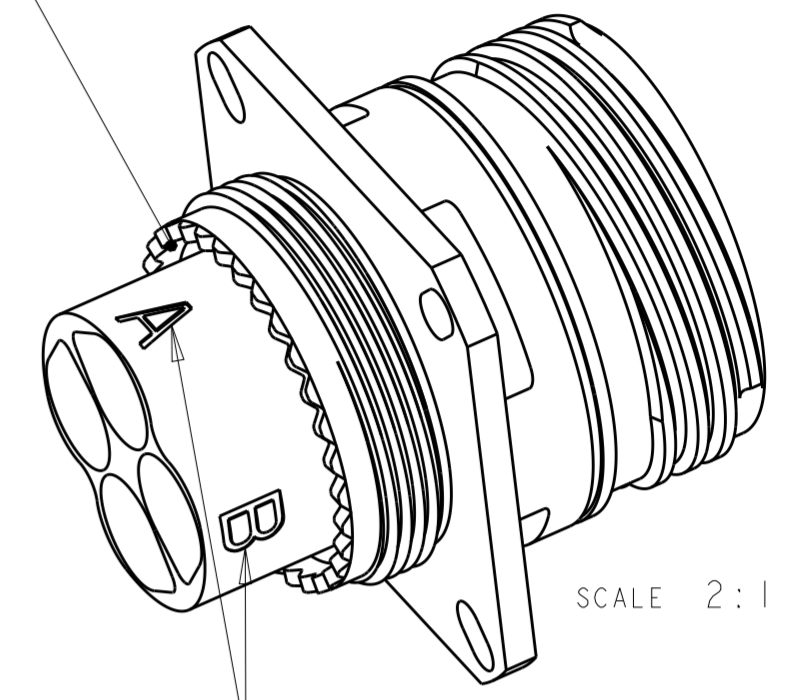


RTV SEALANT (MIL-A-46146)

RETENTION CLIP, QTY=4
 MATERIAL: STAINLESS STEEL
 FINISH: PLATED SILVER OVER NICKEL UNDERPLATE

REAR RETAINER
 MATERIAL: CONDUCTIVE COMPOSITE THERMOPLASTIC

RECEPTACLE SHELL
 MATERIAL: ALUMINUM ALLOY
 FINISH: SEE TABLE



CIRCUIT IDENTIFICATION MARKED ON OUTER CIRCUMFERENCE APPROX AS SHOWN.

CIRCUIT CAVITY IDENTIFICATION

SECTION Y-Y

OLIVE DRAB	-	B	1-1811901-8
OLIVE DRAB	-	A	1-1811901-7
OLIVE DRAB	-	N	1-1811901-6
NICKEL	1877039-2	B	1-1811901-5
NICKEL	1877039-2	A	1-1811901-4
NICKEL	1877039-2	N	1-1811901-3
OLIVE DRAB	1445692-3	B	1-1811901-2
OLIVE DRAB	1445692-3	A	1-1811901-1
OLIVE DRAB	1445692-3	N	1-1811901-0
NICKEL	-	B	1811901-9
NICKEL	-	A	1811901-8
NICKEL	-	N	1811901-7
NICKEL	1445692-3	B	1811901-3
NICKEL	1445692-3	A	1811901-2
NICKEL	1445692-3	N	1811901-1
SHELL FINISH	QUADRAX CONTACT QTY=4	SHELL KEYING ARRANGEMENT	PART NUMBER

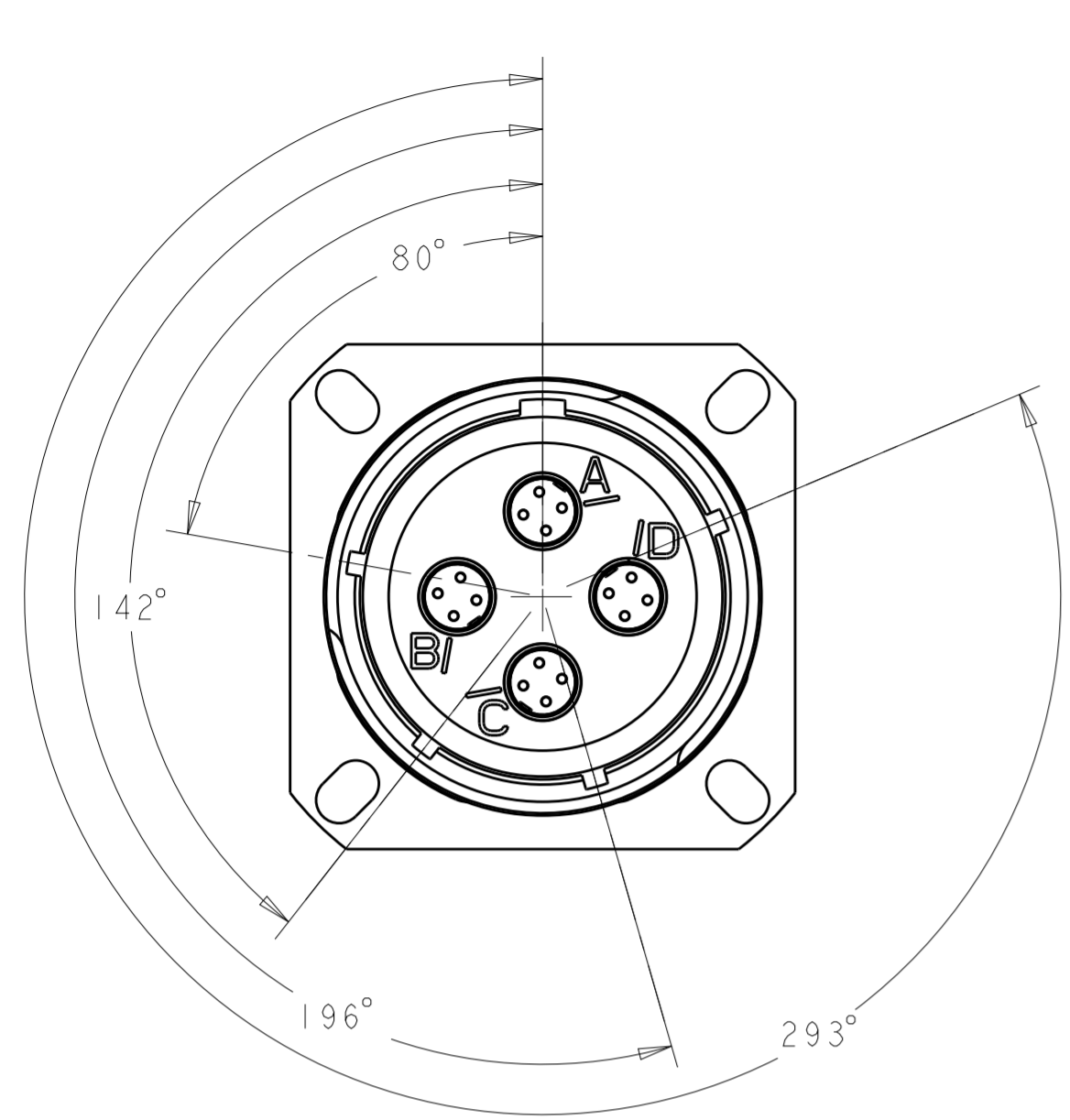
- THIS CONNECTOR ACCEPTS TYCO ELECTRONICS QUADRAX SOCKET ASSEMBLY; PART NUMBER 1445692-3 or 1877039-2.
- PART IS MARKED WITH TYCO ELECTRONICS PART NO. (SEE TABLE), TYCO ELECTRONICS LOGO OR TE, TYCO ELECTRONICS CAGE CODE, AND DATE CODE.
- OPERATING TEMPERATURE RANGE: -65°C TO +125°C (-85°F TO +257°F).
- QUADRAX PIN ASSEMBLY, 1445692-3 SHOWN FOR REF ONLY
 -1, -2, -3, -10, -11, -12, -13, 14, & 15: CONTACT PROVIDED UN-ASSEMBLED
 -7, -8, & -9 : CONTACT SOLD SEPARATELY
- THE CONNECTOR QUALIFICATION WAS COMPLETED PER TYCO ELECTRONICS 108-2199. THE QUADRAX CONTACTS ARE QUALIFIED PER TYCO ELECTRONICS 108-2131. THE REFERENCE TEST REPORTS ARE TYCO ELECTRONICS 501-660 FOR THE CONNECTOR AND 501-574 FOR THE CONTACTS WHICH ARE SAME AS ARINC 600-13, DRAFT 2 OF SUPPLEMENT 14 (AIR TRANSPORT AVIONICS EQUIPMENT INTERFACES).

THIS DRAWING IS A CONTROLLED DOCUMENT.

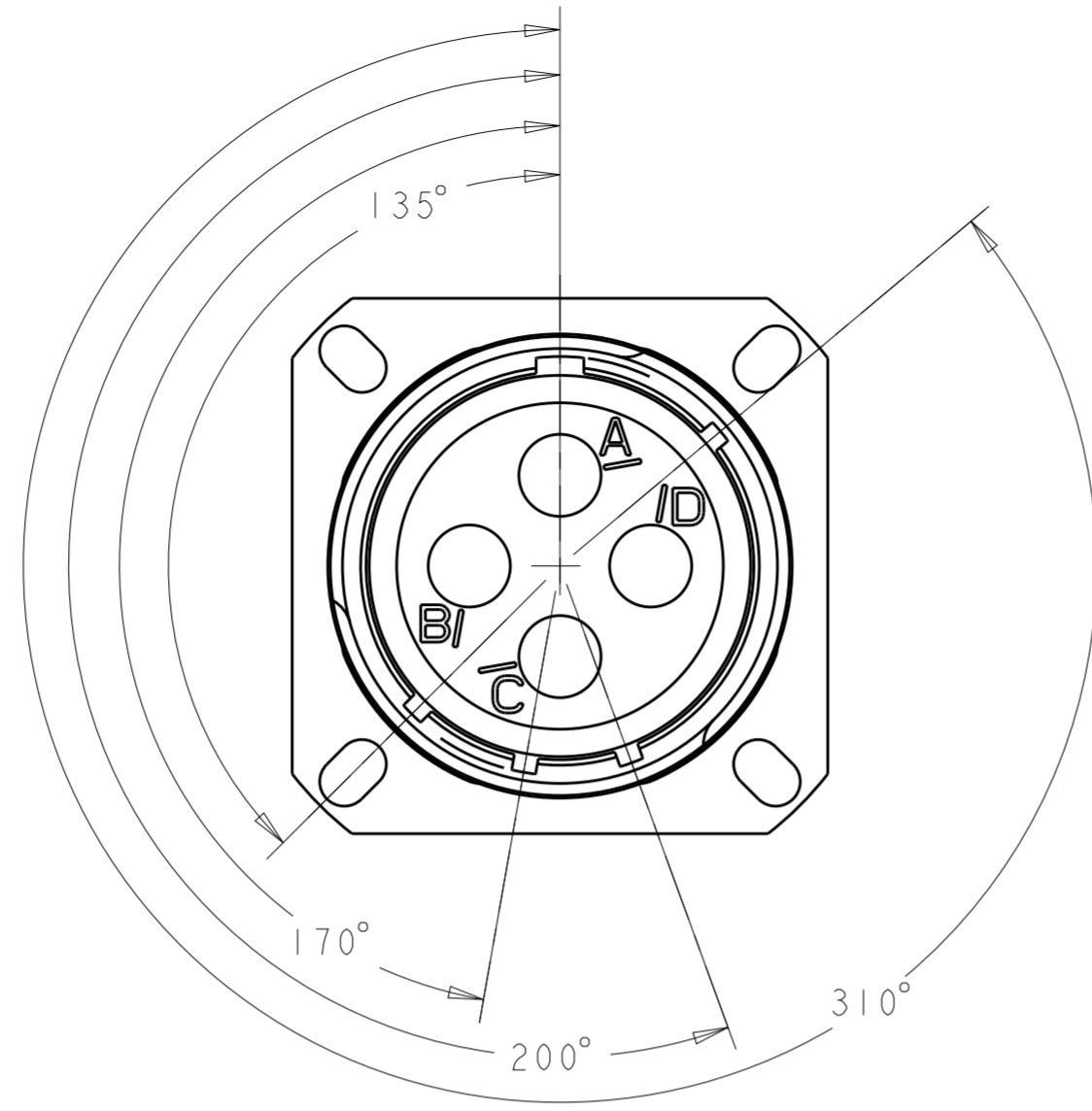
DIMENSIONS: INCHES	TOLERANCES UNLESS OTHERWISE SPECIFIED:	DWN R FLAIG 02AUG2005	TE Connectivity
	0 PLC ±.1	CHK L OH 02AUG2005	
	1 PLC ±.01	APVD L OH 02AUG2005	
MATERIAL	2 PLC ±.005	PRODUCT SPEC	NAME ASSY, RECEPTACLE, SIZE 19, 404, M38999 STYLE
	3 PLC ±.0020	APPLICATION SPEC	SIZE A2 CAGE CODE - DRAWING NO C-1811901 RESTRICTED TO -
	4 PLC ANGLES ±1°	WEIGHT	SCALE 3:1 SHEET 1 OF 2 REV E1
	FINISH	CUSTOMER DRAWING	

THIS DRAWING IS UNPUBLISHED. RELEASED FOR PUBLICATION 20
 © COPYRIGHT 20 BY - ALL RIGHTS RESERVED.

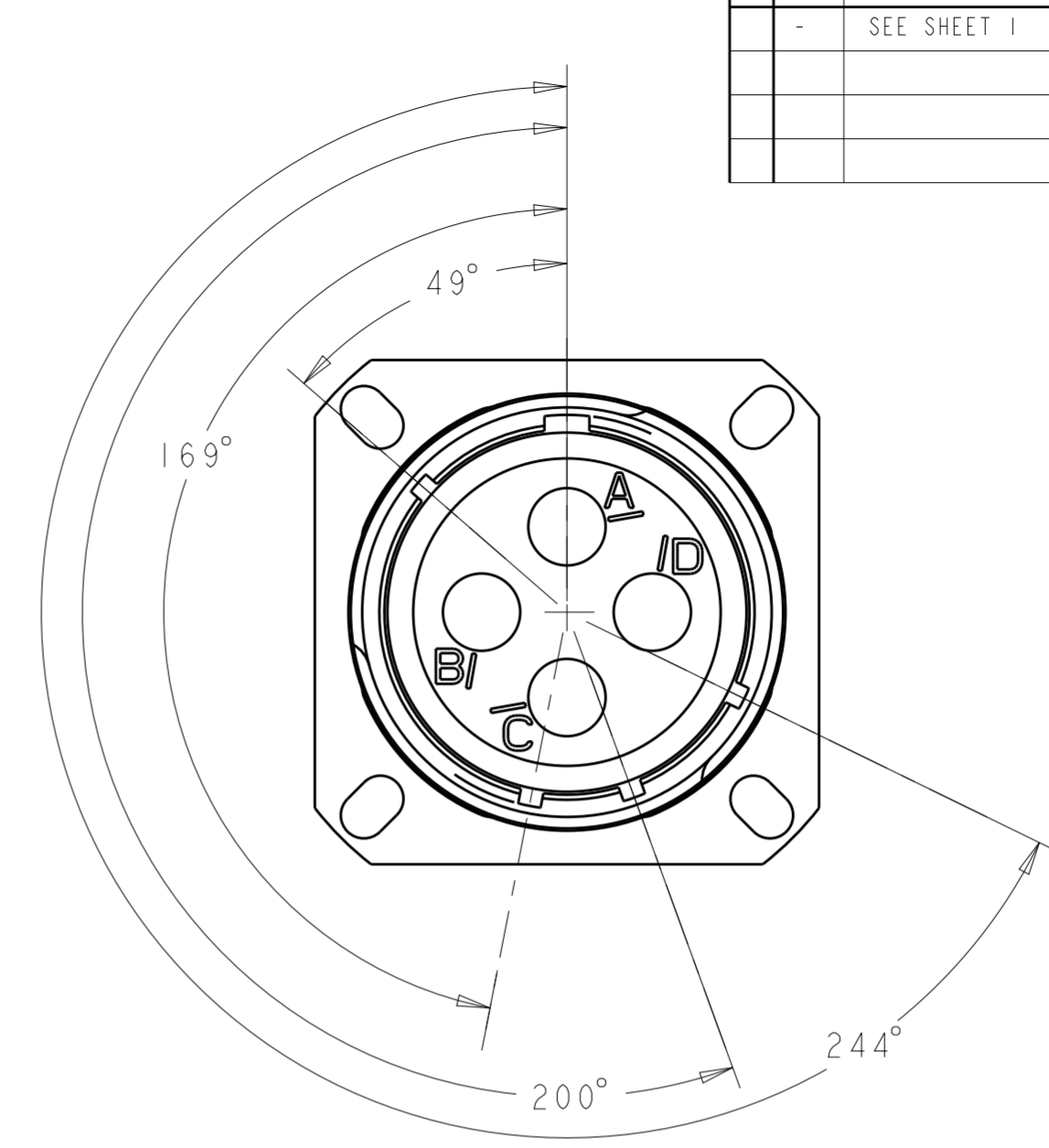
REVISIONS				
P	LTR	DESCRIPTION	DATE	APVD
-	-	SEE SHEET 1	-	-



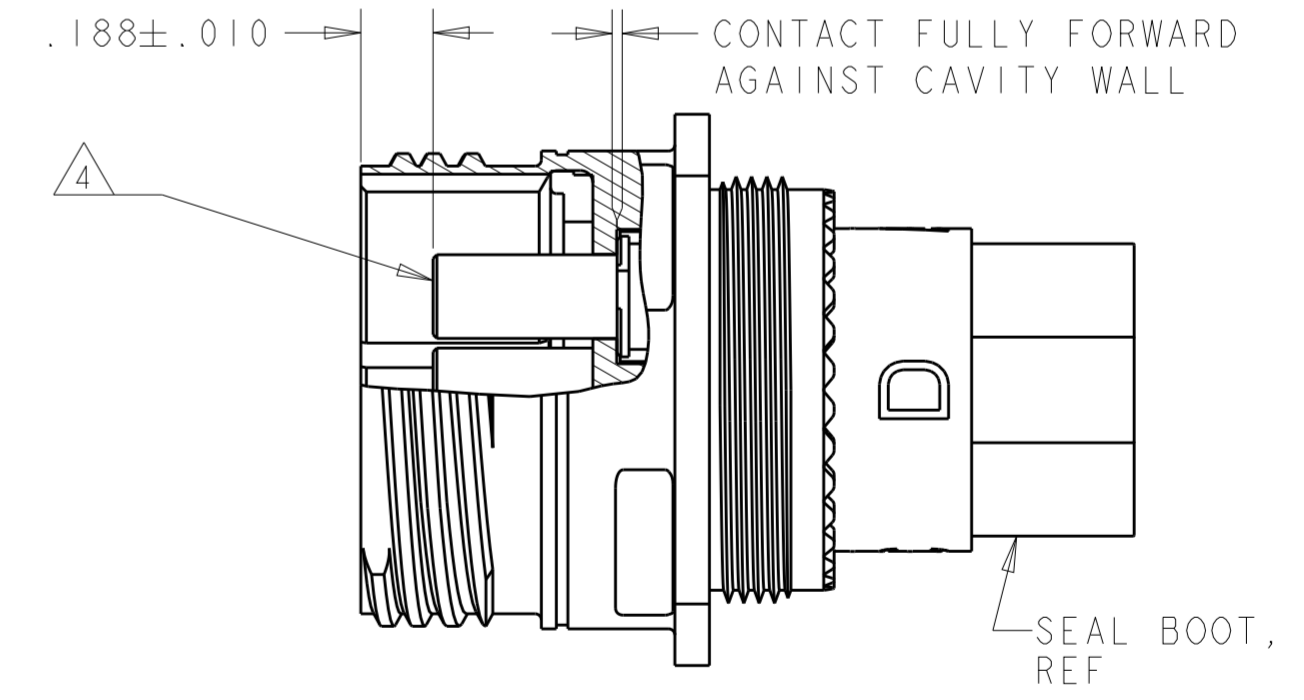
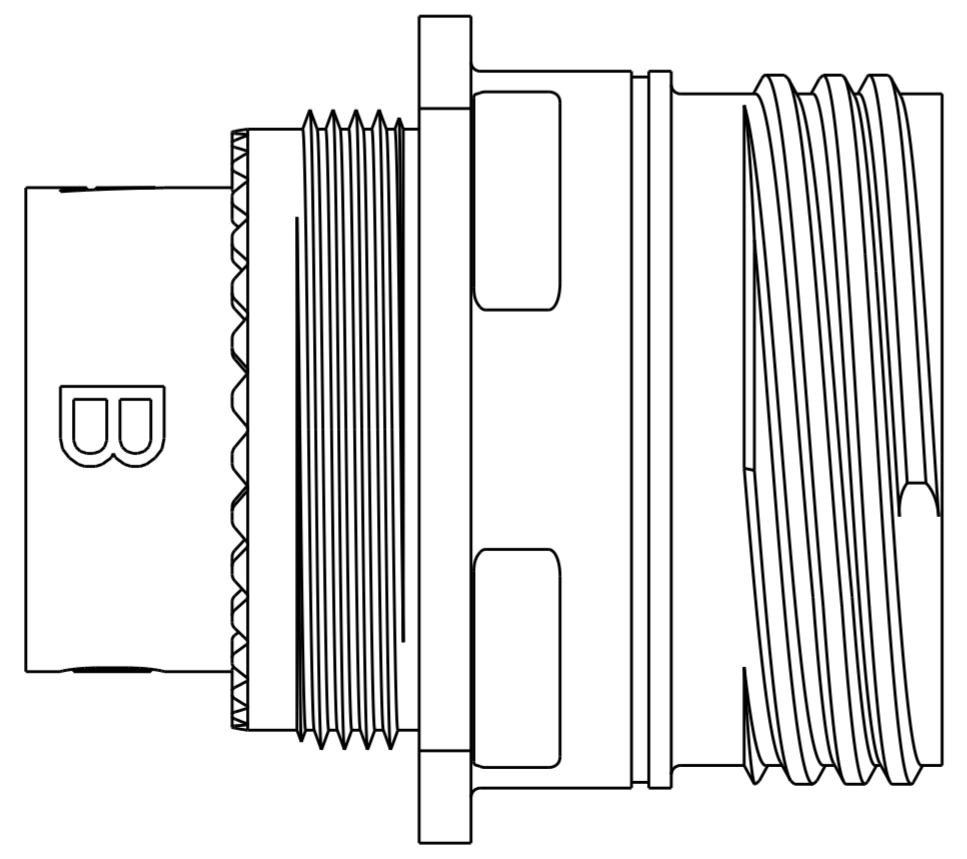
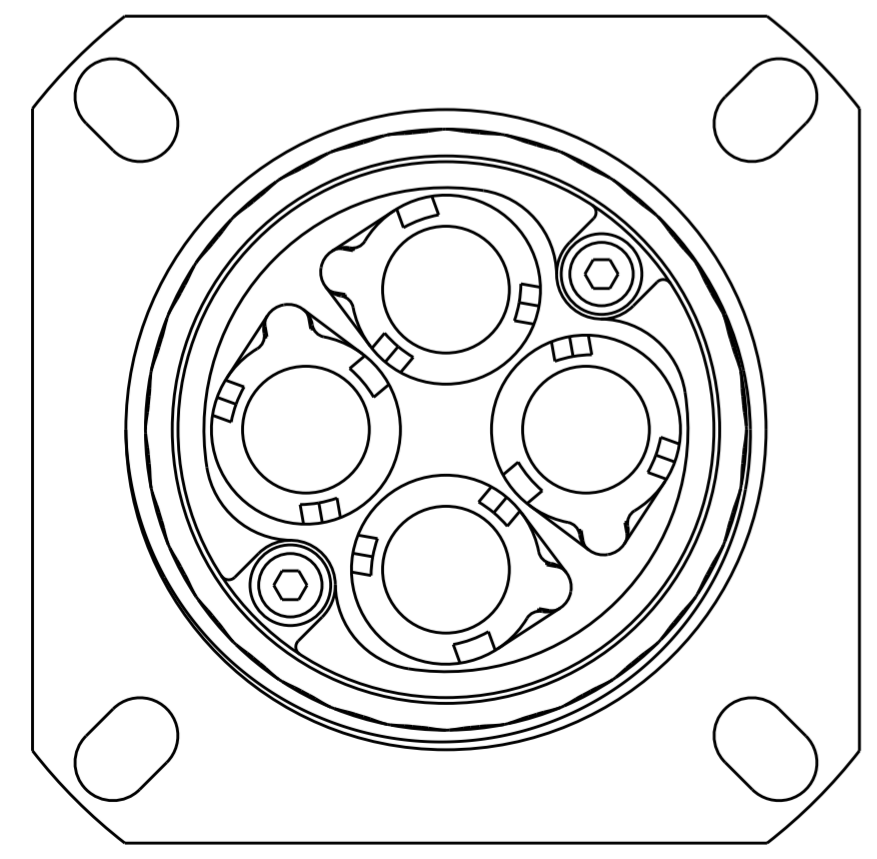
1811901-1
"N" POLARIZATION



1811901-2
"A" KEY POLARIZATION



1811901-3
"B" KEY POLARIZATION



SECTION Y-Y
SCALE 2:1

THIS DRAWING IS A CONTROLLED DOCUMENT.		DWN R FLAIG	02AUG2005	 TE Connectivity
DIMENSIONS: INCHES		CHK L OH	02AUG2005	
TOLERANCES UNLESS OTHERWISE SPECIFIED:		APVD L OH	02AUG2005	
0 PLC ±.1 1 PLC ±.01 2 PLC ±.01 3 PLC ±.005 4 PLC ±.0020 ANGLES ±1° FINISH		PRODUCT SPEC	-	
MATERIAL	-	APPLICATION SPEC	-	NAME ASSY, RECEPTACLE, SIZE 19, 404, M38999 STYLE
CUSTOMER DRAWING		WEIGHT	-	SIZE A2
		SCALE	3:1	CAGE CODE G-1811901
		SHEET	2 OF 2	RESTRICTED TO
		REV	E1	