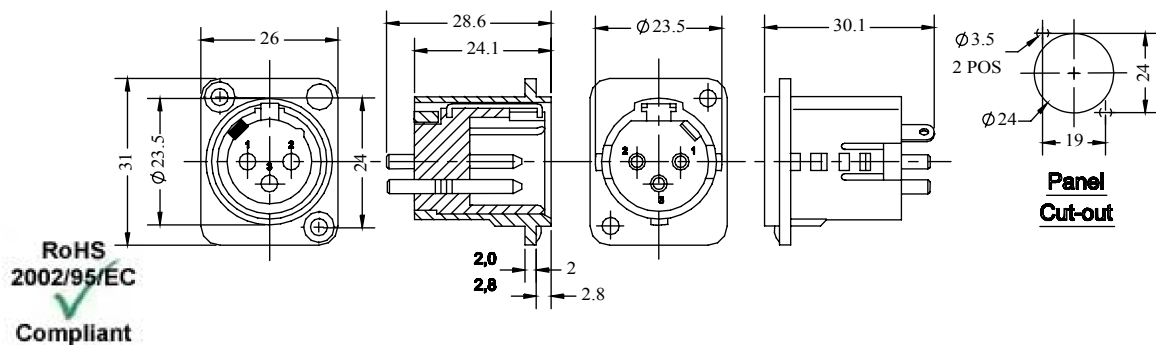


The 7000 Universal Range of audio and Video Connectors employs many innovative features unique to the Deltron series. They are suitable for use in both commercial and industrial electronic applications, where reliability, simple operation and the elimination of RF and mechanical interference is necessary. Common uses included mixing desks, tape recorders, video recorders, DAT recorders and test instructions.

Features

- completely interchangeable with all leading manufactures of XLRs.
- can be mounted from either the front or rear face
- HOUSING: a rugged diecasting offering full RF protection, with small industrial standard flange.
- INSERT: thermoplastic with high mechanical, thermal and electrical properties, excellent chemical resistance and dimensional stability.
- CONTACTS: precision machined in brass with generous solder buckets to accept a wide range of cable sizes.
- SHELL TO GROUND TERMINAL: silver plated straight through connection.

Dimensions



Deltron Part No	Silver Contacts		Gold Contacts	
	Nickel	Black	Nickel	Black
3-way	717-0300	719-0300	723-0300	725-0300
4-way	717-0400	719-0400	723-0400	725-0400
5way	717-0500	719-0500	723-0500	725-0500

Specification Mechanical Properties
Housing

Zinc high pressure diecast
Satin nickel or black chrome
Valox DR48 UL 94V-0
Brass, 3 microns silver, anti-tarnish

Contact Base
Contacts

Finish, or 0.5 microns gold
Spring Steel, Nickel plate
3 microns silver plate

Earth Tag

Electrical
Rated Voltage
Test Voltage
Insulation Resistance
After damp heat
Contact Resistance
Current Rating at 40 deg C

50 V a.c.
1000 V r.m.s.
103 MΩ
500 MΩ
10 mΩ max
3 pin - 15 amp
4 pin - 10

Current Rating at 70 deg C

5 pin - 7.5 amp
3 pin - 7.5 amp
4 pin - 5

Terminal wire sizes

5 pin - 3 amp
3 pin 2.5 mm² / 14 AWG
4 pin 1.5 mm² / 16 AWG
5 pin 1.0 mm² / 18 AWG

Climatic
Climatic category
Temperature Range
Damp heat, steady state

25/070/04
-25°C to +70°C
4 days

Tel No. +44(0)1724 273200 Website www.dem-uk.com



PROPRIETARY AND CONFIDENTIAL
THE INFORMATION CONTAINED IN THIS DRAWING IS THE SOLE PROPERTY OF ALPHA 3 MANUFACTURING.
ANY REPRODUCTION IN PART OR AS A WHOLE WITHOUT THE WRITTEN PERMISSION OF ALPHA 3 MANUFACTURING IS PROHIBITED.

DEM
DEM Manufacturing, Deltron Emcon House
Hargreaves Way, Sawcliffe Ind. Park,
Scunthorpe, North Lincolnshire, DN15 8RF, UK

UNLESS OTHERWISE SPECIFIED:
DIMENSIONS ARE IN MILLIMETRES
LINEAR TOLERANCE:
NO DECIMAL PLACES ±0.5mm
1 DECIMAL PLACE ±0.25mm
2 DECIMAL PLACES ±0.125mm
ANGULAR TOLERANCE: ±1°

FINISH PROFESSIONAL QUALITY CHASSIS PLUG
IF IN DOUBT ASK DO NOT SCALE DRAWING
MATERIAL N/A

DEBURR AND BREAK SHARP EDGES
DRAWN BY SPB
APPROVED BY WC
THIRD ANGLE PROJECTION
SHEET 1 OF 1
SCALE 1:1
A4

TITLE GENERAL SPECIFICATION MULTIPOLE CONNECTOR CHASSIS PLUG
DRAWING NO. 717-719-723-725
ISSUE 11
Release