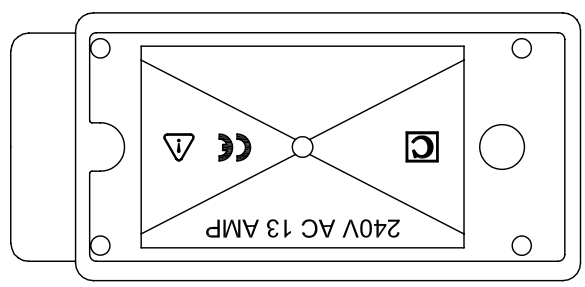
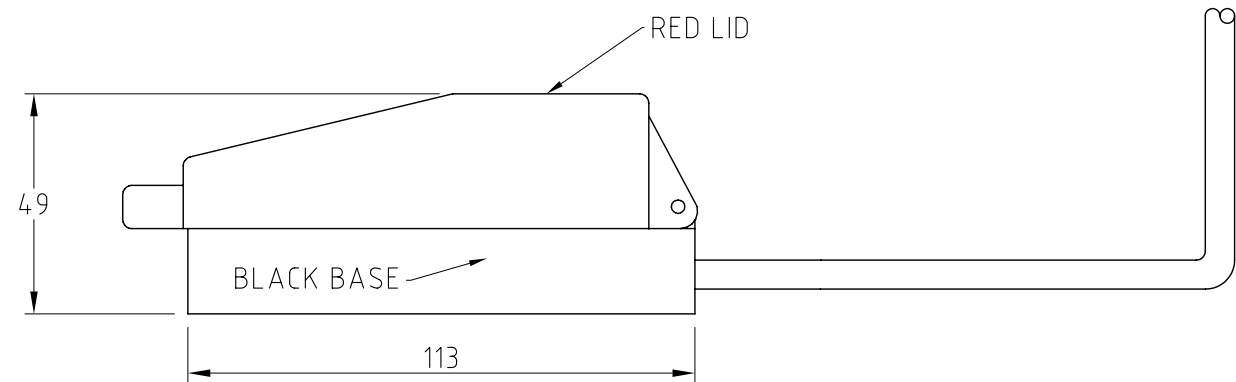
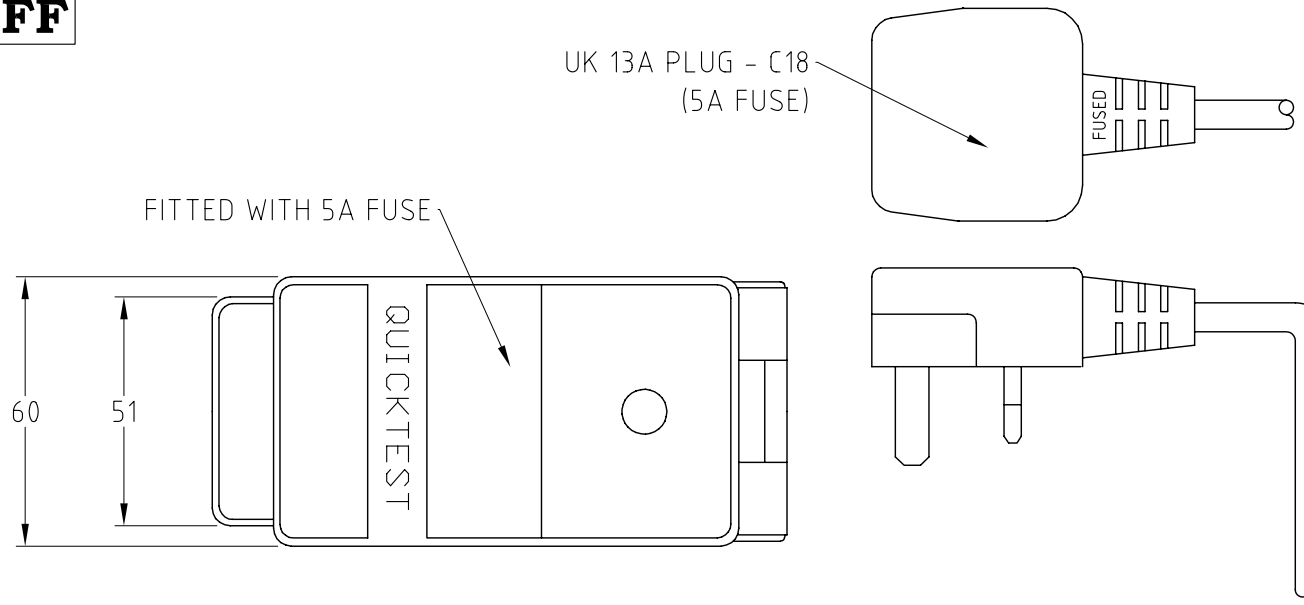


ISS.	AMEND	DATE
1	WAS ON DRW CL18525	04/09/12



PACKING:
 A) COIL CABLE AND PACK IN POLY BAG.
 B) ADD QT LEAFLET.
 C) AFFIX CL18528 FARNELL LABEL TO LID (USE OD1903)

RoHS
COMPLIANT

TOLERANCE
 NO DEC. PLACE ±2.0
 1 DEC. PLACE ±
 2 DEC. PLACE ±
 HOLE Ø ±
 ANGLES ±
 UNLESS OTHERWISE STATED

Cliff Electronic Components Ltd.
 76 Holmethorpe Avenue, Holmethorpe Industrial Estate,
 Redhill, Surrey, RH1 2PF, England, UK
 Tel: 01737-771375 Fax: 01737-766012 Website: www.cliffuk.co.uk

DIMENSIONS IN MILLIMETERS UNLESS OTHERWISE STATED. WORK TO DIMENSIONS. REMOVE ALL BURRS. IF IN DOUBT ASK.

3rd ANGLE PROJECTION:

DO NOT SCALE

MATERIAL: COMPOSITE
 FINISH: AS MOULDED

TITLE: C18 2m QT1 5A FARNELL 658 728

THE CONTENTS OF THIS DOCUMENT MUST NOT BE COPIED OR DISCLOSED TO A 3rd PARTY WITHOUT WRITTEN PERMISSION OF CLIFF UK. © 1994

DRAWN: T.J.O.

APPROVED: D.P.J.

DRWG. No. **CL18528**

FORM: A4DRWGH