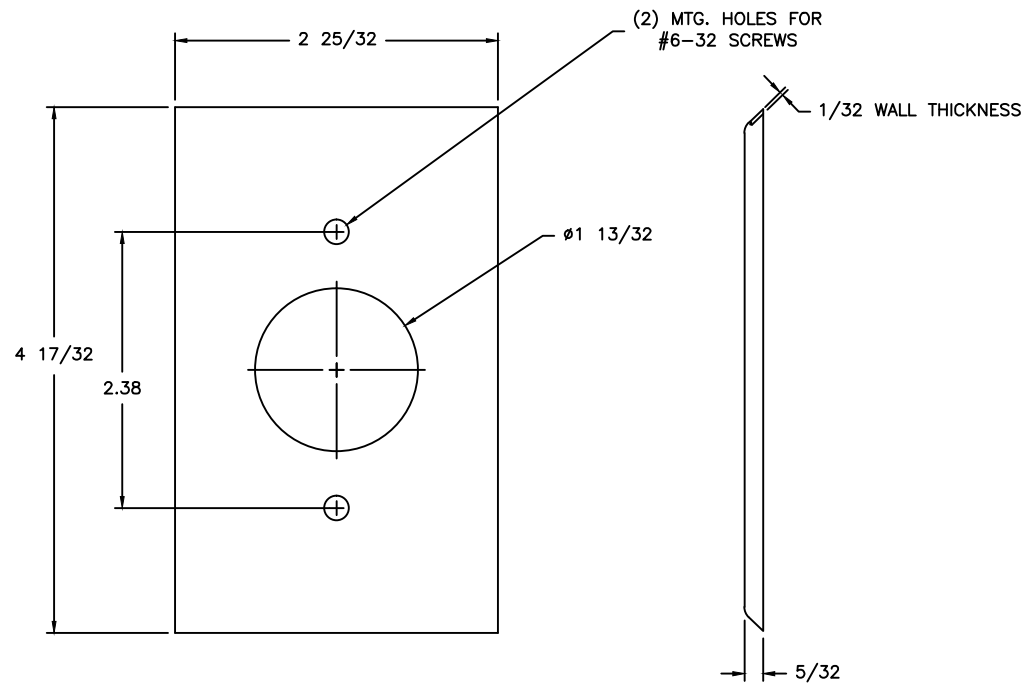


CONDUIT BOX MOUNTING PLATE
(.06" THICK ALUMINUM)

EWS-MB



WALL PLATE
(SS, BRUSH FINISH)

EWS-MB