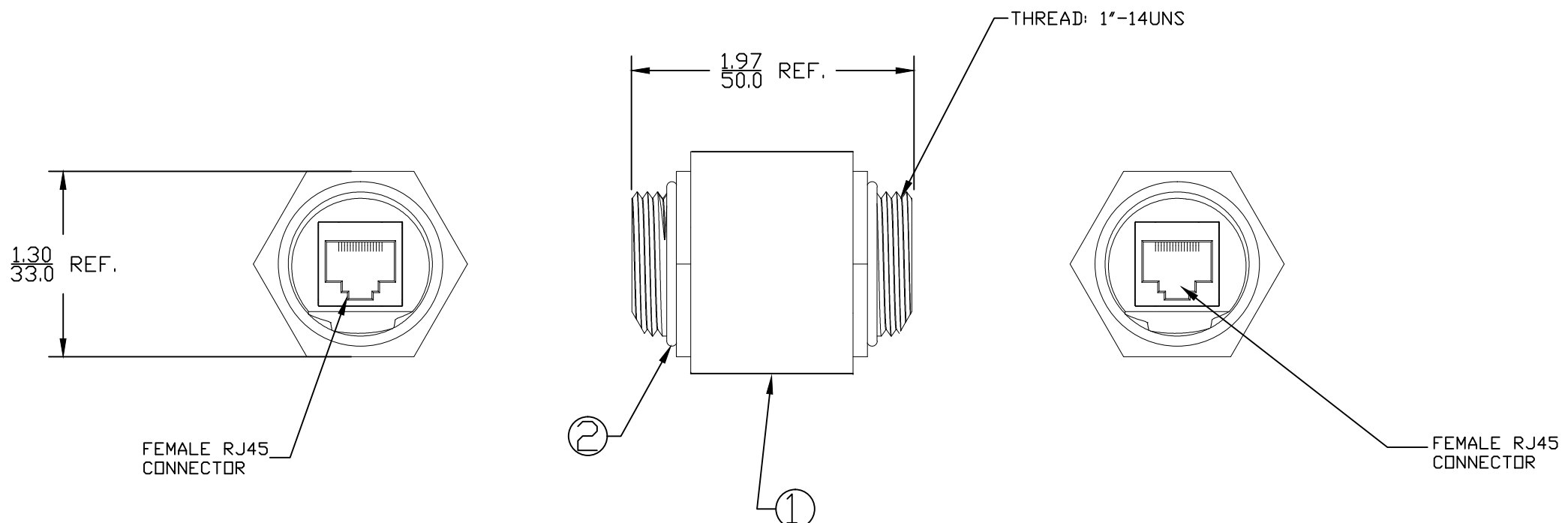
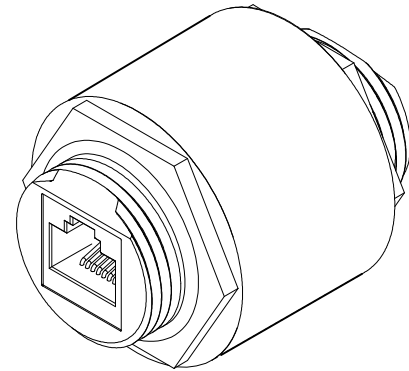


MATERIAL NUMBER	ENGINEERING NUMBER
1300580057	RJBG16821



NOTES:
 1) MATERIAL: SEE TABLE
 2) FINISHES: SEE TABLE
 3) ELECTRICAL DATA:
 VOLTAGE RATING: 125 VDC
 CURRENT RATING: 1.5A
 CATEGORY RATING: CAT5
 4) ENVIRONMENTAL:
 PROTECTION IP67
 OPERATING TEMPERATURE RANGE: -20C TO 80C

2	2	O-RING	VITON	BLACK
1	1	RECEPTACLE HOUSING	DELRIN	BLACK
ITEM	QTY.	DESCRIPTION	MATERIAL	FINISH

RELEASE EC NO: IPG2013-1986 DRWN: EBRACKEN 6/24/13 CHKD: --- APPR: BWOODMAN 2010/01/22	DESCRIPTION REV	QUALITY SYMBOLS ▽=0 ◻=0	GENERAL TOLERANCES (UNLESS SPECIFIED) 4 PLACES ±--- ±--- 3 PLACES ±--- ±.005 2 PLACES ±0.13 ±.010 1 PLACE ±0.25 ±.020 ANGULAR ±1/2°	DIMENSION STYLE IN/MM DRAWN BY DATE CHECKED BY DATE BWOODMAN --- APPROVED BY DATE JFMURPHY 2010/01/22	SCALE 1:1 DESIGN UNITS INCH THIRD ANGLE PROJECTION	TITLE RJ-LNXX ADAPTOR RJ45 FEMALE TO FEMALE ADAPTOR		
		DRAFT WHERE APPLICABLE MUST REMAIN WITHIN DIMENSIONS			MATERIAL NO. SEE CHART	MOLEX INCORPORATED	DOCUMENT NO. SD-130058-006	SHEET NO. 1 OF 1
		THIS DRAWING CONTAINS INFORMATION THAT IS PROPRIETARY TO MOLEX INCORPORATED AND SHOULD NOT BE USED WITHOUT WRITTEN PERMISSION						
		SIZE B						