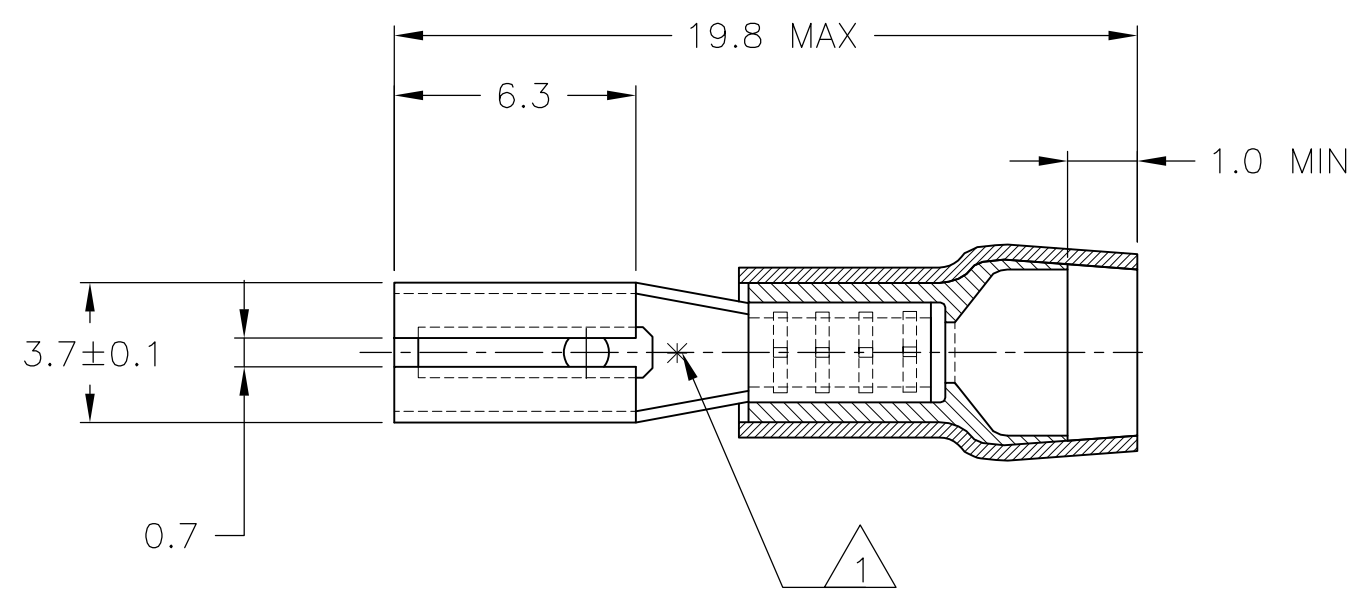


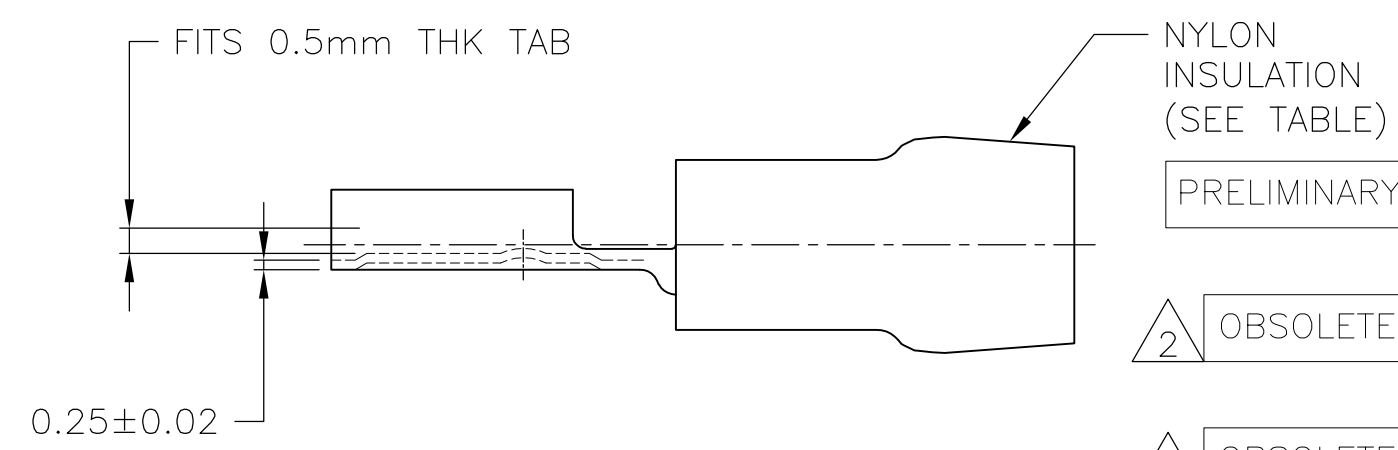
THIS DRAWING IS UNPUBLISHED. RELEASED FOR PUBLICATION  
 © COPYRIGHT - By - ALL RIGHTS RESERVED.

LOC	DIST	REVISIONS			
P	LTR	DESCRIPTION	DATE	DWN	APVD
G	02	M3	REVISED PER ECO-14-002236	15FEB2014	NK DR

AMP WIRE RANGE	AMP INSULATION RANGE
22-16 AWG 0.3-1.5 mm <sup>2</sup>	.140 MAX DIA 3.5 MAX DIA



- △ 1 ASTERISK \* FOR PHOS BRONZE VERSION ONLY.
- △ 2 OBSOLETE W/O REPLACEMENT.



PRELIMINARY	WHITE	-	GOLD	PHOS BRONZE	2-165565-3
	RED	-	GOLD	PHOS BRONZE	165565-6
△ 2 OBSOLETE	RED		GOLD	BRASS	165565-5
	RED	-	SILVER	PHOS BRONZE	165565-4
△ 2 OBSOLETE	RED		SILVER	BRASS	165565-3
	RED	2-165565-2	TIN	PHOS BRONZE	165565-2
	RED	2-165565-1	TIN	BRASS	165565-1
	INSULATION COLOR	PN ON TAPE	FINISH	MATERIAL	PART NUMBER

THIS DRAWING IS A CONTROLLED DOCUMENT.		DWN jr_ruth 15APR05	<b>STE</b> TE Connectivity		
DIMENSIONS: mm		CHK T MICHELUTTI 15APR05			
TOLERANCES UNLESS OTHERWISE SPECIFIED:		APVD T MICHELUTTI 15APR05	NAME RECEPTACLE, FASTON, PIDG, .110 SERIES		
0 PLC ± -		PRODUCT SPEC	-		
1 PLC ± 0.2		APPLICATION SPEC	-		
2 PLC ± -		WEIGHT	-		
3 PLC ± -		SIZE CAGE CODE DRAWING NO RESTRICTED TO			
4 PLC ± -		A3 00779 C-165565			
ANGLES ± 5°		CUSTOMER DRAWING SCALE 5:1 SHEET 1 OF 1 REV M3			
MATERIAL FINISH		-			