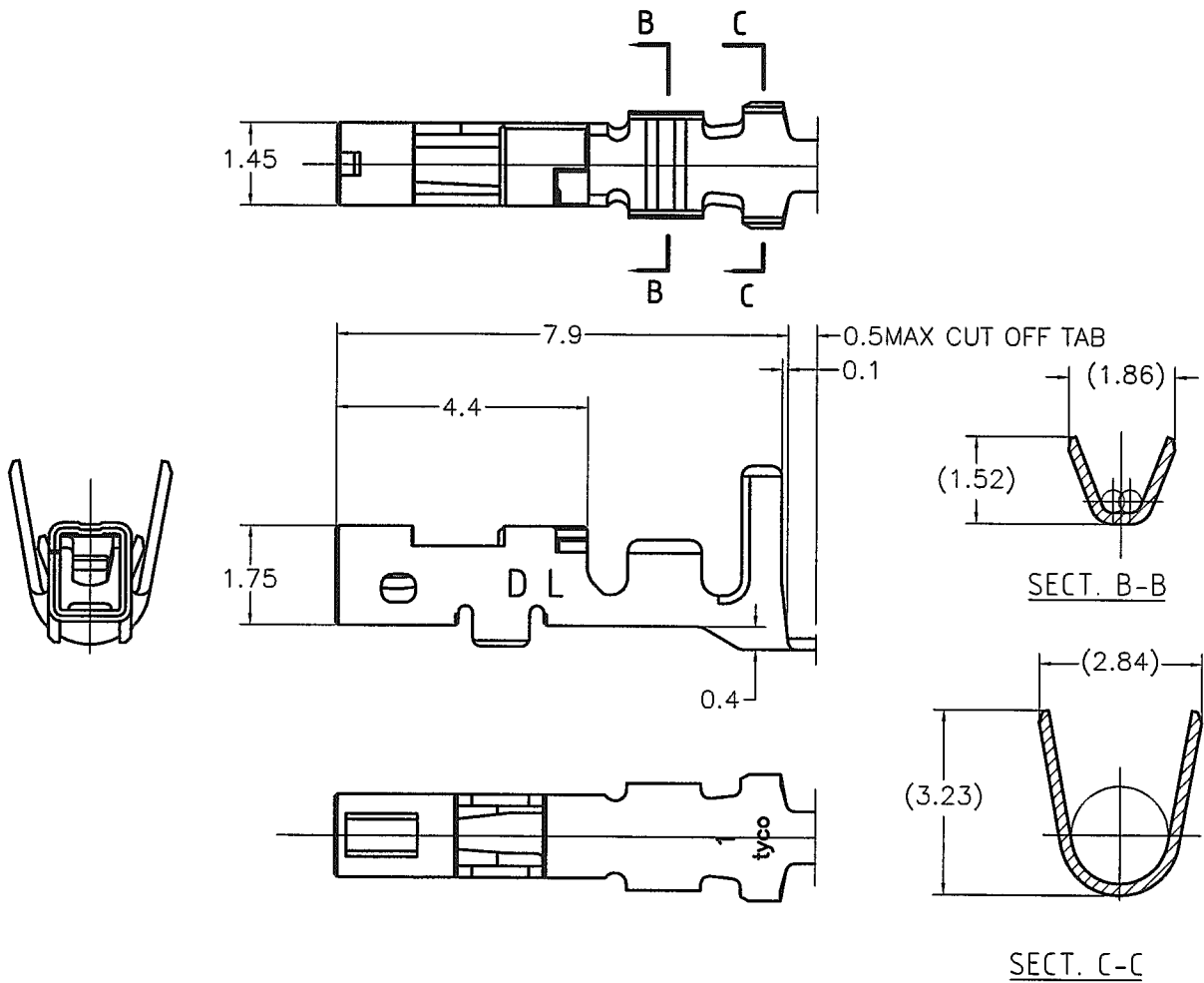


LOC	DIST	REVISIONS 変更					
J	—	P	LTR	DESCRIPTION	DATE	DWN	APVD
		A		RELEASED	23MAR2005	T.K	D.M



NOTE

1. GENERAL TOERLANCE :  $\pm 0.3, \pm 3^\circ$
2. Application REC-HSG is applied to the product of 2.5mm PITCH or more of DYNAMIC D1000SERIES. 2.0mmPITCH cannot be used

1827588-2
PART NUMBER

DIMENSIONS: 单位: 毫米 mm  TOLERANCES UNLESS OTHERWISE SPECIFIED: 一般公差  0 PLC $\pm -$ 1 PLC $\pm -$ 2 PLC $\pm -$ 3 PLC $\pm -$ 4 PLC $\pm -$ ANGLES $\pm -$	DWN T.KUDO 23MAR2005	MATERIAL 材料 COPPER ALLOY	FINISH OVER Ni PL : 1.27 $\mu$ m MIN 仕上 Au PL(CONTACT AREA):0.38 $\mu$ m MIN			
	CHK D.MITSUGI 23MAR2005	Tyco Electronics AMP K.K. Kawasaki, Japan	NAME 名称 DYNAMIC D1000 SERIES REC CONTACT (L TYPE)(L/P)			
	APVD D.MITSUGI 23MAR2005			SIZE A4	CAGE CODE 00779	DRAWING NO 番号 C-1827588
	PRODUCT SPEC 製品規格 108-78268	APPLICATION SPEC 取付適用規格 114-5377	WEIGHT —	CUSTOMER DRAWING	SCALE 尺度 8:1	SHEET 1 OF 1

THIS DRAWING IS UNPUBLISHED. ALL RIGHTS RESERVED. BY TYCO ELECTRONICS CORPORATION.