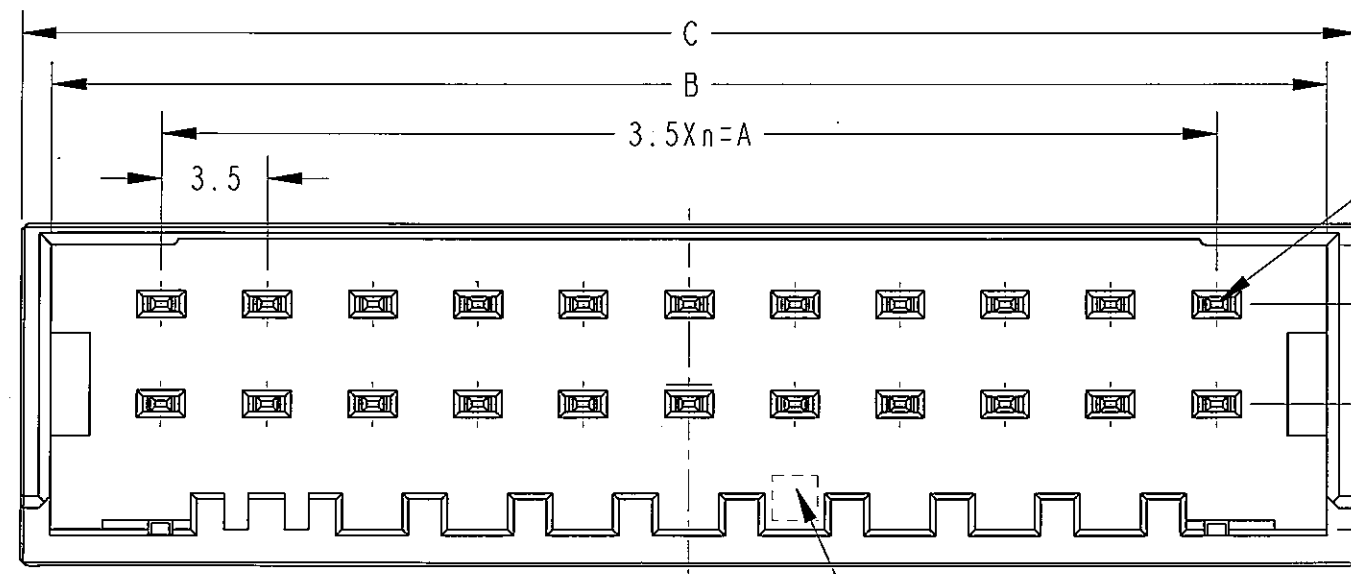
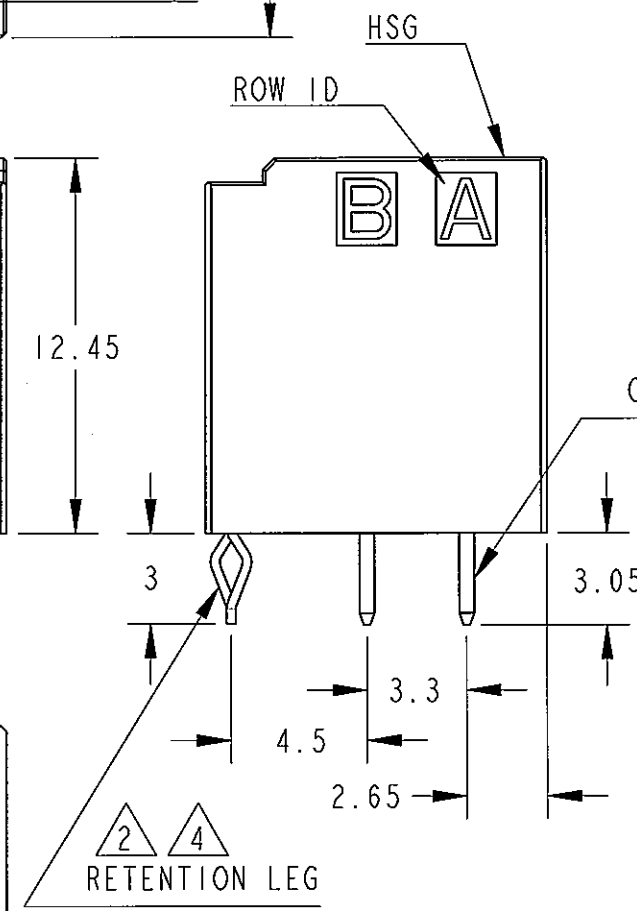
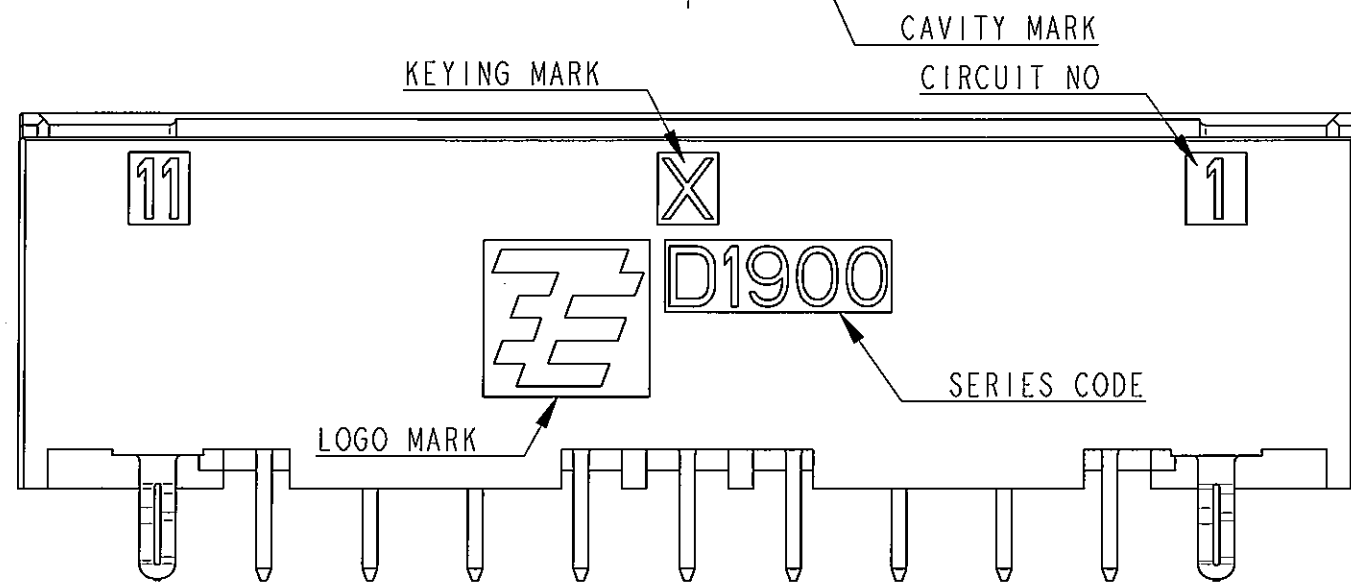
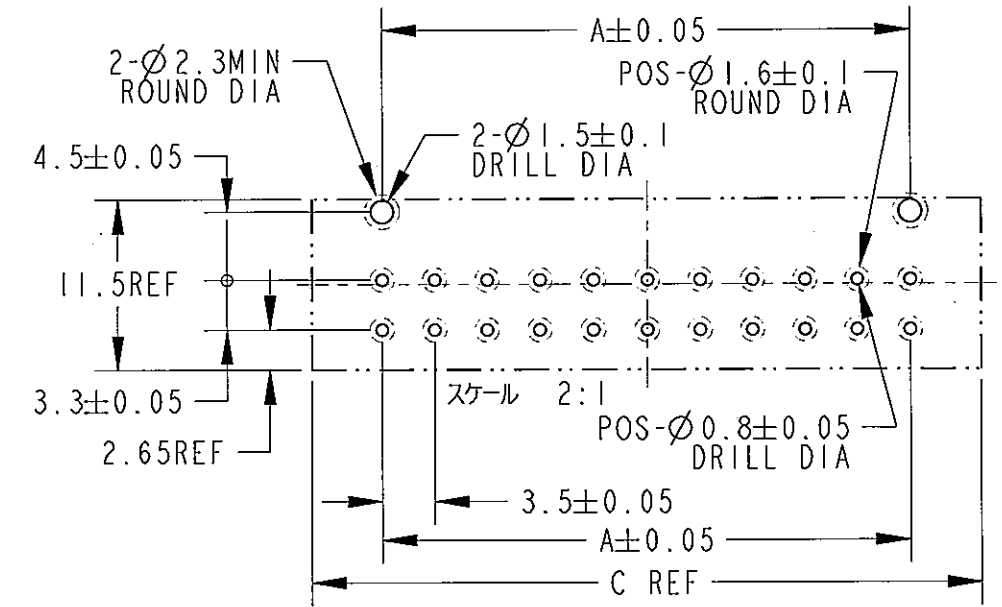


THIS DRAWING IS UNPUBLISHED. RELEASED FOR PUBLICATION 2008
 © COPYRIGHT 2008 BY TYCO ELECTRONICS CORPORATION. ALL RIGHTS RESERVED.

LOC	DIST	REVISIONS					
J	-	P	LTR	DESCRIPTION	DATE	DWN	APVD
		D		ADDED PART NUMBER	26JUL2010	H.U	T.M



22POS(X-KEY)
 : 2-2013325-1
 2-2069573-1
 2-2069574-1



RECOMMEND PC BOARD HOLE PATTERN : CONNECTOR MOUNT SIDE (NOT ACCUMULATE TOLERANCE)
 PC BOARD THICKNESS : 1.0~1.6±0.1

22	35.0	42.3	44.3	X	22	YELLOW	2-2069574-1
						NATURAL	2-2069573-1
						BLACK	2-2013325-1
12	17.5	24.8	26.8	X	12	YELLOW	1-2069574-6
						NATURAL	1-2069573-6
						BLACK	1-2013325-6
3	10.5	17.8	20.2	X	8	YELLOW	1-2069574-4
						BLACK	1-2013325-4
n	A	B	C	KEY	POS.	COLOR	PART NO

1. MATERIAL: HOUSING: 66 NYLON GLASS FILLED (UL94V-0)
CONTACT: COPPER ALLOY
RETENTION LEG: PRE-TIN COPPER ALLOY
2. FINISH (ALL OVER): NICKEL PLATING 1.27µm MIN
3. FINISH (CONTACT AREA): GOLD PLATING 0.38µm MIN AFTER 2
4. FINISH (CONTACT TAIL): TIN PLATING 2µm MIN AFTER 2
5. THE SHAPE, SIZE AND POSITION OF THE CHARACTER SHOW THE OUTLINE. THEY DON'T SHOW DETAILS.

THIS DRAWING IS A CONTROLLED DOCUMENT FOR TYCO ELECTRONICS CORPORATION IT IS SUBJECT TO CHANGE AND THE CONTROLLING ENGINEERING ORGANIZATION SHOULD BE CONTACTED FOR THE LATEST REVISION.

DIMENSIONS: 単位: 概 mm	TOLERANCES UNLESS OTHERWISE SPECIFIED: 一般公差 ±0.3, ±5°	DWN M. MAEBASHI 09MAY2008	Tyco Electronics Corporation Kawasaki, Japan	
	0-PLC ± 1-PLC ± 2-PLC ± 3-PLC ± 4-PLC ± ANGLES ±	CHK T. KUDO 09MAY2008	NAME 名称 DYNAMIC D1900D 3.5mm PITCH HDR ASSY (V-TYPE)	
MATERIAL 材種 1	FINISH 仕上 2 3 4	APVD S. MANABE 09MAY2008	SIZE A3	CAGE CODE 00779
		PRODUCT SPEC 製品規格 108-78336	DRAWING NO 番号 C-2013325	RESTRICTED TO -
		APPLICATION SPEC 取付適用規格 -	SCALE 尺度 4:1	SHEET 1 OF 2
		WEIGHT -	REV D	

CUSTOMER DRAWING

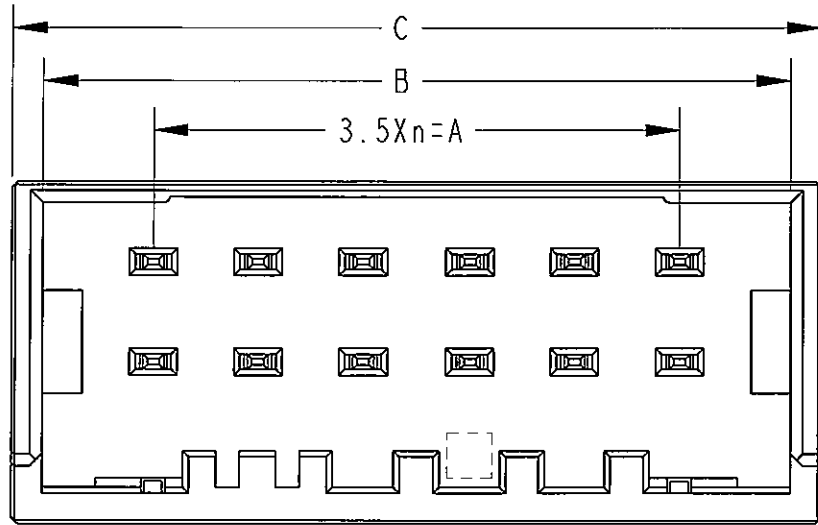
THIS DRAWING IS UNPUBLISHED.

RELEASED FOR PUBLICATION

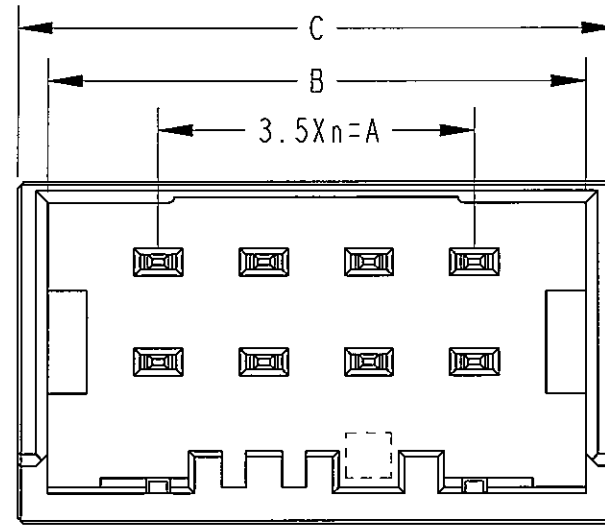
2008

© COPYRIGHT 2008 BY TYCO ELECTRONICS CORPORATION. ALL RIGHTS RESERVED.

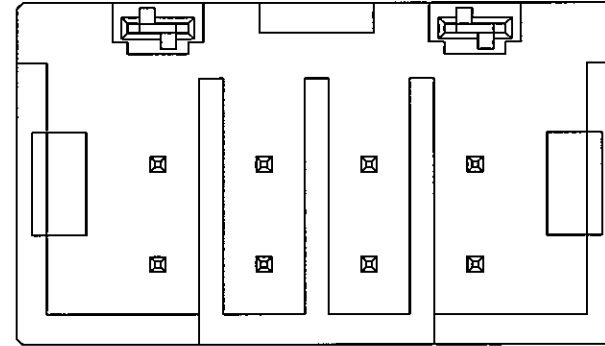
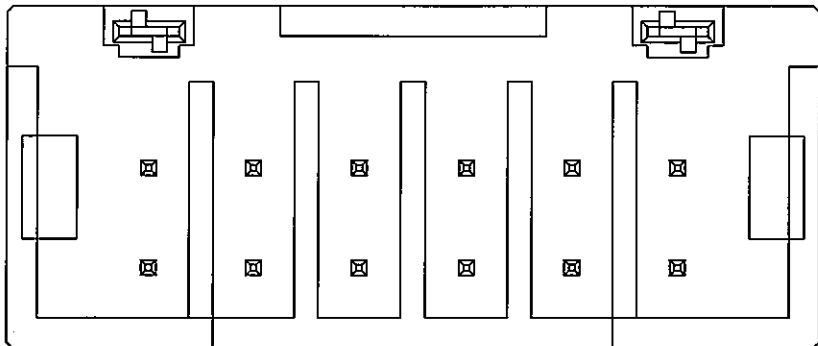
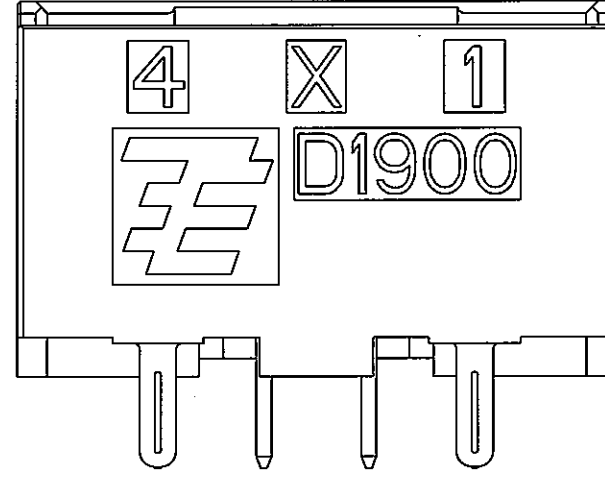
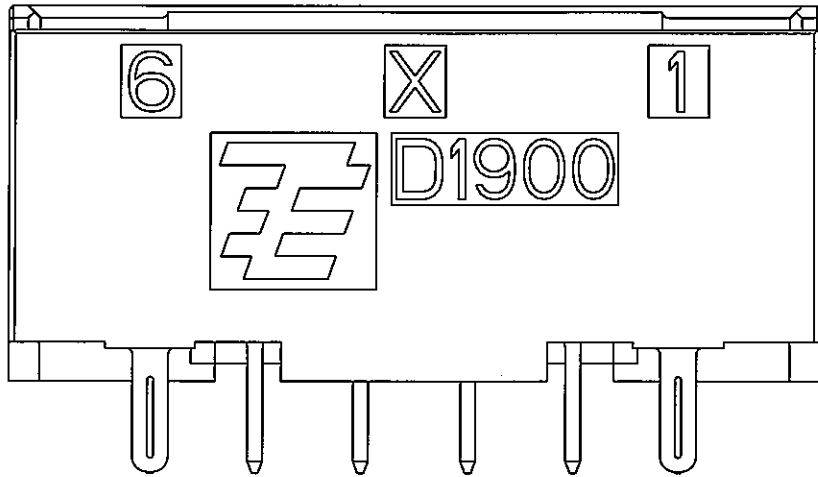
LOC	DIST	REVISIONS					
		P	LTR	DESCRIPTION	DATE	DWN	APVD
J	-			SEE SHEET 1 OF 2			



12POS(X-KEY) : 1-2013325-6
 1-2069573-6
 1-2069574-6



8POS(X-KEY) : 1-2013325-4
 1-2069574-4



THIS DRAWING IS A CONTROLLED DOCUMENT FOR TYCO ELECTRONICS CORPORATION
 IT IS SUBJECT TO CHANGE AND THE CONTROLLING ENGINEERING ORGANIZATION
 SHOULD BE CONTACTED FOR THE LATEST REVISION.

DIMENSIONS:
mm

TOLERANCES UNLESS OTHERWISE SPECIFIED:

- 0 PLC ±-
- 1 PLC ±-
- 2 PLC ±-
- 3 PLC ±-
- 4 PLC ±-
- ANGLES ±-

MATERIAL

FINISH

SEE SHEET 1 OF 2

DWN M. MAEBASHI 09MAY2008

CHK T. KUDO 09MAY2008

APVD S. MANABE 09MAY2008

PRODUCT SPEC

108-78336

APPLICATION SPEC

WEIGHT

CUSTOMER DRAWING



Tyco Electronics AMP K.K.
Kawasaki, Japan

NAME
DYNAMIC D1900D 3.5mm PITCH
HDR ASSY (V-TYPE)

SIZE	CAGE CODE	DRAWING NO	RESTRICTED TO
A3	00779	©-2013325	-

SCALE 4:1 SHEET 2 OF 2 REV D

D

C

B

A