

THIS DRAWING IS UNPUBLISHED.

RELEASED FOR PUBLICATION

20

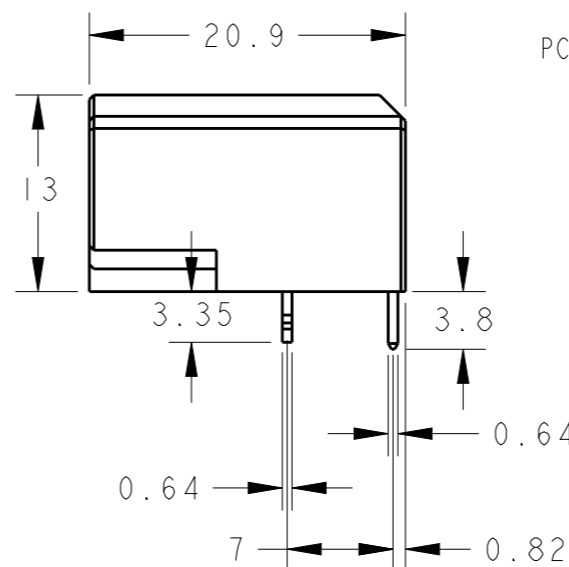
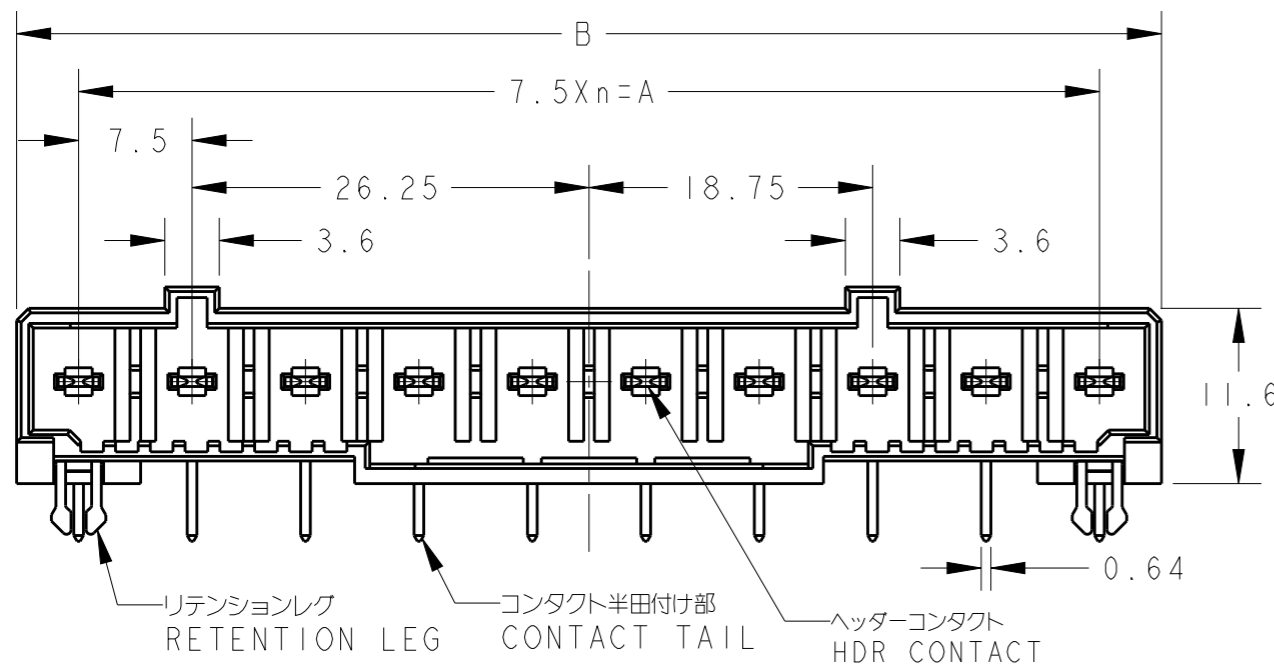
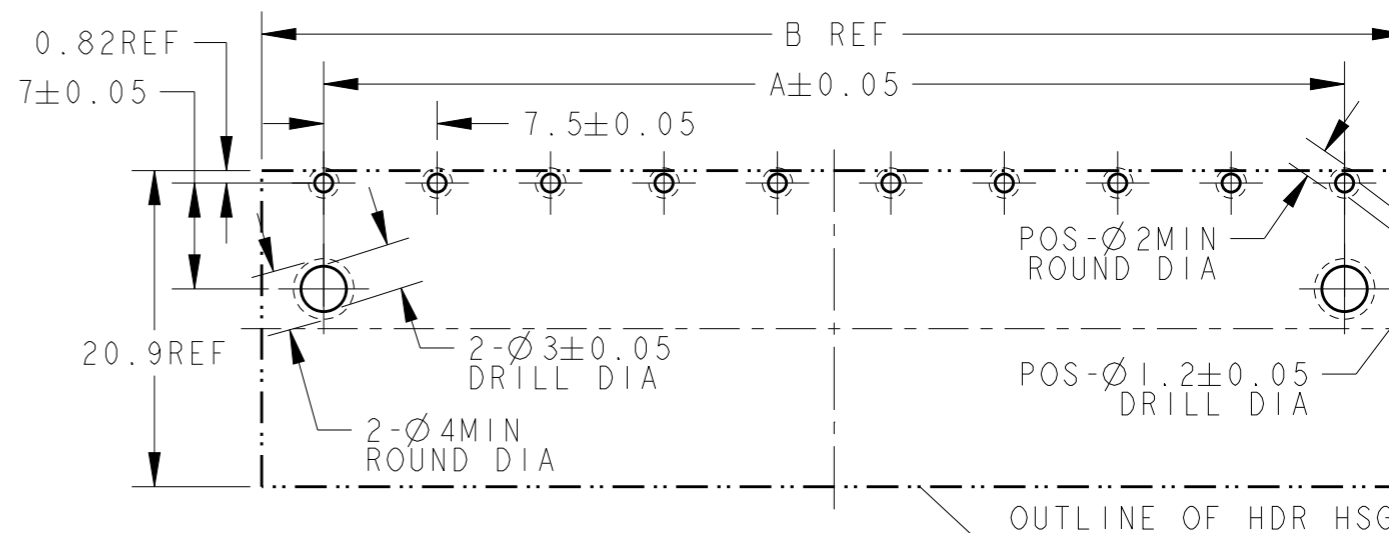
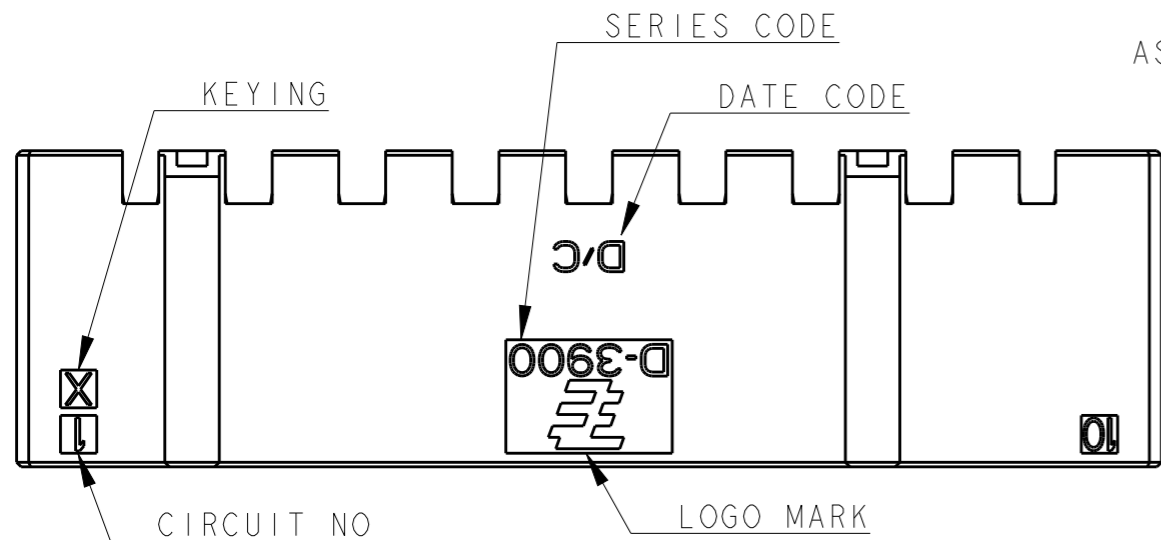
© COPYRIGHT 20 BY Tyco Electronics Japan G.K. ALL RIGHTS RESERVED.

LOC J DIST -

REVISIONS

P	LTR	DESCRIPTION	DATE	DWN	APVD
	C	REVISED	15APR2014	H.O	N.Y

AS SHOWN : 1-2013519-0 (10POS,X-KEY)



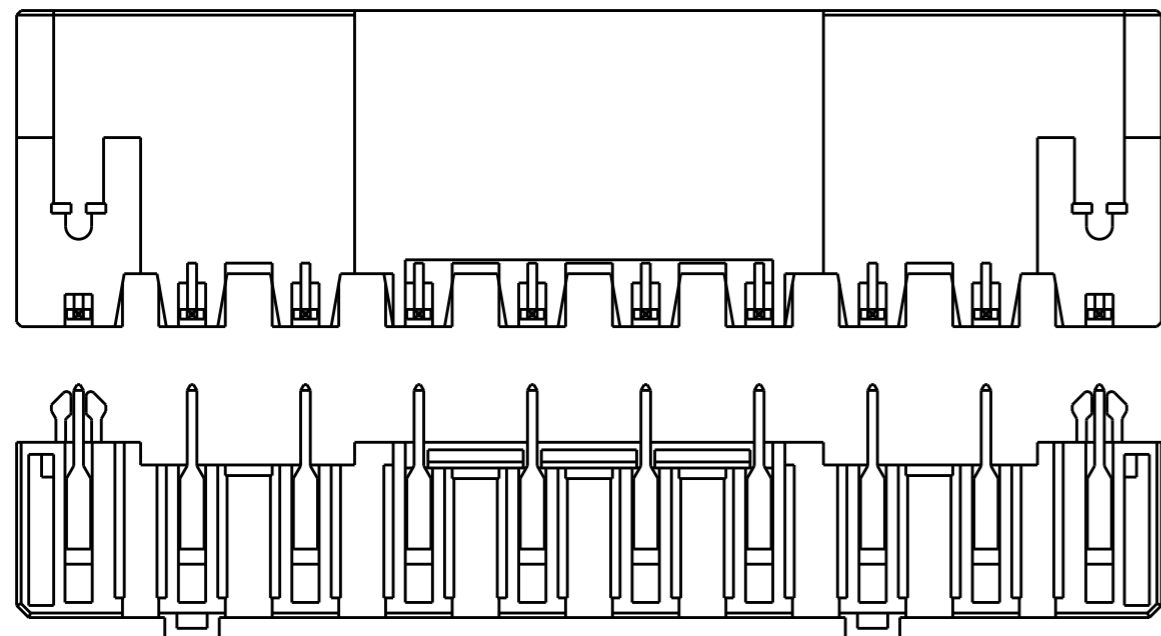
RECOMMEND PC BOARD HOLE PATTERN : CONNECTOR MOUNT SIDE (NOT ACCUMULATE TOLERANCE)
PC BOARD THICKNESS : 1.6 ± 0.1

推奨基板取付寸法 : コネクタ搭載面 (非累積公差)
PC基板厚 : 1.6 ± 0.1

- 材料 : ハウジング : 熱可塑性ポリエステル樹脂
コンタクト : 銅合金
リテンションレグ : 銅合金
- めっき : (コンタクト接触部) : ニッケル下地めっきの上に金めっき 0.38 μm 以上
- めっき : リテンションレグとコンタクト半田付け部 : ニッケル下地めっきの上に錫めっき

- MATERIAL HOUSING: THERMO PLASTIC POLYESTER
CONTACT: COPPER ALLOY
RETENTION LEG: COPPER ALLOY
- FINISH (CONTACT AREA): 0.38 μm MIN GOLD PLATED OVER NICKEL
- FINISH (RETENTION LEG & CONTACT TAIL) : TIN PLATED OVER NICKEL

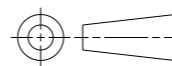
10	Y	9	67.5	75.7	BLACK	2-2013519-0
10	X	9	67.5	75.7	BLACK	1-2013519-0
7/10	Z	9	67.5	75.7	BLACK	9-2013519-0
3	Z	2	15.0	23.2	BLACK	3-2013519-3
3	Y	2	15.0	23.2	NATURAL	4-2013519-3
3	X	2	15.0	23.2	BLACK	1-2013519-3
POS	KEY	n	A	B	COLOR	PART NO



THIS DRAWING IS A CONTROLLED DOCUMENT.

DIMENSIONS:
単位: 概 mm

TOLERANCES UNLESS OTHERWISE SPECIFIED:
一般公差 ±0.3, ±5°



MATERIAL
材料

FINISH
仕上

DWN T. KUDO 21APR2008

CHK S. MANABE 21APR2008

APVD S. MANABE 21APR2008

PRODUCT SPEC

製品規格 108-78400, 5349

APPLICATION SPEC

取付適用規格 114-5148

WEIGHT -

CUSTOMER DRAWING

STE TE Connectivity

NAME 名称 DYNAMIC D3900S 7.5mm PITCH
HDR ASSY (H-TYPE)
3-10POS TYPE-A

SIZE A3 CAGE CODE 00779 DRAWING NO G-2013519 RESTRICTED TO -

SCALE 2:1 SHEET 1 OF 3 REV C

THIS DRAWING IS UNPUBLISHED.

RELEASED FOR PUBLICATION

20

© COPYRIGHT 20

BY Tyco Electronics Japan G.K.

ALL RIGHTS RESERVED.

LOC
J

DIST
-

REVISIONS

P LTR

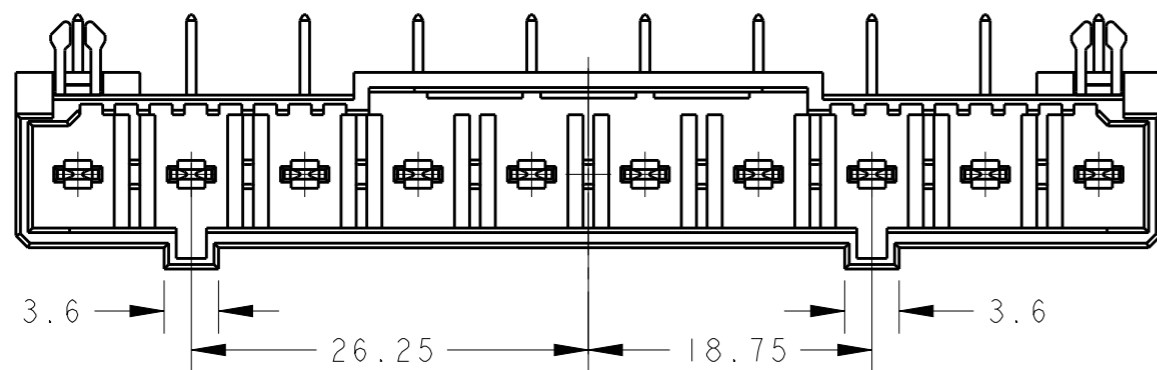
DESCRIPTION

DATE

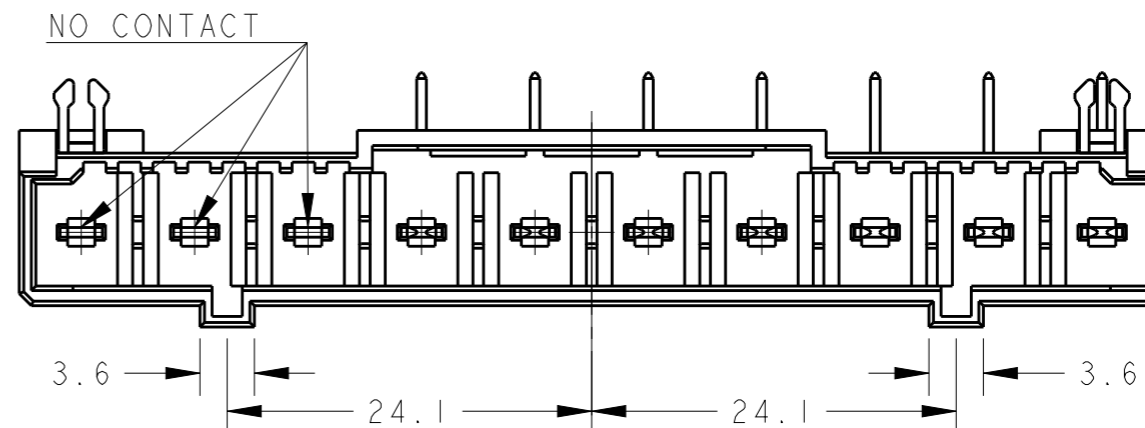
DWN

APVD

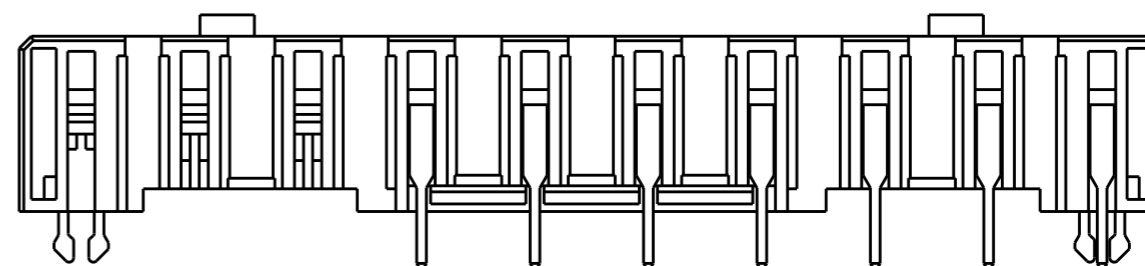
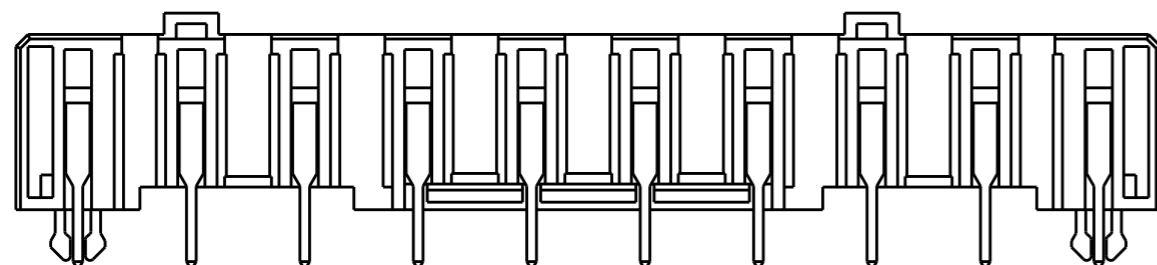
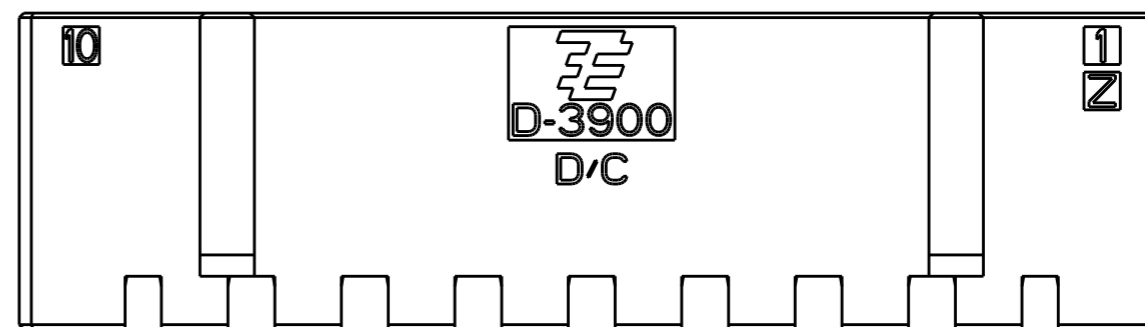
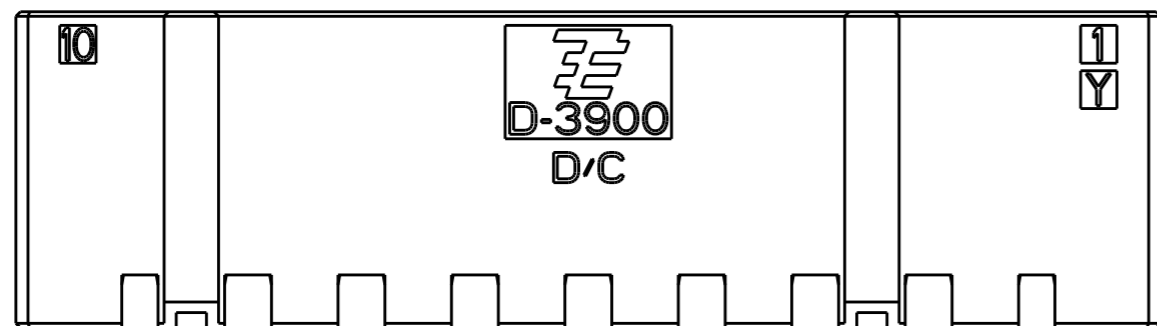
SEE SHEET 1



10POS(Y-KEY):2-2013519-0



7/10POS(Z-KEY)
CIRCUIT 1~7:9-2013519-0



THIS DRAWING IS A CONTROLLED DOCUMENT.

DWN T. KUDO 21APR2008

CHK S. MANABE 21APR2008

APVD S. MANABE 21APR2008

PRODUCT SPEC

108-78400, 5349

APPLICATION SPEC

114-5148

WEIGHT -

CUSTOMER DRAWING



TE Connectivity

NAME
DYNAMIC D3900S 7.5mmPITCH
HDR ASSY (H-TYPE)
3-10POS TYPE-A

SIZE CAGE CODE DRAWING NO RESTRICTED TO

A300779 C-2013519 -

SCALE 2:1 SHEET 2 OF 3 REV C

DIMENSIONS:		TOLERANCES UNLESS OTHERWISE SPECIFIED:	
mm			
0 PLC	±-		
1 PLC	±-		
2 PLC	±-		
3 PLC	±-		
4 PLC	±-		
ANGLES	±-		
MATERIAL		FINISH	-

SEE SHEET 1 OF 3

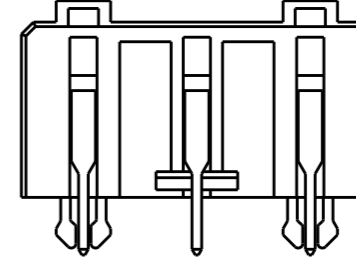
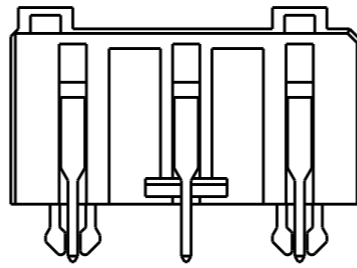
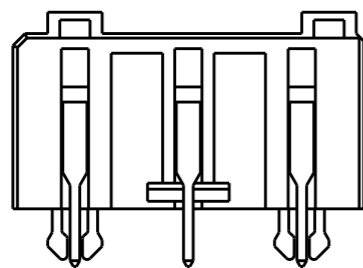
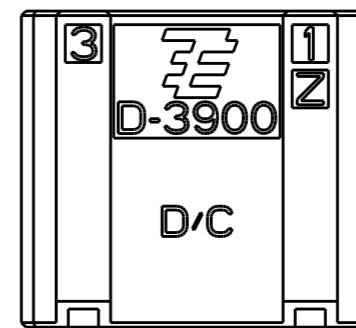
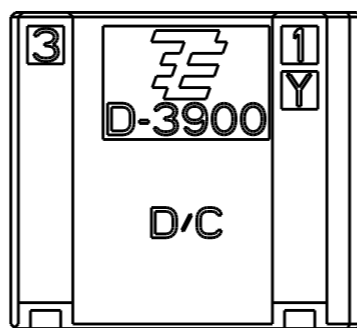
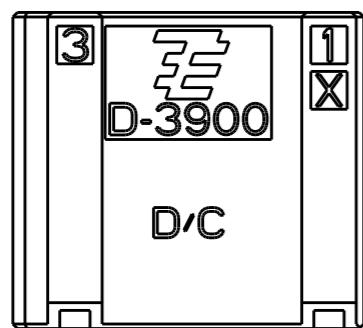
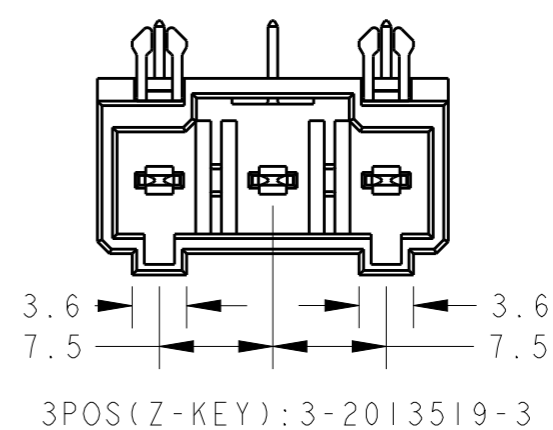
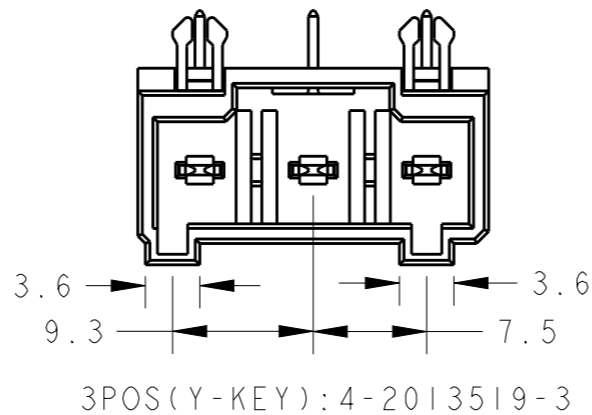
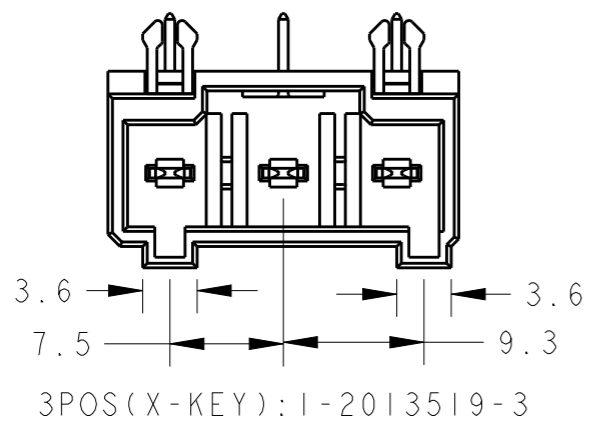
THIS DRAWING IS UNPUBLISHED.


RELEASED FOR PUBLICATION

20

© COPYRIGHT 20 BY Tyco Electronics Japan G.K. ALL RIGHTS RESERVED.

LOC	DIST	REVISIONS			
P	LTR	DESCRIPTION	DATE	DWN	APVD
J	-	SEE SHEET 1			



THIS DRAWING IS A CONTROLLED DOCUMENT.		DWN T. KUDO 21APR2008	 TE Connectivity		
DIMENSIONS: mm		CHK S. MANABE 21APR2008			
TOLERANCES UNLESS OTHERWISE SPECIFIED:		APVD S. MANABE 21APR2008	NAME DYNAMIC D3900S 7.5mmPITCH HDR ASSY (H-TYPE) 3-10POS TYPE-A		
0 PLC ±-		PRODUCT SPEC 108-78400, 5349	SIZE A3	CAGE CODE 00779	DRAWING NO C-2013519
1 PLC ±-		APPLICATION SPEC 114-5148	RESTRICTED TO -		
2 PLC ±-		WEIGHT -	SCALE 2:1		
3 PLC ±-		CUSTOMER DRAWING	SHEET 3 OF 3		
4 PLC ±-			REV C		
ANGLES ±-					
MATERIAL -					
FINISH -					

SEE SHEET 1 OF 3