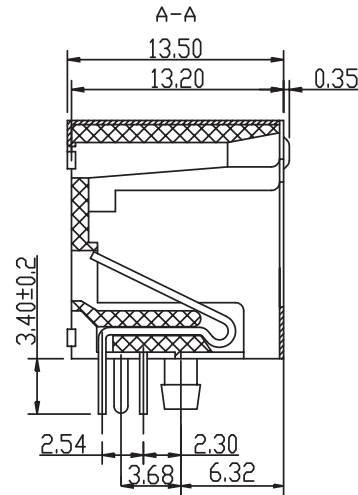
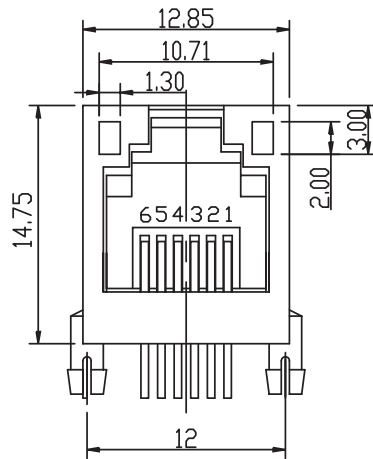


PCB LAYOUT - COMPONENT VIEW



TECHNICAL CHARACTERISTICS

MATERIAL  
 INSULATOR MATERIAL: PBT  
 FLAMMABILITY RATING: UL94-V0  
 COLOR: BLACK  
 CONTACT MATERIAL: COPPER ALLOY  
 CONTACT TYPE: STAMPED  
 CONTACT PLATING: GOLD  
 SHIELDING: BRONZE NI PLATED  
 QUALITY CLASS: 500 MATING CYCLES

ENVIRONMENTAL  
 OPERATING TEMPERATURE: -40 °C UP TO 85 °C  
 COMPLIANCE: LEAD FREE AND ROHS

ELECTRICAL  
 CURRENT RATING: 1.5 A  
 WORKING VOLTAGE: 120 VAC  
 INSULATION RESISTANCE: >500 MΩ  
 DIELECTRIC WITHSTANDING VOLTAGE: 1 000 VAC/MIN  
 CONTACT RESISTANCE: 20 mΩ MAX

STANDARD  
 CERTIFIED: E324776

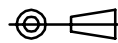
SOLDERING  
 JEDEC LEAD FREE WAVE SOLDERING PROCESS

PACKAGING  
 TRAY

RoHS Compliant

G			
F			
E	17-JUL-14	CHARACTERISTICS	AS
D	03-JAN-14	UL & TEMP UPDATE	QL
C	06-OCT-09	UL STANDARD	JP
B	06-AUG-09	NEW DRAW	JP
A	12-SEP-07	PDF	CH
REV	DATE	FILE	BY

PROJECTION:



APPROVAL: RJ

GENERAL TOLERANCE

.X = +/- 0.2  
 .XX = +/- 0.15

UNIT: MM

SCALE:

SHEET: 1/1

DRAW: XU



DESCRIPTION: HORIZONTAL SHIELDED 6P6C MODULAR JACK TAB UP

WERI PART NO: 615 006 143 221

SIZE

**A4**