

PCB LAYOUT - COMPONENT VIEW

TECHNICAL CHARACTERISTICS

MATERIAL
 INSULATOR MATERIAL: PBT
 FLAMMABILITY RATING: UL94-V0
 COLOR: BLACK
 CONTACT MATERIAL: COPPER ALLOY
 CONTACT TYPE: STAMPED
 CONTACT PLATING: GOLD
 SHIELDING: BRONZE NI PLATED
 QUALITY CLASS: 500 MATING CYCLES

ENVIRONMENTAL
 OPERATING TEMPERATURE: -40 °C UP TO 85 °C
 COMPLIANCE: LEAD FREE AND ROHS

ELECTRICAL
 CURRENT RATING: 1.5 A
 WORKING VOLTAGE: 120 VAC
 INSULATION RESISTANCE: >500 MΩ
 WITHSTANDING VOLTAGE: 1 000 VAC/MIN
 CONTACT RESISTANCE: 20 mΩ MAX

STANDARD
 CERTIFIED: E324776

SOLDERING
 JEDEC LEAD FREE WAVE SOLDERING PROCESS

PACKAGING
 TRAY

RoHS Compliant

G			
F			
E	17-JUL-14	CHARACTERISTICS	AS
D	03-JAN-13	TPK DWG ADD	QL
C	27-SEP-13	TEMP UPDATE	QL
B	07-OCT-09	UL STANDARD	JP
A	01-OCT-08	PDF	CH
REV	DATE	FILE	BY

PROJECTION:	
APPROVAL: RJ	

GENERAL TOLERANCE
.X = +/- 0.2
.XX = +/- 0.15
UNIT: MM
SCALE:
SHEET: 1/1
DRAW:



DESCRIPTION: HORIZONTAL PLASTIC 6P6C MODULAR JACK TAB DOWN
WERI PART NO: 615 006 141 121

SIZE
A4

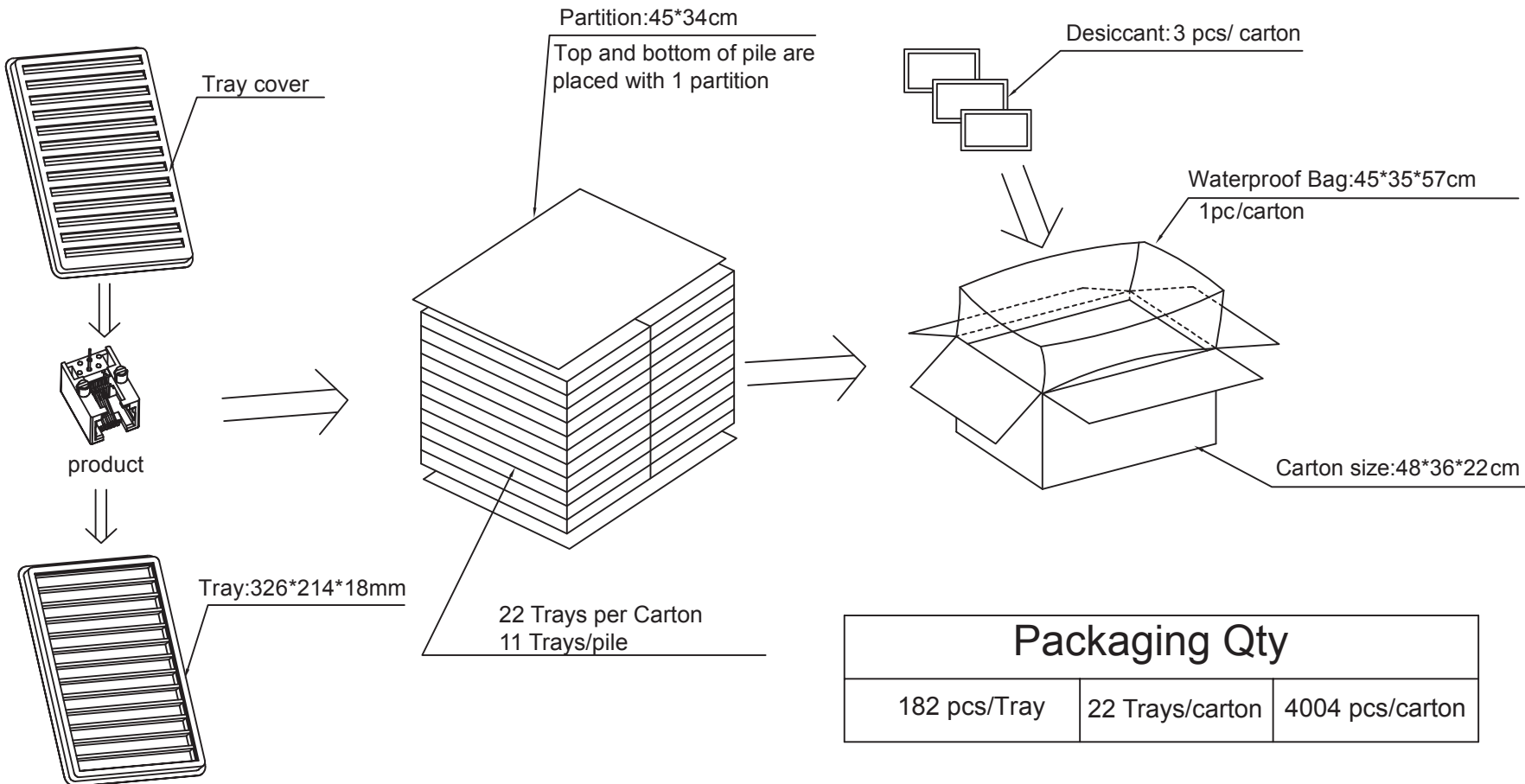
1

2

3

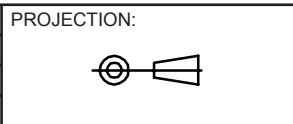
4

5



Packaging Qty		
182 pcs/Tray	22 Trays/carton	4004 pcs/carton

RoHS Compliant			
G			
F			
E			
D			
C			
B			
A			
REV	DATE	FILE	BY



GENERAL TOLERANCE

.X = +/- 0.2

.XX = +/- 0.15

APPROVAL: RJ

UNIT: MM

SCALE:

SHEET: 1/1

DRAW:



DESCRIPTION: HORIZONTAL PLASTIC 6P6C MODULAR JACK TAB DOWN

WERI PART NO: 615 006 141 121

SIZE

A4

A

B

C

D