

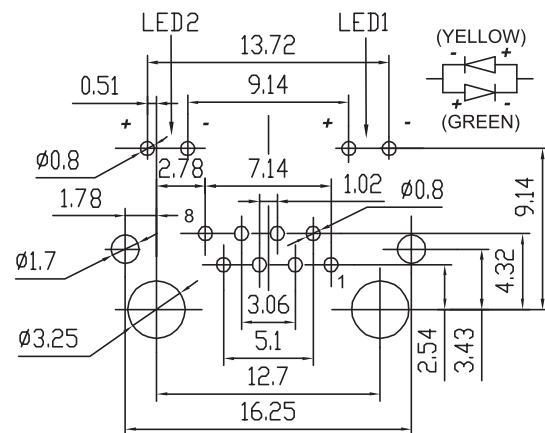
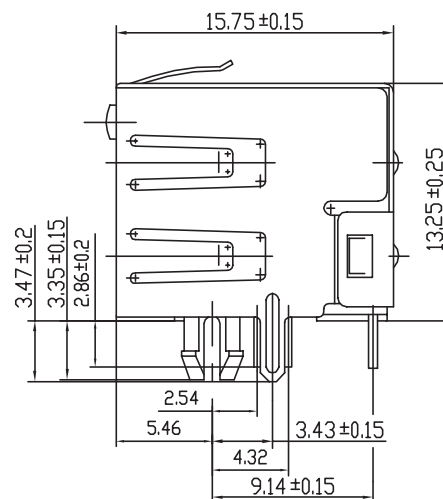
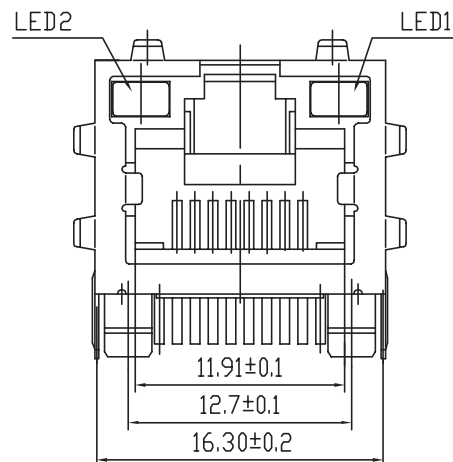
1

2

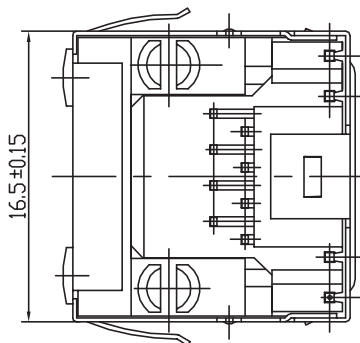
3

4

5



PCB LAYOUT - COMPONENT VIEW



TECHNICAL CHARACTERISTICS

MATERIAL
 INSULATOR MATERIAL: PBT
 FLAMMABILITY RATING: UL94-V0
 COLOR: BLACK
 CONTACT MATERIAL: COPPER ALLOY
 CONTACT TYPE: STAMPED
 CONTACT PLATING: SELECTIVE GOLD
 SHIELDING: BRONZE NI PLATED
 QUALITY CLASS: 500 MATING CYCLES

LED COLOR
 LED 1: BIPOLAR GREEN/YELLOW
 LED 2: BIPOLAR GREEN/YELLOW

ENVIRONMENTAL
 OPERATING TEMPERATURE: -40°C UP TO 85 °C
 COMPLIANCE: LEAD FREE AND ROHS

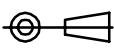

ELECTRICAL
 CURRENT RATING: 1.5 A
 WORKING VOLTAGE: 120 VAC
 INSULATION RESISTANCE: >500 MΩ
 DIELECTRIC WITHSTANDING VOLTAGE: 1 000 VAC/MIN
 CONTACT RESISTANCE: 20 mΩ MAX

STANDARD
 CERTIFIED: E324776

SOLDERING
 JEDEC LEAD FREE WAVE SOLDERING PROCESS

PACKAGING
 TRAY

RoHS Compliant

| | | | | | | | | |
|-----|-----------|------------------|----|--|---|---|--|-------------------|
| G | 17-JUL-14 | CHARACTERISTICS | AS | PROJECTION:  | GENERAL TOLERANCE .X = +/- 0.2 .XX = +/- 0.15 |  | DESCRIPTION: HORIZONTAL SHIELDED WITH BIPOLAR LED AND EMI PANEL FINGER 8P8C MODULAR JACK TAB UP | SIZE A4 |
| F | 03-JAN-14 | UL & TEMP UPDATE | QL | | | | | |
| E | 20-AUG-13 | DIM UPDATE | QL | | | | | |
| D | 27-FEB-09 | LED COLORS | JP | | | | | |
| C | 06-MAY-08 | LED SYMBOL | CH | APPROVAL: RJ | UNIT: MM | WERI PART NO: 615 008 141 321 | | |
| B | 22-APR-08 | LED COLORS | CH | | SCALE: | | | |
| A | 01-APR-08 | PDF | CH | | SHEET: 1/1 | | | |
| REV | DATE | FILE | BY | | DRAW: | | | |