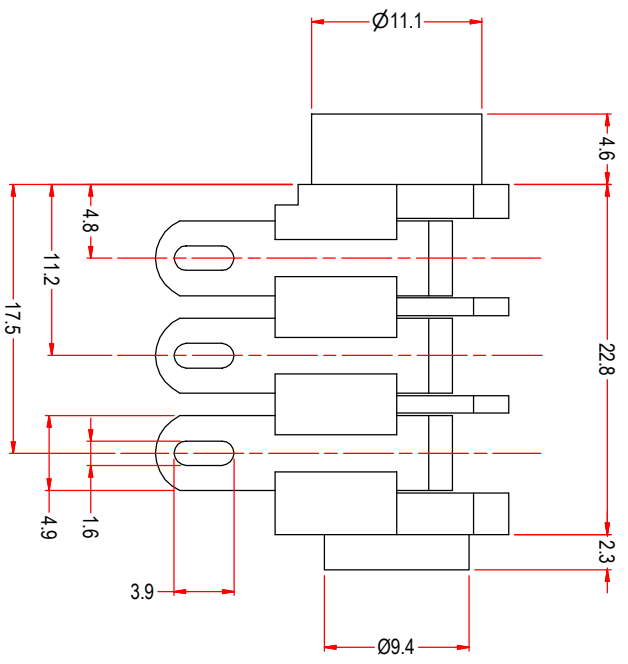
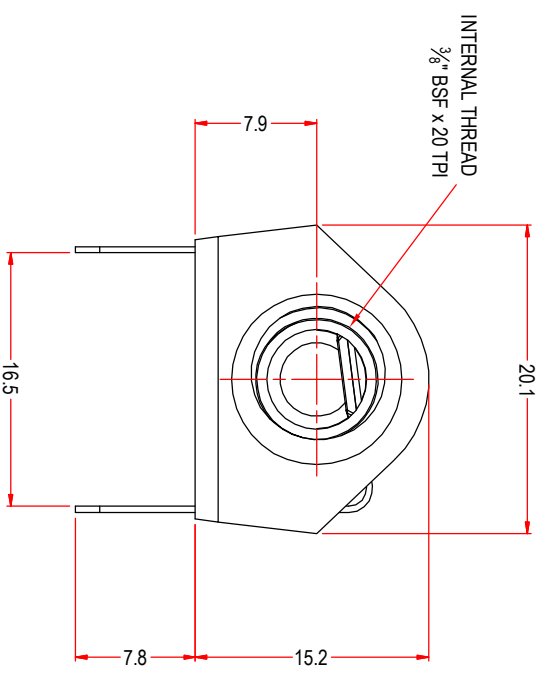
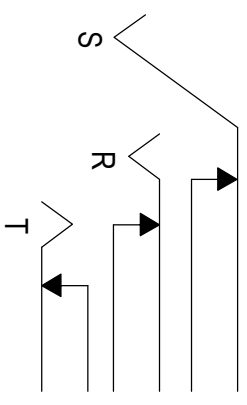


- NOTES:-**
1. MAXIMUM PANEL THICKNESS 4.3mm.
 2. SUPPLIED WITH NUT, BEZEL & WASHERS ASSEMBLED.



SCHMATIC



SWITCH CONTACTS OPEN WHEN PLUG IS INSERTED, CLOSE WHEN PLUG IS WITHDRAWN.



TOLERANCE	
NO DEC. PLACE ±	
1 DEC. PLACE ±	0.20
2 DEC. PLACE ±	
HOLE Ø ±	
ANGLES ±	1/2°
UNLESS OTHERWISE STATED	

Cliff Electronic Components Ltd.
 76 Homelthorpe Avenue, Homelthorpe Industrial Estate,
 Redhill, Surrey, RH1 2PF, England, UK
 Tel: 01737 771375 Fax: 01737 766012 Website: www.cliffuk.co.uk

DIMENSIONS IN MILLIMETERS UNLESS OTHERWISE STATED. WORK TO DIMENSIONS. REMOVE ALL BURRS. IF IN DOUBT ASK

MATERIAL: NYLON / NIAG / FIBRE / POM / BRASS

FINISH: AS MOULDED / MICROFINISH

DRAWN: NUB APPROVED: DPJ

TITLE: JACK SOCKET S4/BB/ST BLACK

1ST DRAWN: 11/07/1991

3rd ANGLE PROJECTION:

DO NOT SCALE

FORM: A4DRWG

CL 1322 A

THE CONTENTS OF THIS DOCUMENT MUST NOT BE COPIED OR DISCLOSED TO A 3rd PARTY WITHOUT WRITTEN PERMISSION OF CLIFF UK. © 1991

ISS.	AMEND	DATE
1	REDRAWN	02/05/2011