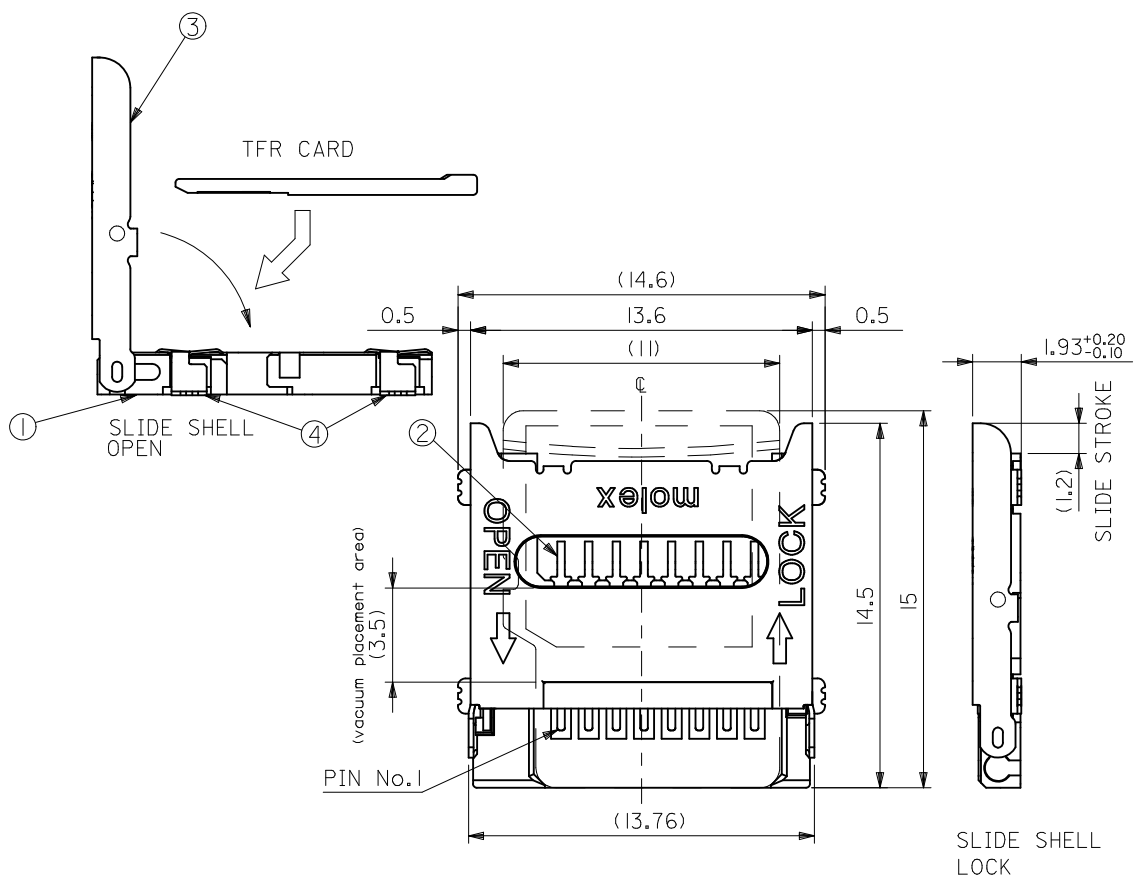
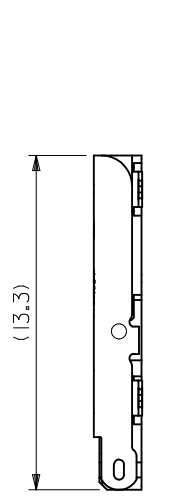


CONFIDENTIAL

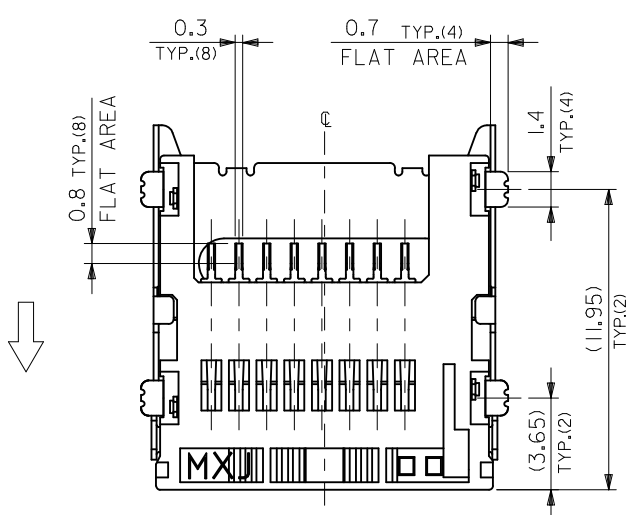


NO.	PARTS DESCRIPTION	QTY	MATERIAL	FINISH
①	HOUSING	1	LIQUID CRYSTAL POLYMER (WHITE)	—
②	TERMINAL	8	COPPER ALLOY	CONTACT AREA:GOLD 0.5um MIN. SOLDER AREA:TIN 1.0um MIN. UNDER PLATING NICKEL 1.0um MIN.
③	SHELL	1	STAINLESS STEEL	—
④	NAIL	4	PHOSPHOR BRONZE	ALL OVER:TIN 1.0um MIN. UNDER PLATING NICKEL 1.0um MIN.

SLIDE SHELL LOCK



SLIDE SHELL OPEN

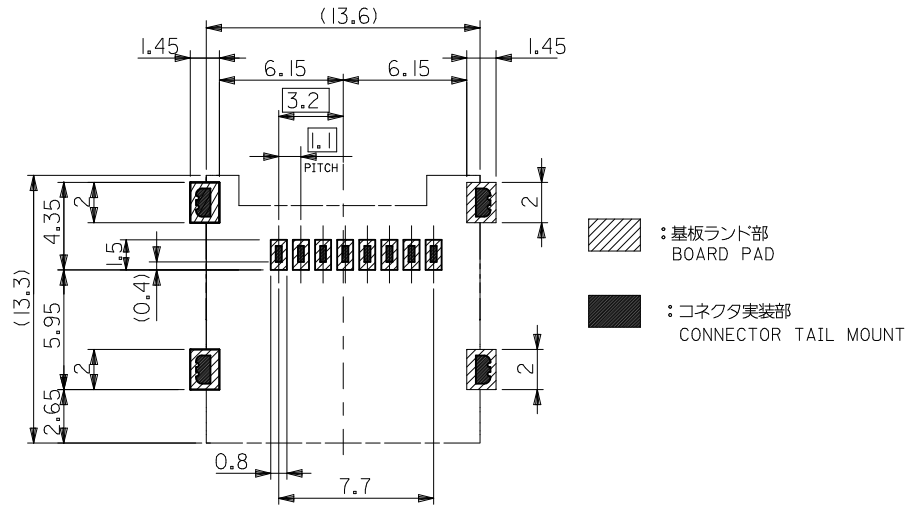


NOTE

1. EACH TERMINALS AND NAILS COPLANARITY TO BE 0.1MAX.
2. ELV AND RoHS COMPLIANT.

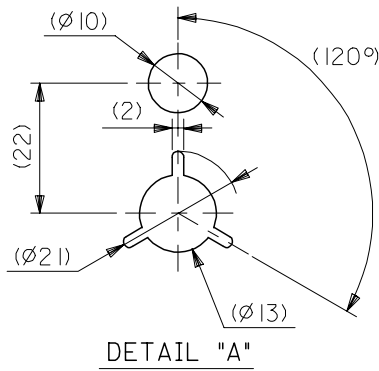
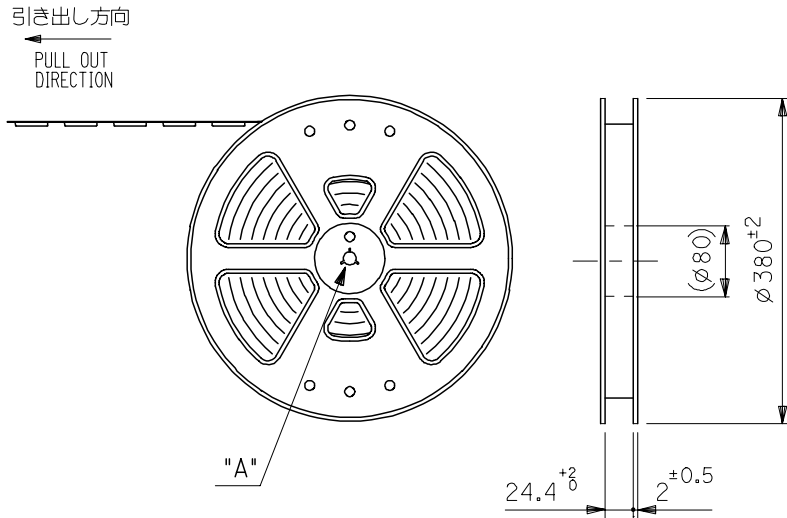
WITH EMBOSSED TAPE	500901-0801	500901-08**
CONNECTOR ONLY	500901-0829	
PACKAGE	MATERIAL No.	MODEL No.

REVISED EC NO.: J2012-0696 DRAWN: AIDA 2011/10/31 CHECKED: TOMITA 2011/10/31 APPR: YONITO 2011/11/16	GENERAL TOLERANCES (UNLESS SPECIFIED)		DIMENSION STYLE	SCALE	DESIGN UNITS	THIRD ANGLE PROJECTION
			MM ONLY	5:1	METRIC	
	10 UNDER	±0.2	DRAWN BY	DATE	TITLE	
	10 OVER 30 UNDER	±0.25	TWATANABE	05/01/21	TFR MEMORY CARD CONN. HINGE TYPE	
30 OVER	±0.3	CHECKED BY	DATE	MOLEX INCORPORATED		
ANGULAR	±3 °	HTAKASE	05/01/21	DOCUMENT NO.		
DRAFT WHERE APPLICABLE MUST REMAIN WITHIN DIMENSIONS		APPROVED BY	DATE	SD-500901-003		
		JMIYAZAWA	05/01/21	SHEET NO.		
		MATERIAL NO.	SEE CHART	1 OF 2		
		SIZE	A3	THIS DRAWING CONTAINS INFORMATION THAT IS PROPRIETARY TO MOLEX INCORPORATED AND SHOULD NOT BE USED WITHOUT WRITTEN PERMISSION		



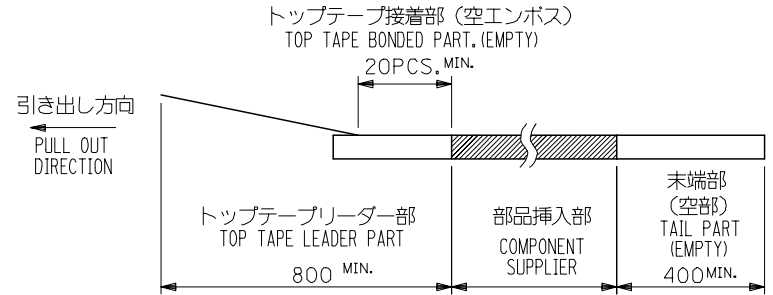
推奨基板寸法(上面図) 一般公差: ±0.05  
 RECOMMENDED P.C. BOARD LAYOUT(TOP VIEW)  
 GENERAL TOLERANCES : ±0.05

REVISED EC NO: J2012-0696 DRWNA:IDA 2011/10/31 CHKD:MTOMITA 2011/10/31 APPR:Y0110 2011/11/16	GENERAL TOLERANCES (UNLESS SPECIFIED)		DIMENSION STYLE MM ONLY	SCALE 5:1	DESIGN UNITS METRIC	THIRD ANGLE PROJECTION	
	10 UNDER ± ---	10 OVER 30 UNDER ± ---	DRAWN BY TWATANABE	DATE 05/01/21	TITLE TFR MEMORY CARD CONN. HINGE TYPE		
	30 OVER ± ---	ANGULAR ± --- °	CHECKED BY HTAKASE	DATE 05/01/21	APPROVED BY JMIYAZAWA		
	DRAFT WHERE APPLICABLE MUST REMAIN WITHIN DIMENSIONS	SEE CHART	MATERIAL NO.	DATE 05/01/21	MOLEX INCORPORATED	DOCUMENT NO. SD-500901-003	SHEET NO. 2 OF 2
B	SIZE A3	THIS DRAWING CONTAINS INFORMATION THAT IS PROPRIETARY TO MOLEX INCORPORATED AND SHOULD NOT BE USED WITHOUT WRITTEN PERMISSION					

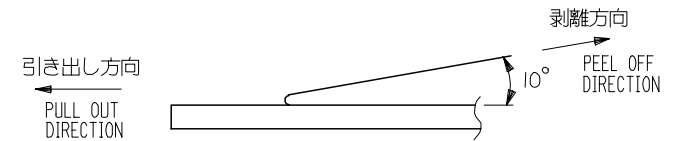


NOTES

- 製品詳細寸法については、SD図面を参照下さい。  
THE DETAIL DIMENSIONS REFER TO SALES DRAWING.
- 梱包数量：1400個/リール  
NUMBER OF CONNECTORS：1400PCS/REEL
- リードテープ長さ LEAD TAPE LENGTH



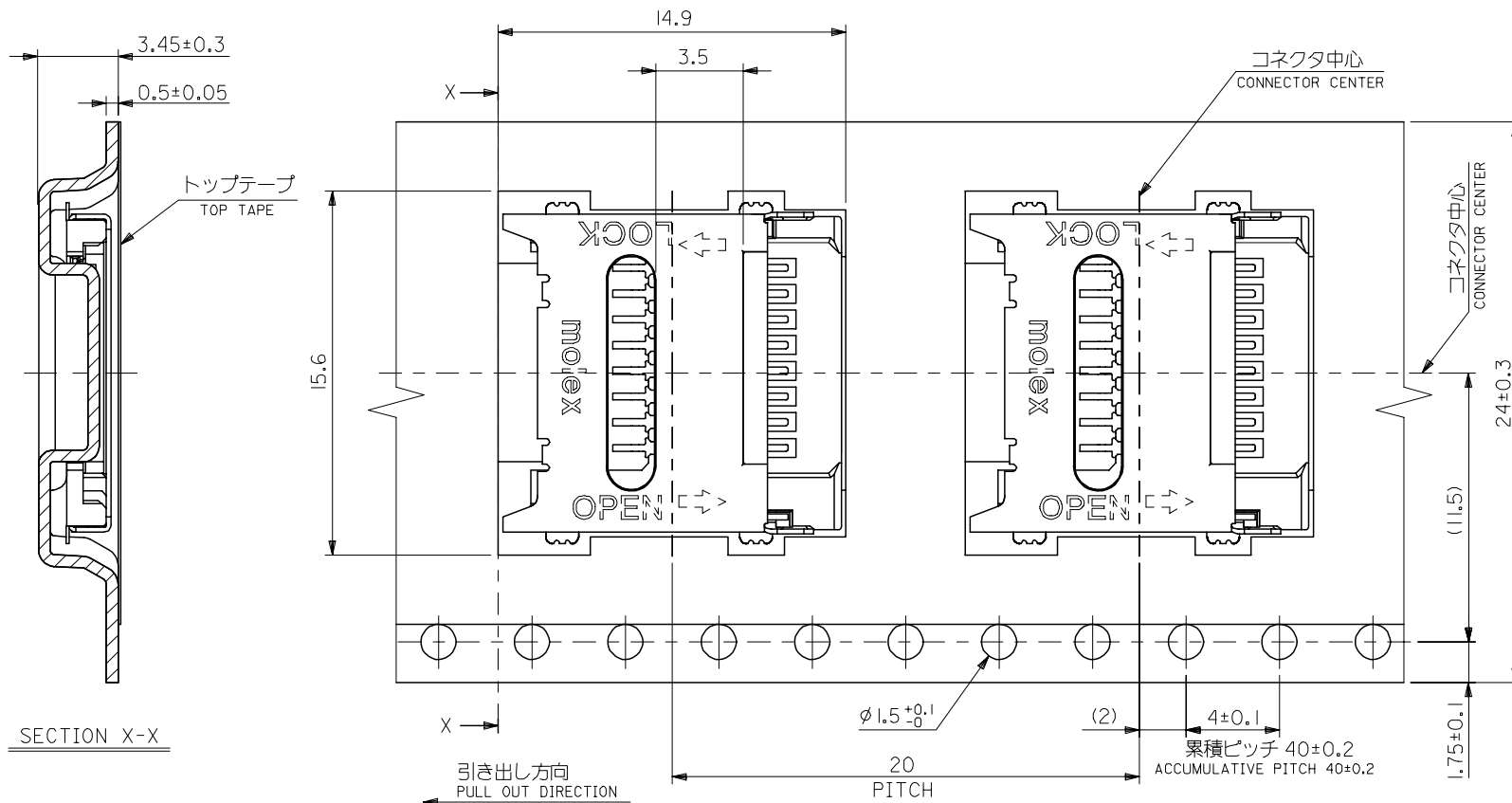
- トップテープの剥離強度：0.1N～1.3N (10.2gf～130gf) (剥離方向は下図参照)  
尚、本規格値は出荷時に適用。(但し、輸送時に剥離が発生しないこと。)  
PEEL FORCE OF TOP TAPE：0.1N～1.3N (10.2gf～130gf)  
(PEEL DIRECTION AS SHOWN IN FOLLOWING FIG.)  
THIS REQUIREMENT SHOULD BE APPLIED AT SHIPMENT.  
PEEL OFF SHOULD NOT BE ALLOWED, DURING TRANSPORTATION.



5. 材料 (MATERIAL)

キャリアテープ (CARRIER TAPE)：ポリプロピレン (POLYPROPYLENE)  
 トップテープ (TOPTAPE)：PET, PE, PEF  
 リール (REEL)：ポリスチレン (PS) <リサイクル材を含む>  
 POLYSTYRENE (PS) <RECYCLE MATERIAL CONTAINED>

RELEASED EC NO: J2005-2205 DRAWN: TWATANABE 2005/02/03 CHKD: TWATANABE 2005/02/03 APPR: JMIYAZAWA 2005/02/08 REV: 0	GENERAL TOLERANCES (UNLESS SPECIFIED)		DIMENSION STYLE MM ONLY		SCALE ---	DESIGN UNITS METRIC	THIRD ANGLE PROJECTION
	10 UNDER	±0.2	DRAWN BY TWATANABE	DATE 05/01/21	TITLE TFR MEMORY CARD CONN. EMBOSSD TAPE PACKAGE		
	10 OVER 30 UNDER	±0.25	CHECKED BY HTAKASE	DATE 05/01/21			
	30 OVER	±0.3	APPROVED BY JMIYAZAWA	DATE 05/01/21	MOLEX MOLEX INCORPORATED		
	ANGULAR	±3 °	MATERIAL NO. 500901-0801	DOCUMENT NO. SD-500901-004			
DRAFT WHERE APPLICABLE MUST REMAIN WITHIN DIMENSIONS		THIS DRAWING CONTAINS INFORMATION THAT IS PROPRIETARY TO MOLEX INCORPORATED AND SHOULD NOT BE USED WITHOUT WRITTEN PERMISSION					



RELEASED EC NO: J2005-2205 DRWNGKSETO 2005/02/03 CHKD: TWATANABE 2005/02/03 APPR: JMIYAZAWA 2005/02/08	GENERAL TOLERANCES (UNLESS SPECIFIED)		DIMENSION STYLE MM ONLY		SCALE ---	DESIGN UNITS METRIC	THIRD ANGLE PROJECTION	
	10 UNDER	± ---	DRAWN BY TWATANABE	DATE 05/01/21	TITLE TFR MEMORY CARD CONN. EMBOSSD TAPE PACKAGE			
	10 OVER 30 UNDER	± ---	CHECKED BY HTAKASE	DATE 05/01/21	MOLEX MOLEX INCORPORATED			
	30 OVER	± ---	APPROVED BY JMIYAZAWA	DATE 05/01/21	DOCUMENT NO. SD-500901-004			
	ANGULAR ±3 °		MATERIAL NO. 500901-0801		SHEET NO. 2 OF 2			
0	DRAFT WHERE APPLICABLE MUST REMAIN WITHIN DIMENSIONS		SIZE A3		THIS DRAWING CONTAINS INFORMATION THAT IS PROPRIETARY TO MOLEX INCORPORATED AND SHOULD NOT BE USED WITHOUT WRITTEN PERMISSION			