

rotronic

Datenblatt - Fiche technique - Data sheet

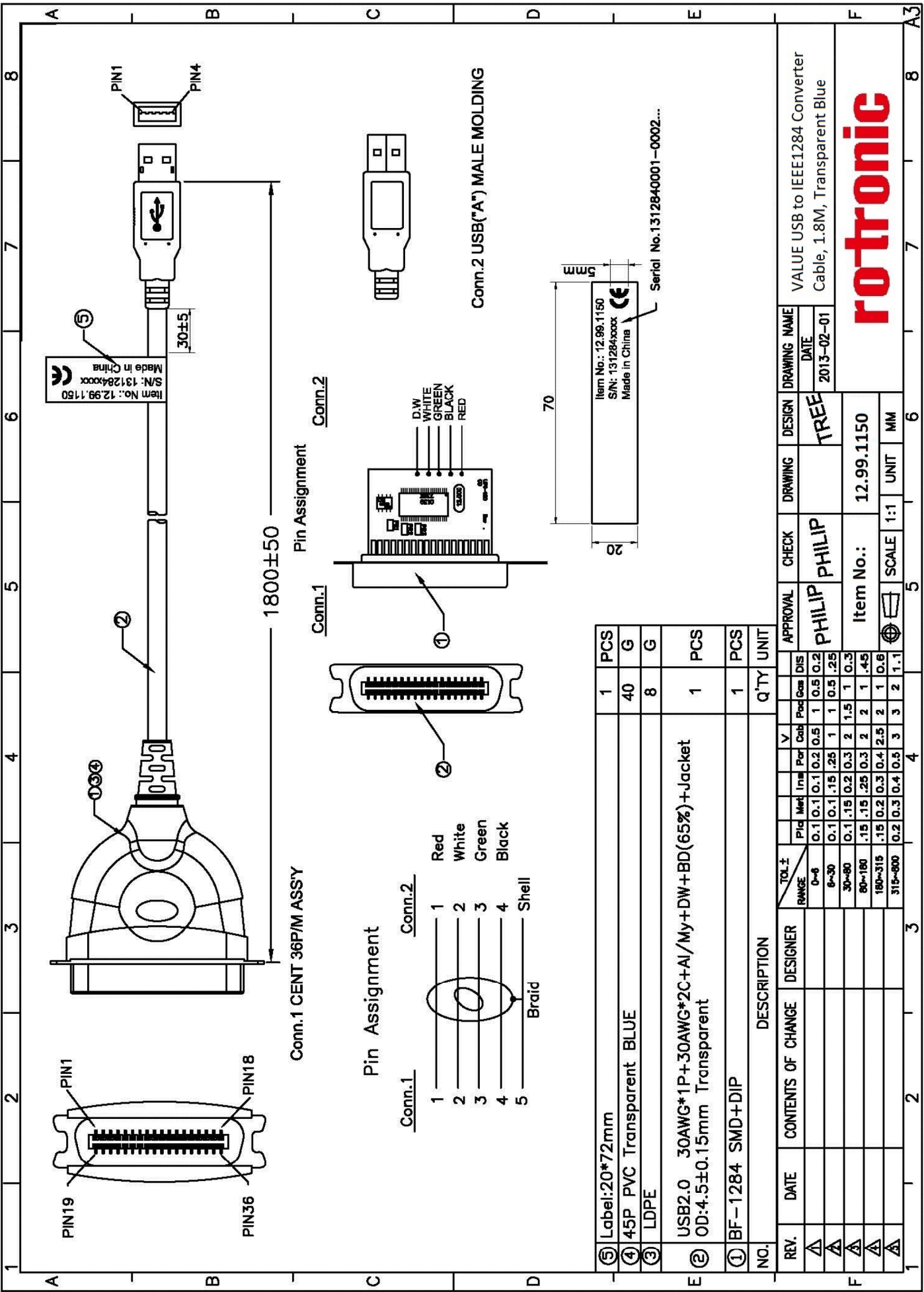
12.99.1150



VALUE USB Konverter Kabel USB nach IEEE 1284,

VALUE Câble convertisseur USB vers IEEE 1284,

VALUE USB to IEEE1284 Converter Cable, 1.8 m



REV.	DATE	CONTENTS OF CHANGE	DESIGNER	TOL.± RANGE	Plat	Med	Insl	Per	Cal	Pod	Dis	APPROVAL	CHECK	DRAWING	DESIGN	DRAWING NAME
⑤		Label:20*72mm		0-6	0.1	0.1	0.2	0.5	1	0.5	0.2	PHILIP	PHILIP		TREE	VALUE USB to IEEE1284 Converter
④		45P PVC Transparent BLUE		6-30	0.1	0.1	.15	.25	1	0.5	.25					Cable, 1.8M, Transparent Blue
③		LDPE		30-60	0.1	.15	0.2	0.3	2	1.5	1					
②		USB2.0 30AWG*1P+30AWG*2C+AI/My+DW+BD(65%)+Jacket OD:4.5±0.15mm Transparent		80-180	.15	.15	.25	0.3	2	2	1					
①		BF-1284 SMD+DIP		180-315	.15	0.2	0.3	0.4	2.5	2	1					
NO.		DESCRIPTION		315-600	0.2	0.3	0.4	0.5	3	3	2					

rotronic

Item No.: 12.99.1150

SCALE 1:1

UNIT MM

APPROVAL PHILIP

CHECK PHILIP

DRAWING TREE

DESIGN DATE 2013-02-01

DRAWING NAME

DATE

VALUE USB to IEEE1284 Converter

Cable, 1.8M, Transparent Blue

Item No.: 12.99.1150

SCALE 1:1

UNIT MM

APPROVAL PHILIP

CHECK PHILIP

DRAWING TREE

DESIGN DATE 2013-02-01

DRAWING NAME

DATE

VALUE USB to IEEE1284 Converter

Cable, 1.8M, Transparent Blue

Item No.: 12.99.1150

SCALE 1:1

UNIT MM

APPROVAL PHILIP

CHECK PHILIP

DRAWING TREE

DESIGN DATE 2013-02-01

DRAWING NAME

DATE

VALUE USB to IEEE1284 Converter

Cable, 1.8M, Transparent Blue

Item No.: 12.99.1150

SCALE 1:1

UNIT MM

APPROVAL PHILIP

CHECK PHILIP

DRAWING TREE

DESIGN DATE 2013-02-01

DRAWING NAME

DATE

VALUE USB to IEEE1284 Converter

Cable, 1.8M, Transparent Blue

Item No.: 12.99.1150

SCALE 1:1

UNIT MM

APPROVAL PHILIP

CHECK PHILIP

DRAWING TREE

DESIGN DATE 2013-02-01

DRAWING NAME

DATE

VALUE USB to IEEE1284 Converter

Cable, 1.8M, Transparent Blue

Item No.: 12.99.1150

SCALE 1:1

UNIT MM

APPROVAL PHILIP

CHECK PHILIP

DRAWING TREE

DESIGN DATE 2013-02-01

DRAWING NAME

DATE

VALUE USB to IEEE1284 Converter

Cable, 1.8M, Transparent Blue

Item No.: 12.99.1150

SCALE 1:1

UNIT MM

APPROVAL PHILIP

CHECK PHILIP

DRAWING TREE

DESIGN DATE 2013-02-01

DRAWING NAME

DATE

VALUE USB to IEEE1284 Converter

Cable, 1.8M, Transparent Blue

Item No.: 12.99.1150

SCALE 1:1

UNIT MM

APPROVAL PHILIP

CHECK PHILIP

DRAWING TREE

DESIGN DATE 2013-02-01

DRAWING NAME

DATE

VALUE USB to IEEE1284 Converter

Cable, 1.8M, Transparent Blue

Item No.: 12.99.1150

SCALE 1:1

UNIT MM

APPROVAL PHILIP

CHECK PHILIP

DRAWING TREE

DESIGN DATE 2013-02-01

DRAWING NAME

DATE

VALUE USB to IEEE1284 Converter

Cable, 1.8M, Transparent Blue

Item No.: 12.99.1150

SCALE 1:1

UNIT MM

APPROVAL PHILIP

CHECK PHILIP

DRAWING TREE

DESIGN DATE 2013-02-01

DRAWING NAME

DATE

VALUE USB to IEEE1284 Converter

Cable, 1.8M, Transparent Blue

Item No.: 12.99.1150

SCALE 1:1

UNIT MM

APPROVAL PHILIP

CHECK PHILIP

DRAWING TREE

DESIGN DATE 2013-02-01

DRAWING NAME

DATE

VALUE USB to IEEE1284 Converter

Cable, 1.8M, Transparent Blue

Item No.: 12.99.1150

SCALE 1:1

UNIT MM

APPROVAL PHILIP

CHECK PHILIP

DRAWING TREE

DESIGN DATE 2013-02-01

DRAWING NAME

DATE

VALUE USB to IEEE1284 Converter

Cable, 1.8M, Transparent Blue

Item No.: 12.99.1150

SCALE 1:1

UNIT MM

APPROVAL PHILIP

CHECK PHILIP

DRAWING TREE

DESIGN DATE 2013-02-01

DRAWING NAME

DATE

VALUE USB to IEEE1284 Converter

Cable, 1.8M, Transparent Blue

Item No.: 12.99.1150

SCALE 1:1

UNIT MM

APPROVAL PHILIP

CHECK PHILIP

DRAWING TREE

DESIGN DATE 2013-02-01

DRAWING NAME

DATE

VALUE USB to IEEE1284 Converter

Cable, 1.8M, Transparent Blue

Item No.: 12.99.1150

SCALE 1:1

UNIT MM

APPROVAL PHILIP

CHECK PHILIP

DRAWING TREE

DESIGN DATE 2013-02-01

DRAWING NAME

DATE

VALUE USB to IEEE1284 Converter

Cable, 1.8M, Transparent Blue

Item No.: 12.99.1150

SCALE 1:1

UNIT MM

APPROVAL PHILIP

CHECK PHILIP

DRAWING TREE

DESIGN DATE 2013-02-01

DRAWING NAME

DATE

VALUE USB to IEEE1284 Converter

Cable, 1.8M, Transparent Blue

Item No.: 12.99.1150

SCALE 1:1

UNIT MM

APPROVAL PHILIP

CHECK PHILIP

DRAWING TREE

DESIGN DATE 2013-02-01

DRAWING NAME

DATE

VALUE USB to IEEE1284 Converter

Cable, 1.8M, Transparent Blue

Item No.: 12.99.1150

SCALE 1:1

UNIT MM

APPROVAL PHILIP

CHECK PHILIP

DRAWING TREE

DESIGN DATE 2013-02-01

DRAWING NAME

DATE

VALUE USB to IEEE1284 Converter

Cable, 1.8M, Transparent Blue

Item No.: 12.99.1150

SCALE 1:1

UNIT MM

APPROVAL PHILIP

CHECK PHILIP

DRAWING TREE

DESIGN DATE 2013-02-01

DRAWING NAME

DATE

VALUE USB to IEEE1284 Converter

Cable, 1.8M, Transparent Blue

Item No.: 12.99.1150

SCALE 1:1

UNIT MM

APPROVAL PHILIP

CHECK PHILIP

DRAWING TREE

DESIGN DATE 2013-02-01

DRAWING NAME

DATE

VALUE USB to IEEE1284 Converter

Cable, 1.8M, Transparent Blue

Item No.: 12.99.1150

SCALE 1:1

UNIT MM

APPROVAL PHILIP

CHECK PHILIP

DRAWING TREE

DESIGN DATE 2013-02-01

DRAWING NAME

DATE

VALUE USB to IEEE1284 Converter

Cable, 1.8M, Transparent Blue

Item No.: 12.99.1150

SCALE 1:1

UNIT MM

APPROVAL PHILIP

CHECK PHILIP

DRAWING TREE

DESIGN DATE 2013-02-01

DRAWING NAME