

THIS DRAWING IS UNPUBLISHED.

RELEASED FOR PUBLICATION

2005

© COPYRIGHT 2005

Tyco Electronics AMP GmbH

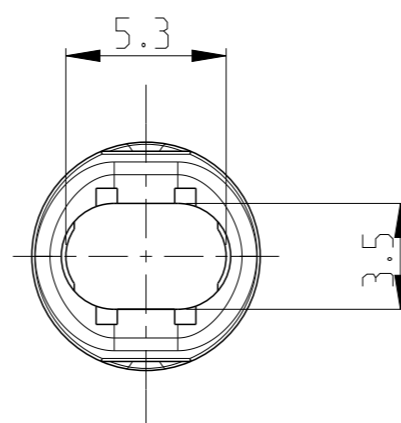
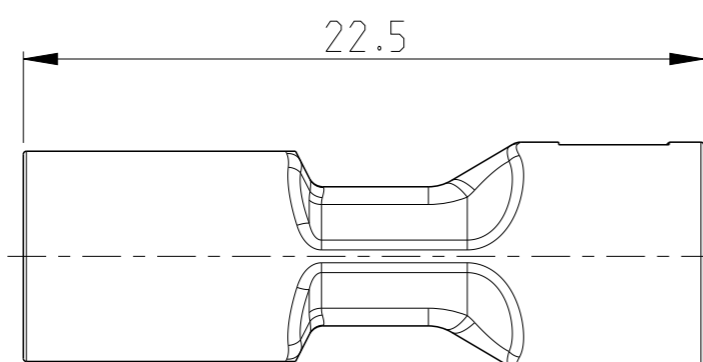
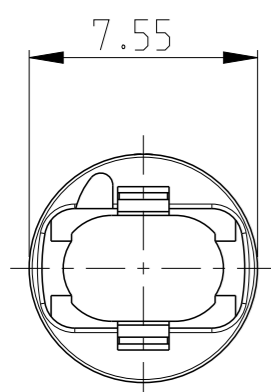
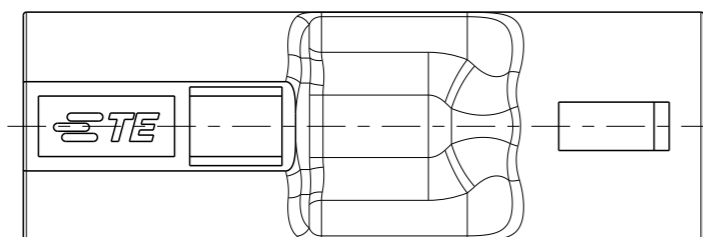
ALL RIGHTS RESERVED.

LOC  
A1

DIST  
-

REVISIONS

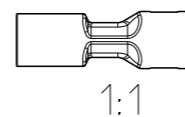
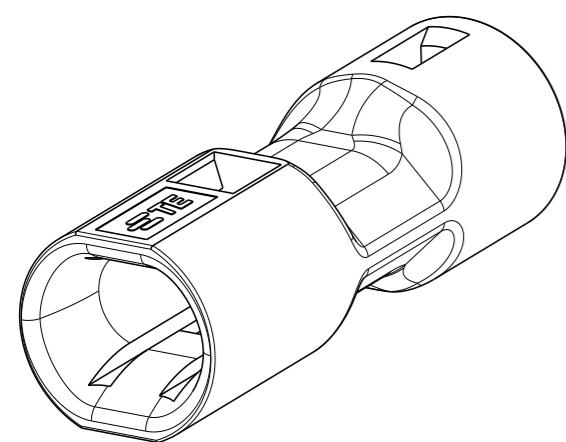
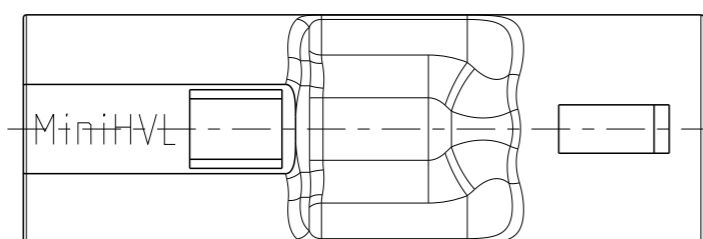
P	LTR	DESCRIPTION	DATE	DWN	APVD
	J1	REVISED PER ECR-14-008397	10JUN2014	RS	DD

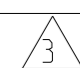



Remarks:

- Space inside designed for cable type H03VVH2-F 2x0,75mm<sup>2</sup> (Details see Application Spec.)
- Counterparts see drawings for PN 1740259, 1740261 and 1740262 and corresponding products of the MiniHVL family

 Material is improved against UV influence



0-1740260-2	J	BLACK
0-1740260-1	J	WHITE 
PN	REV.	COLOR

THIS DRAWING IS A CONTROLLED DOCUMENT.		DWN H.ATZMANN 08FEB2005	 TE Connectivity NAME 7,5mm MiniHVL Connector System TUBE						
DIMENSIONS: mm		CHK M.OFENLOCH 08FEB2005				SIZE	CAGE CODE	DRAWING NO	RESTRICTED TO
TOLERANCES UNLESS OTHERWISE SPECIFIED:		APVD S.SKADE 29SEP2006				A3	00779	1740260	-
0 PLC ±0.2 1 PLC ±0.2 2 PLC ±0.2 3 PLC ± 4 PLC ± ANGLES ±1°		PRODUCT SPEC 108-94018				SCALE 4:1		SHEET 1 OF 1	REV J1
MATERIAL TPE		FINISH -	WEIGHT 0.5 g		Customer Drawing				