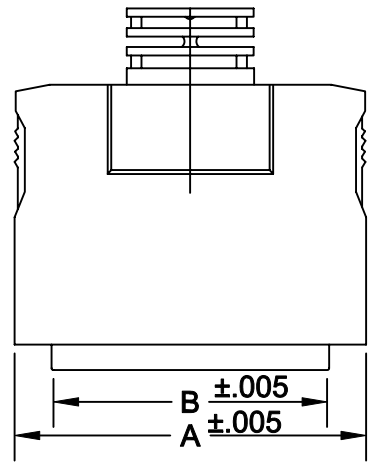
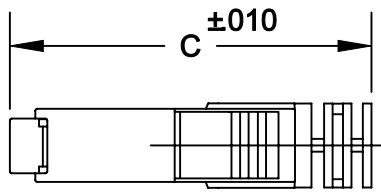
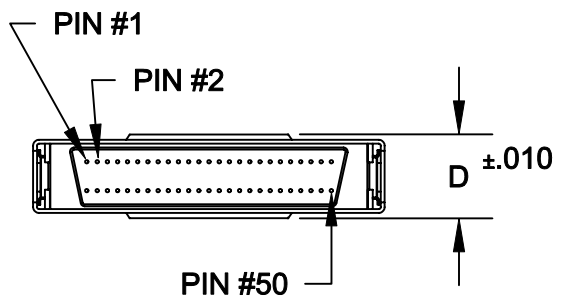


DESCRIPTION: SCSI Plastic Backshell w/Spring Latches

	A	B	C	D
50	1.917	1.404	1.732	.504
	48.70	35.65	44.00	12.80



- KIT INCLUDES:**
- (1) SOLDER CUP MALE CONNECTOR
 - (2) METAL SHELL HALVES
 - (2) SPRING LATCHES
 - (1) PLASTIC HOUSING COVER



988-YYY-010L091

SERIES _____

POSITIONS _____

050 _____

MATERIAL: _____

010 = PLASTIC _____

COLOR: _____

09 = IVORY _____

PUT-UPS _____

1 = KITS _____

Materials:

Connector:

- Insulator: Glass Filled Thermoplastic U.L. rated 94V-0
- Contacts: Copper Alloy
- Shell: Steel with nickel plating

Backshell: Glass Filled Thermoplastic U.L. rated 94V-0

RoHS COMPLIANT

Electricals:

- Contact current rating: 1.0 Amp
- Dielectric Withstanding Voltage: AC 500 V r.m.s.
- Insulation Resistance: 500 MEGOHMS Min.
- Contact Resistance: 25 MILLIOHMS Max.
- Operating Temperature: -55°C to + 105°C

RoHS COMPLIANT

	THESE DRAWINGS AND SPECIFICATIONS ARE THE PROPERTY OF NorComp AND SHALL NOT BE REPRODUCED, COPIED OR USED AS THE BASIS FOR THE MANUFACTURE OF SALE OF APPARATUS WITHOUT WRITTEN PERMISSION.		DRAWN: WAYNE ROBBINS	DATE: 9-21-05
			CHECKED:	DATE:
NorComp		SCALE: NTS	SHEET 1 OF 1	REV 3
		DWG NO. 988-YYY-010L091		