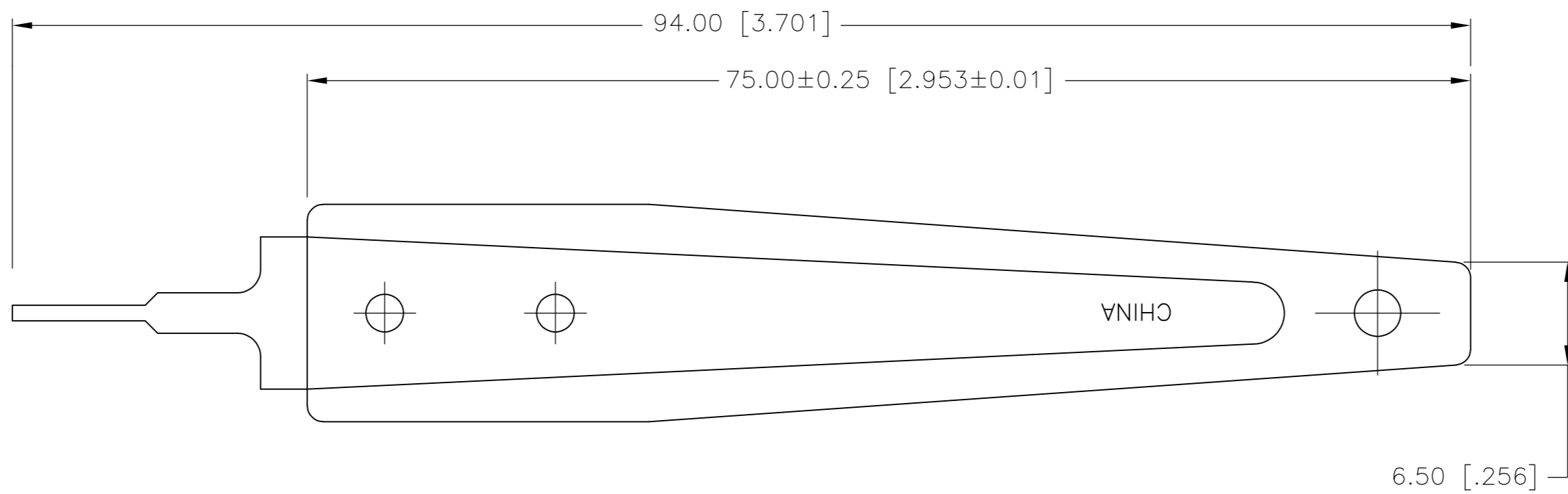
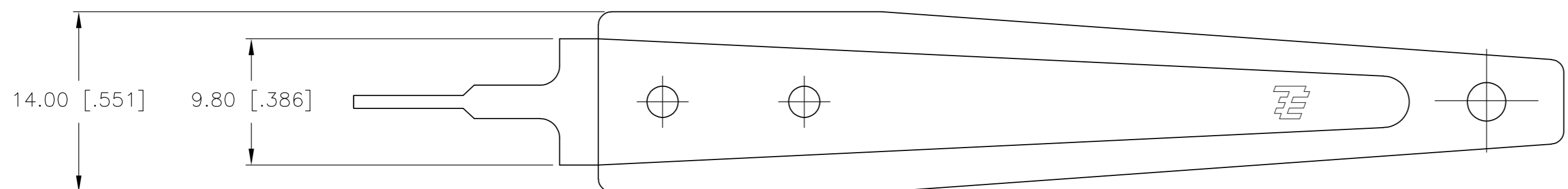
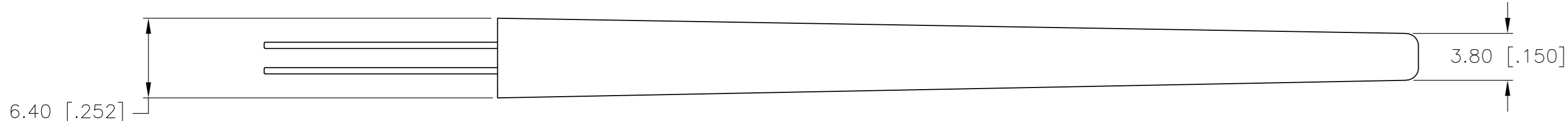


THIS DRAWING IS UNPUBLISHED. RELEASED FOR PUBLICATION  
 © COPYRIGHT BY TYCO ELECTRONICS CORPORATION. ALL RIGHTS RESERVED.

LOC		DIST		REVISIONS			
P	LTR	DESCRIPTION		DATE	DWN	APVD	
	A	REVISED PER ECO-08-006888		24MAR08	HMR	CC	
	B	REVISED PER ECO-13-011231		10JULY13	AZ	FM	



1 MATERIAL:  
 HANDLE: NYLON, UL94V-0, BLACK.  
 TINES: STAINLESS STEEL.



1586343-1  
 PART NUMBER

**METRIC**

THIS DRAWING IS A CONTROLLED DOCUMENT.		DWN	S. HOOVER	20-APR-2004	Tyco Electronics Corporation Harrisburg, PA 17105-3608
DIMENSIONS:		CHK	D. COLEY	20-APR-2004	
mm [INCHES]		APVD	D. COLEY	20-APR-2004	
TOLERANCES UNLESS OTHERWISE SPECIFIED:		PRODUCT SPEC	NAME		
0 PLC	±	APPLICATION SPEC	EXTRACTION TOOL		
1 PLC	±	WEIGHT	VAL-U-LOK(TM)		
2 PLC	± 0.13 [.005]	CUSTOMER DRAWING	SCALE	4:1	
3 PLC	±	FINISH	SHEET	1 of 1	
4 PLC	±		REV	B	
ANGLES	±				

1586343