

H G F E D C B A

4

3

2

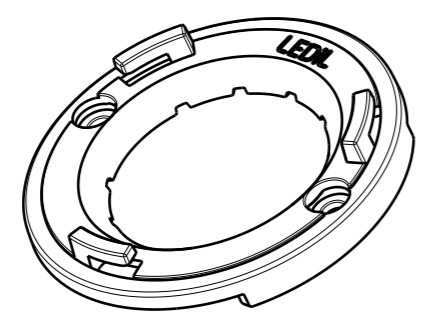
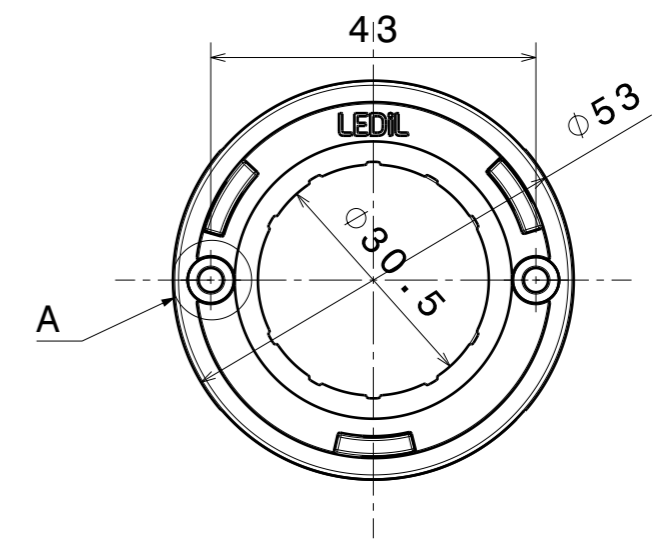
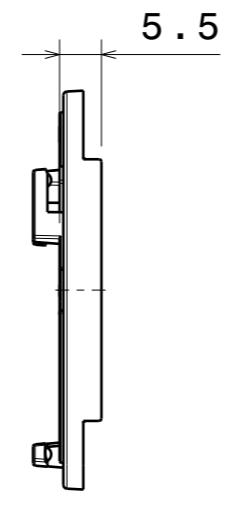
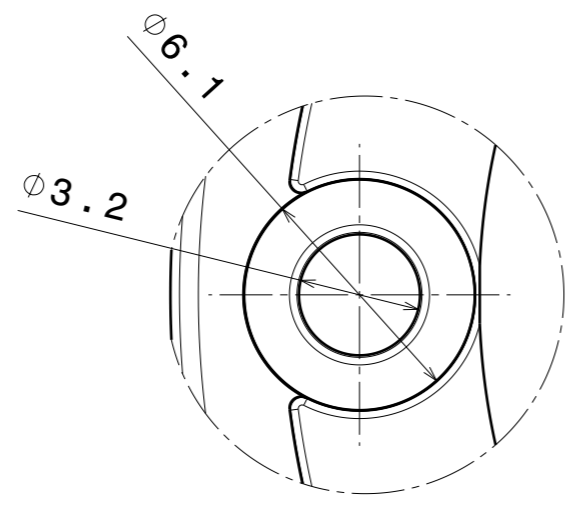
1

4

3

2


1



Right view
Scale: 1:1

Front view
Scale: 1:1

Isometric view
Scale: 1:1

This drawing is our property. It can't be reproduced or communicated without our written agreement.		 Ledil Oy Salorankatu 10 FIN 24240 SALO Finland	
DRAWING TITLE		Part Drawing	
DATASHEET CLAMP-VER029			
DRAWN BY PL	DATE 04.03.2013	SIZE A3	PART NUMBER C13584
CHECKED BY -	DATE -	SCALE 1:1	REV 001
DESIGNED BY PL	DATE -	WEIGHT -	SHEET 1/1

H G B A