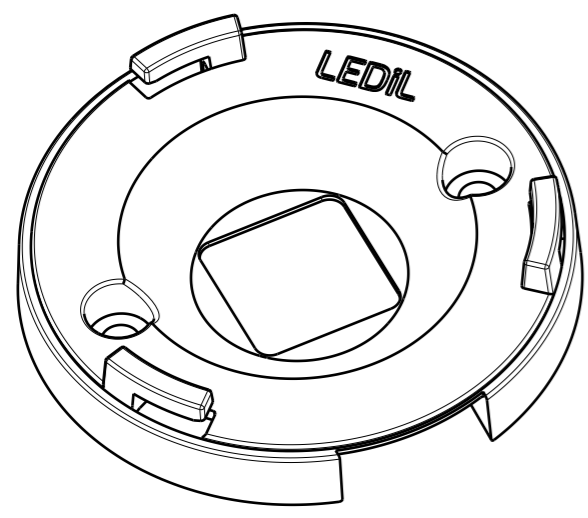
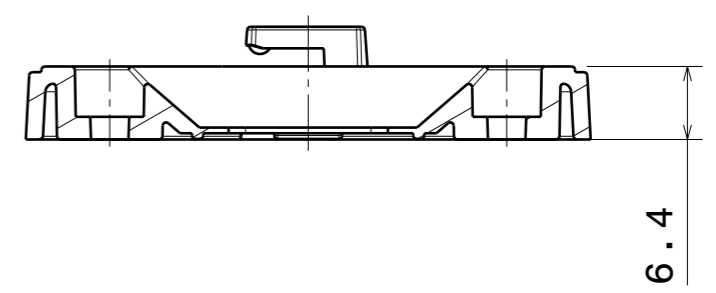


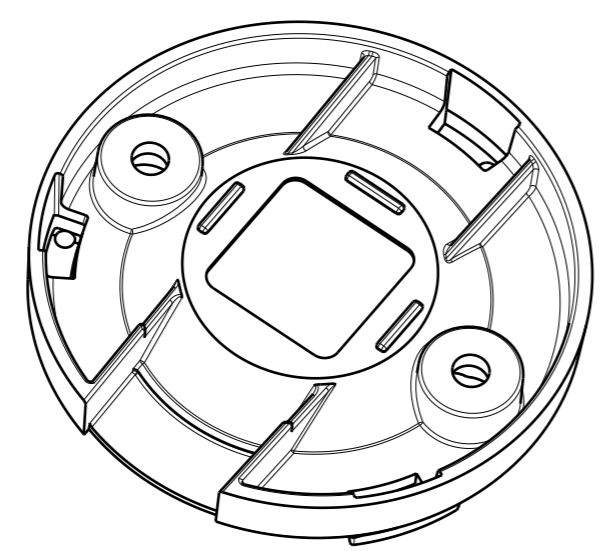
H G F E D C B A



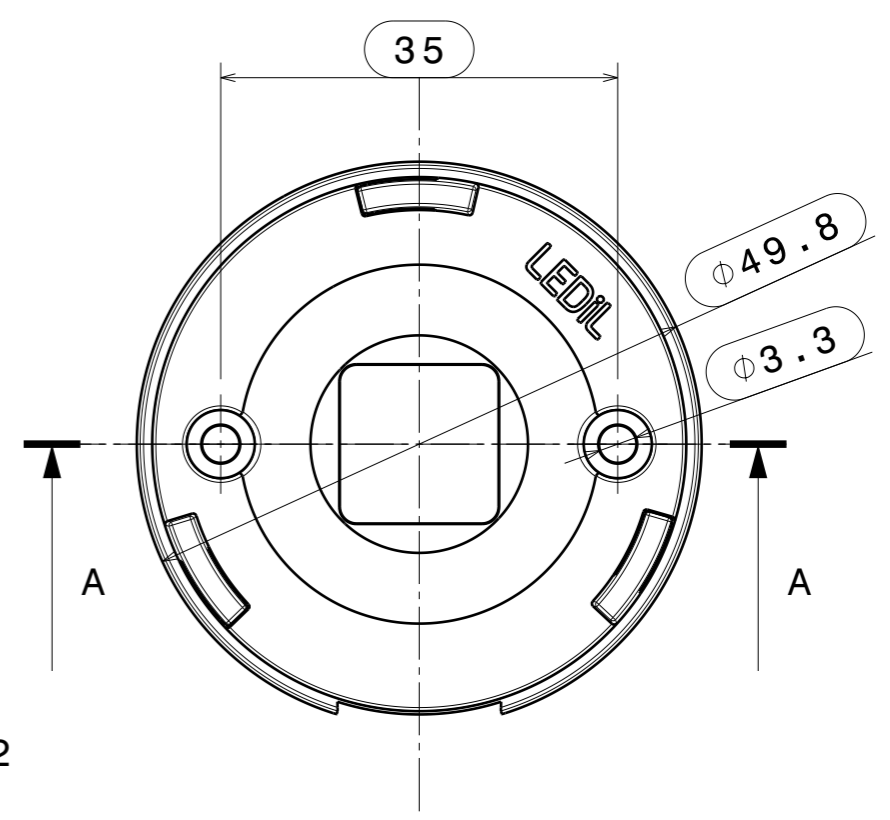
Isometric view
Scale: 3:2



Section view A-A
Scale: 3:2



Front view
Scale: 3:2



LEGEND

LEDiL PROPRIETARY

This drawing is the property of LEDiL Oy. It may not be reproduced, copied or communicated without a written agreement with LEDiL Oy.

Tolerances if not otherwise shown
According to DIN ISO 2768-1
Linear measures:
Up to 30mm class F, otherwise class M.
According to DIN ISO 2768-2
Form and position: class K
Control for SPC marked dimensions.



Ledil Oy
Salorankatu 10
FIN 24240 SALO
Finland

THIRD ANGLE PROJECTION:

DRAWING TITLE
DATASHEET_CLAMP-S3000

DRAWN BY	DATE
arsj.sjuvatti	
CHECKED BY	DATE
petri.laukkanen	
DESIGNED BY	DATE
petri.laukkanen	

INDEX	PART NO	DESCRIPTION	MATERIAL	COLOUR
1	C13397	CLAMP-S3000	PC	white
SIZE	PART NUMBER	REV		
A3	C13397	001		
SCALE	3:2	WEIGHT	SHEET	1/1

H G B A