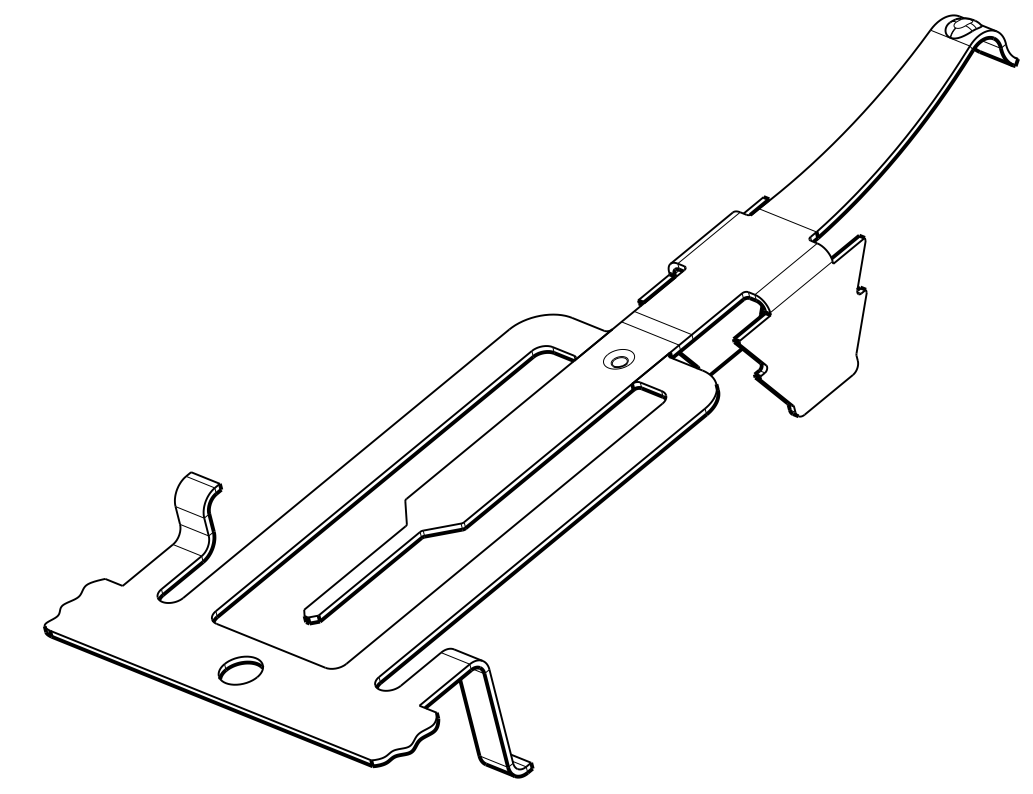
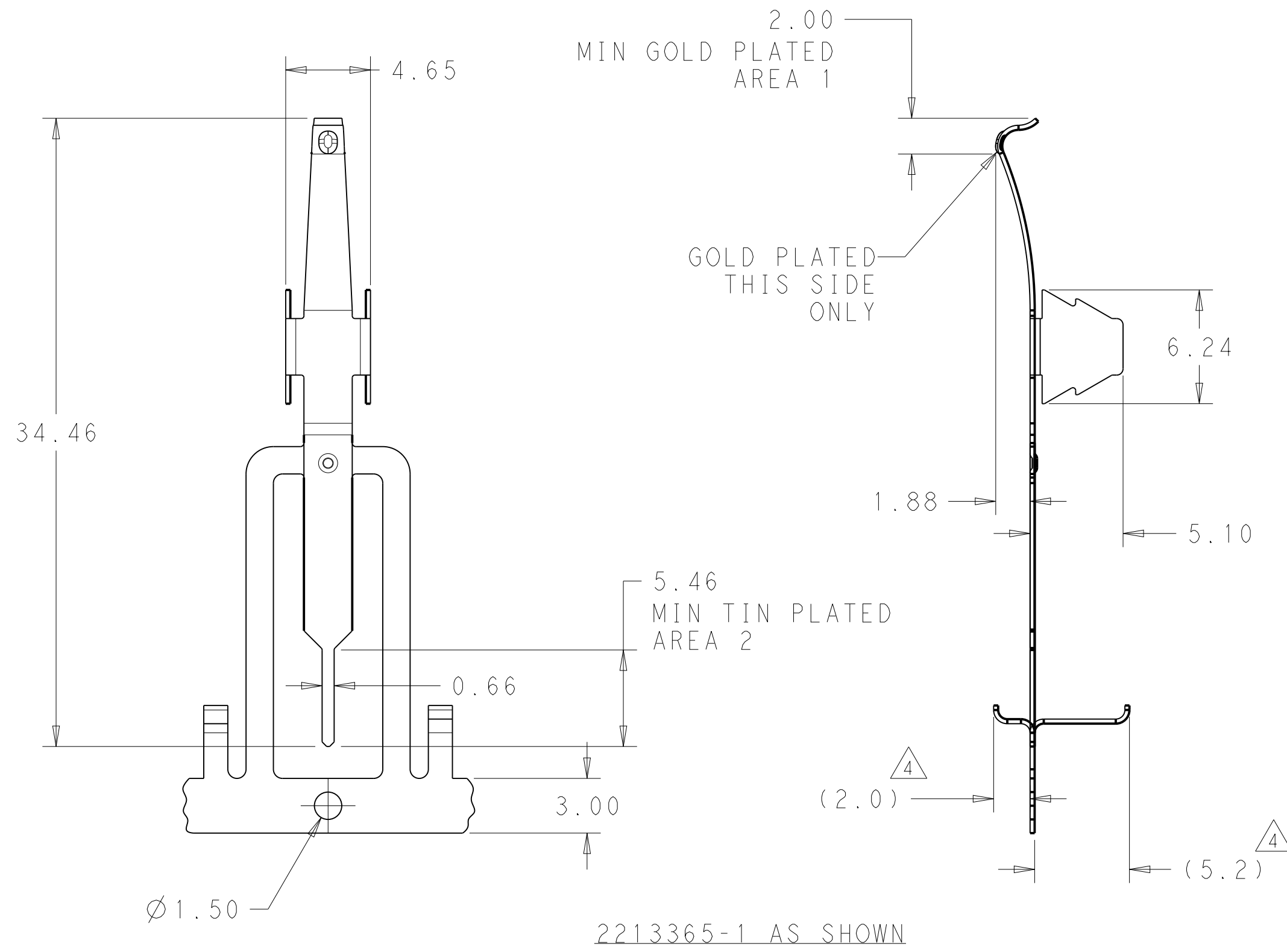


THIS DRAWING IS UNPUBLISHED. RELEASED FOR PUBLICATION 20
 © COPYRIGHT 20 BY - ALL RIGHTS RESERVED.

LOC		DIST		REVISIONS			
P	LTR	DESCRIPTION	DATE	DWN	APVD		
-	-	A	REVISED PER ECR-14-012230	12SEP2014	RS	DD	

NOTES:

- MATERIAL: COPPER ALLOY 0.254 THICK
 FINISH: NICKEL UNDERPLATE ENTIRE
 CONTACT 0.127 μm MIN THICK.
 GOLD PLATED IN AREA 1 ON ONE
 SIDE ONLY 0.76 μm MIN THICK.
 MATTE TIN PLATED IN AREA 2
 3.0 μm MIN THICK
- FINAL FORMING AND LOOSE PIECE OPERATIONS
 AS SHOWN ON SHEET 2 MUST BE PERFORMED
 BY CUSTOMER.
- APPLICATION FEED IS 14.64.
- CARRIER STRIP STANDOFFS PROVIDE
 PRODUCT PROTECTION DURING SHIPPING.



SCALE 4:1

AS SHOWN - ON STRIP	2213365-1
DESCRIPTION	PART NO.

THIS DRAWING IS A CONTROLLED DOCUMENT.		DWN J. SHAFFER 26 JUN 2013	TE Connectivity	
DIMENSIONS: mm		CHK E. HOWARD 26 JUN 2013	NAME DIMMABLE PHOTOCONTROL BRUSH CONTACT	
TOLERANCES UNLESS OTHERWISE SPECIFIED:		APVD E. HOWARD 26 JUN 2013	PRODUCT SPEC -	
0 PLC ±		APPLICATION SPEC -	SIZE A200779	CAGE CODE C-2213365
1 PLC ±		WEIGHT -	RESTRICTED TO -	
2 PLC ±0.13		Customer Drawing	SCALE 2:1	SHEET 1 OF 4
3 PLC ±				REV A
4 PLC ±				
ANGLES ±				
FINISH				

4

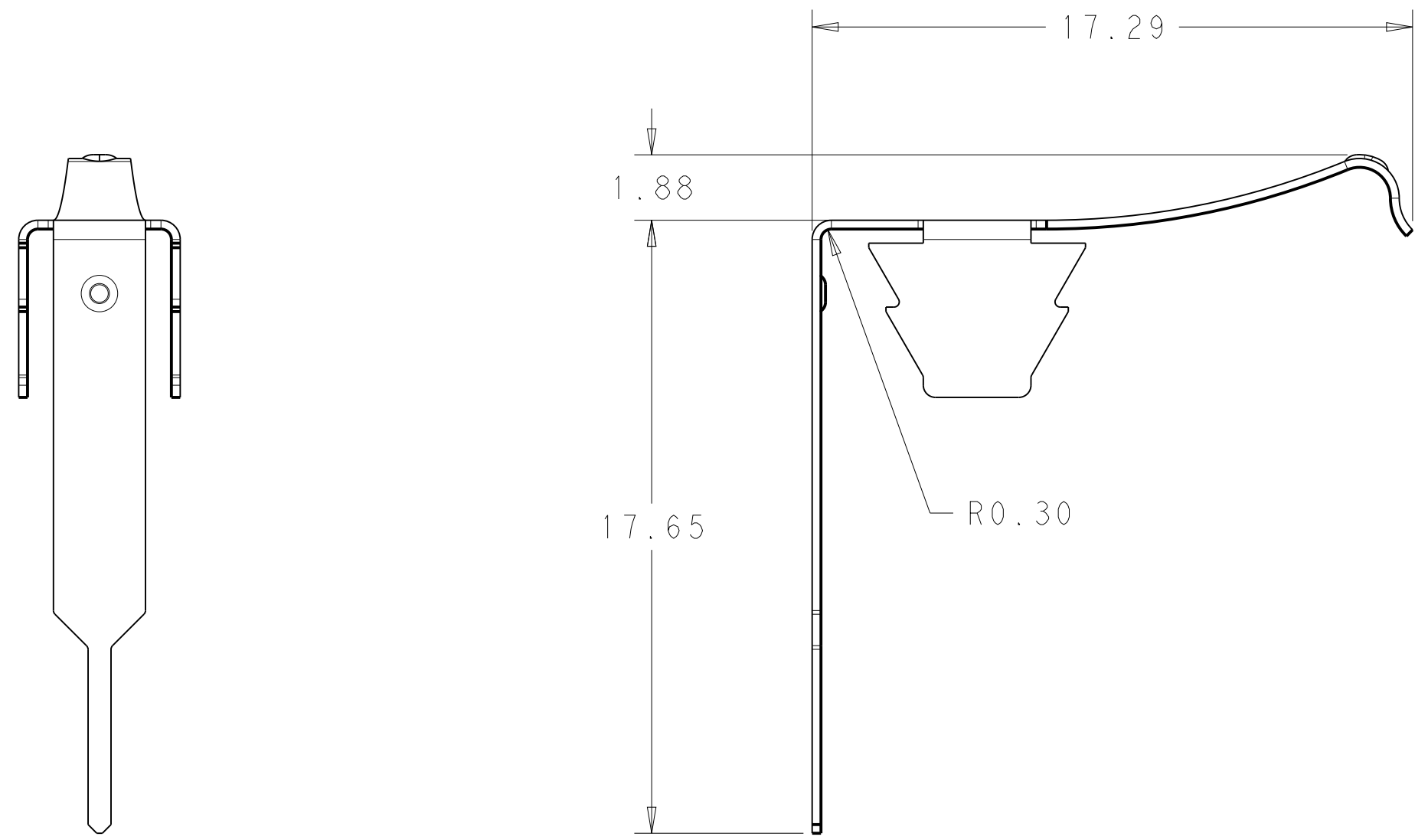
3

2


1

THIS DRAWING IS UNPUBLISHED. RELEASED FOR PUBLICATION 20
 © COPYRIGHT 20 BY - ALL RIGHTS RESERVED.

LOC		DIST		REVISIONS			
P	LTR	DESCRIPTION	DATE	DWN	APVD		
-	-	SEE SHEET 1	-	-	-		

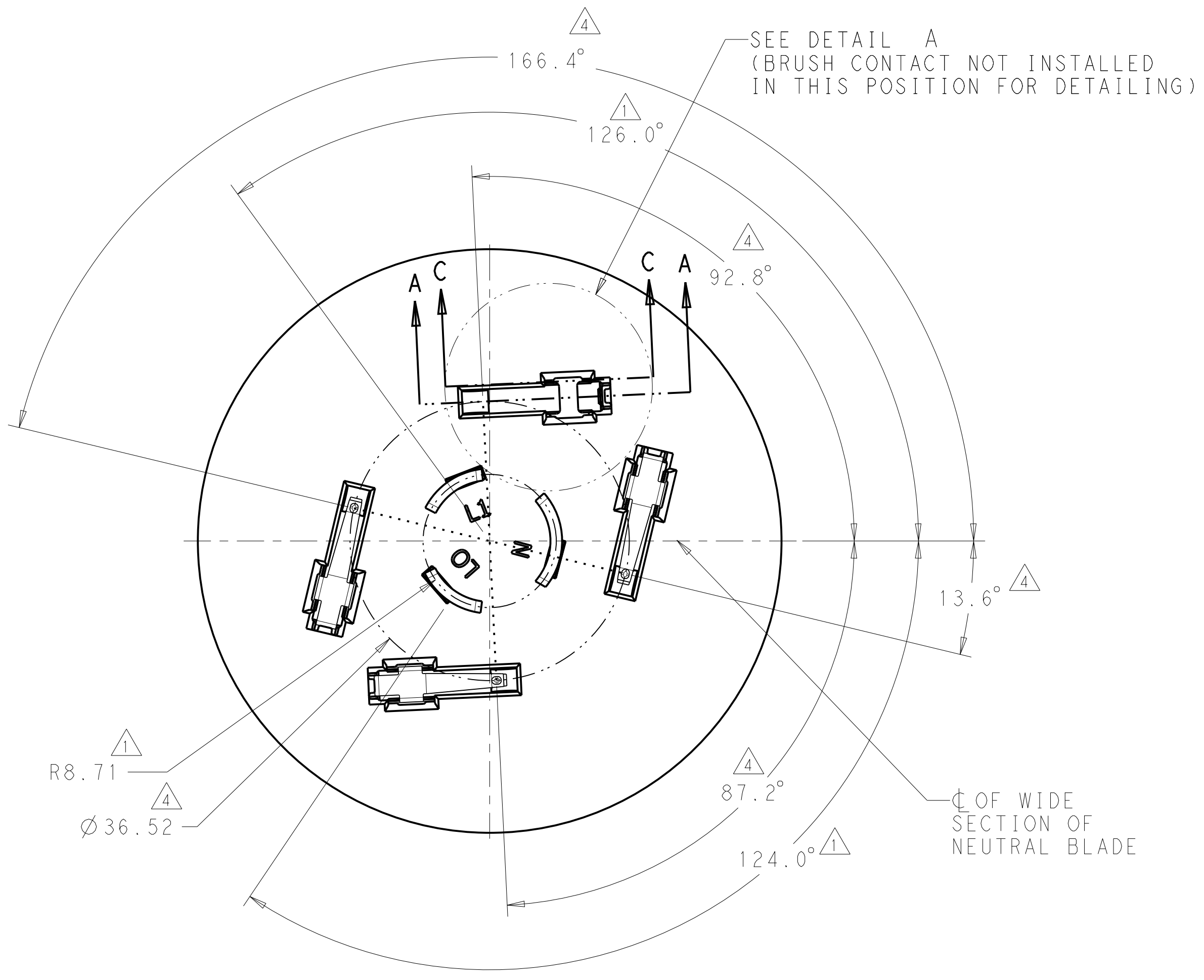


△
 RECOMMENDED FINAL FORMED
 LOOSE PIECE
 FINAL FORM AND LOOSE PIECE
 OPERATION MUST BE
 PERFORMED BY CUSTOMER

THIS DRAWING IS A CONTROLLED DOCUMENT.		DWN J. SHAFFER 26 JUN 2013	 TE Connectivity	
DIMENSIONS: mm		CHK E. HOWARD 26 JUN 2013		
TOLERANCES UNLESS OTHERWISE SPECIFIED:		APVD E. HOWARD 26 JUN 2013	NAME DIMMABLE PHOTOCONTROL BRUSH CONTACT	
0 PLC ± 1 PLC ± 2 PLC ±0.13 3 PLC ± 4 PLC ± ANGLES ± FINISH		PRODUCT SPEC -	RESTRICTED TO -	
MATERIAL -		APPLICATION SPEC -	SIZE A200779	DRAWING NO C-2213365
-		WEIGHT -	SCALE 2:1	SHEET 2 OF 4
-		Customer Drawing	REV A	

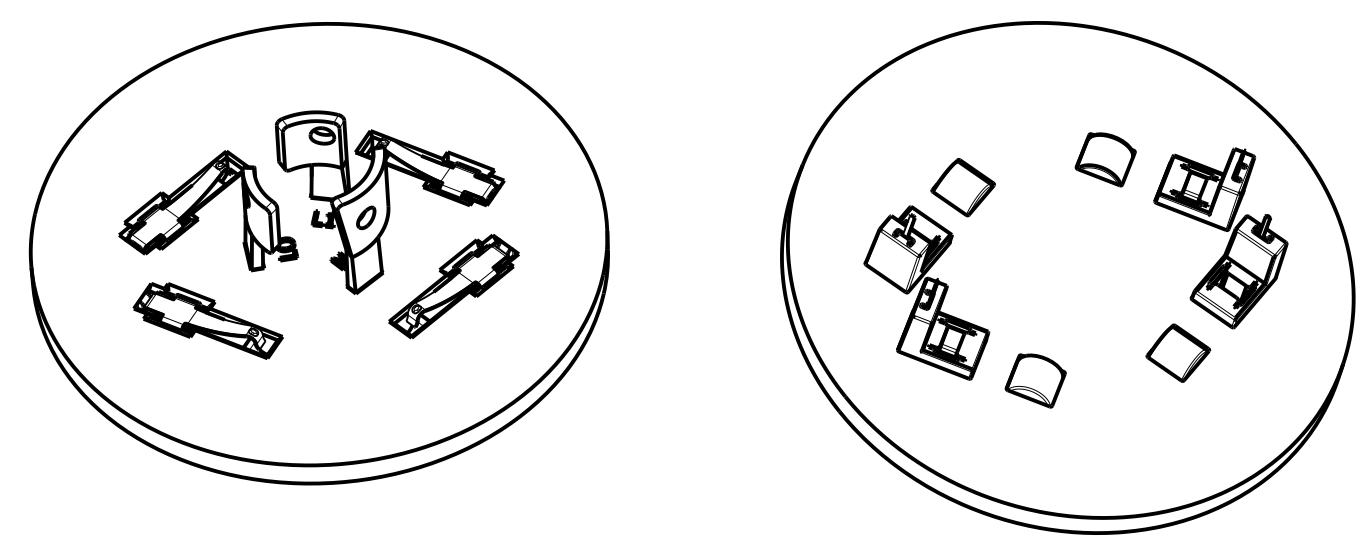
THIS DRAWING IS UNPUBLISHED. RELEASED FOR PUBLICATION 20
 © COPYRIGHT 20 BY - ALL RIGHTS RESERVED.

LOC		DIST		REVISIONS			
P	LTR	DESCRIPTION	DATE	DWN	APVD		
-	-	SEE SHEET 1	-	-	-		

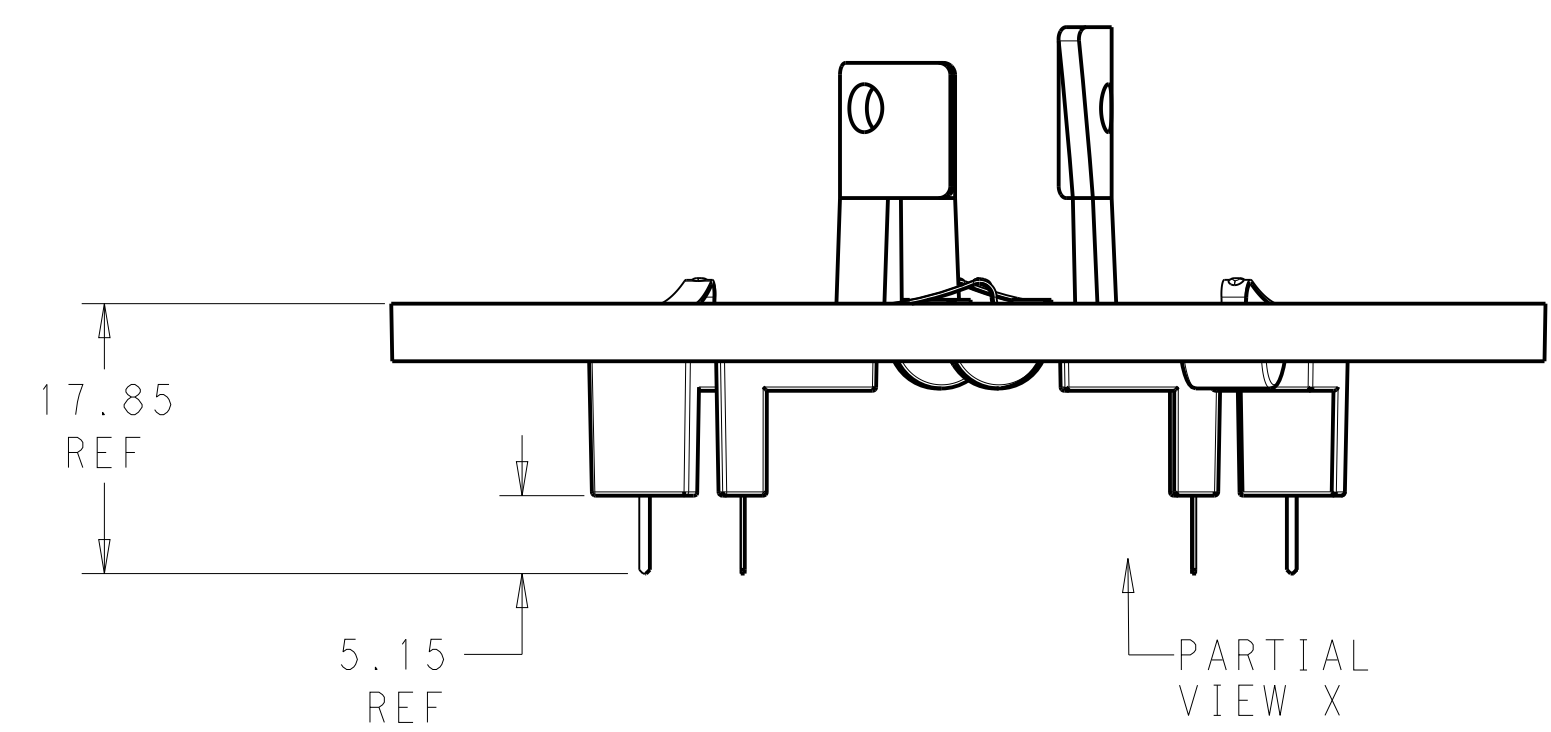


NOTES FOR BRUSH CONTACT POCKET DETAILS:

- 1. DIMENSIONS ARE PER ANSI C136.10
- 2. UNLESS OTHERWISE NOTED, ALL DIMENSIONS ARE ±0.127mm
- 3. UNLESS OTHERWISE NOTED, ALL ANGLES ARE ±0.5°
- 4. CIRCULAR AND ANGULAR POSITION FOR CONTACT POINT ON BRUSH CONTACT.
- 5. CUSTOMER MAY ROTATE BRUSH CONTACT POCKET PER THEIR PHOTOCELL DESIGN REQUIREMENTS, BUT BRUSH CONTACT POINT MUST BE POSITIONED AS SHOWN TO BE COMPATIBLE WITH ANSI C136.41-200X DIMMING RECEPTACLE.



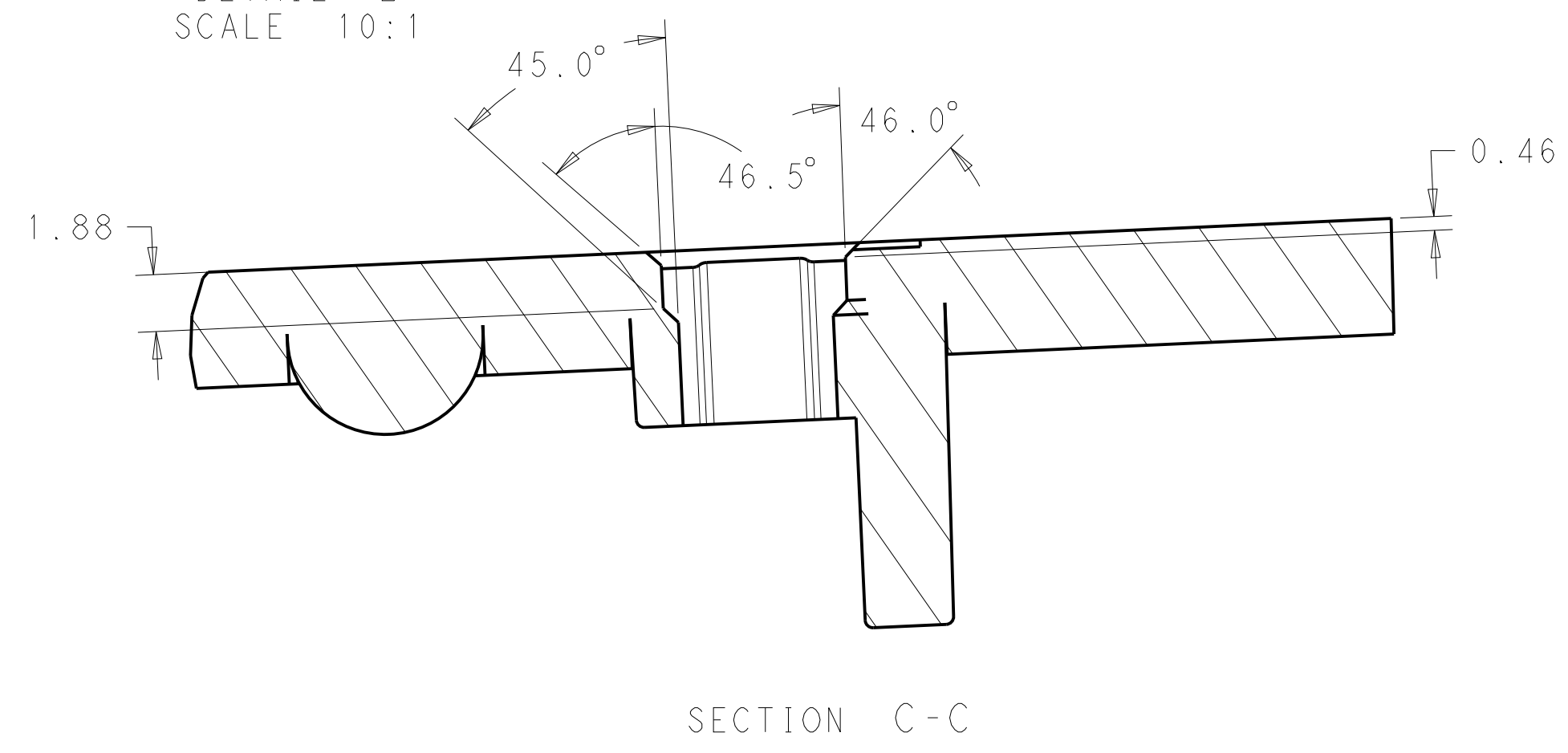
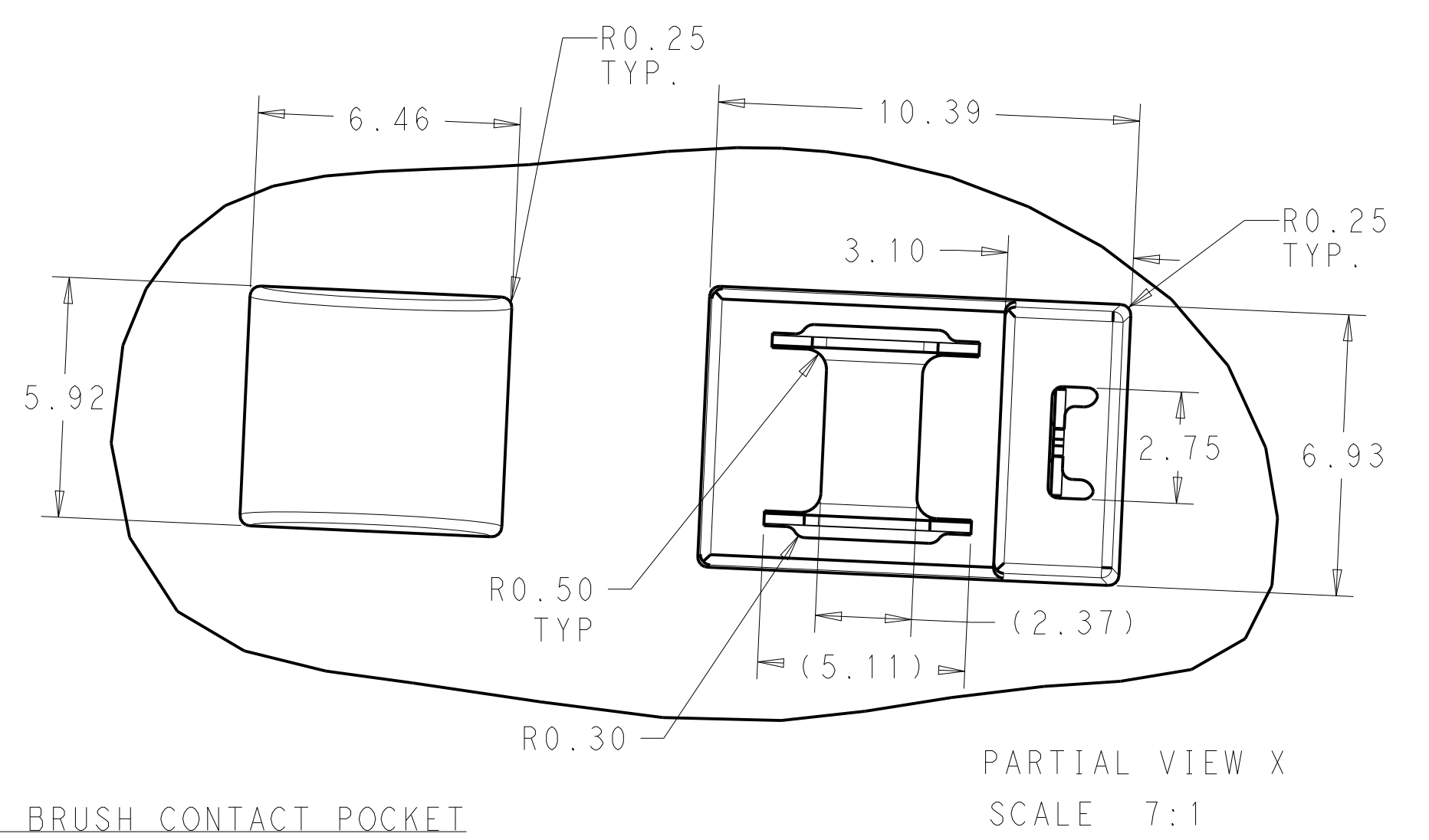
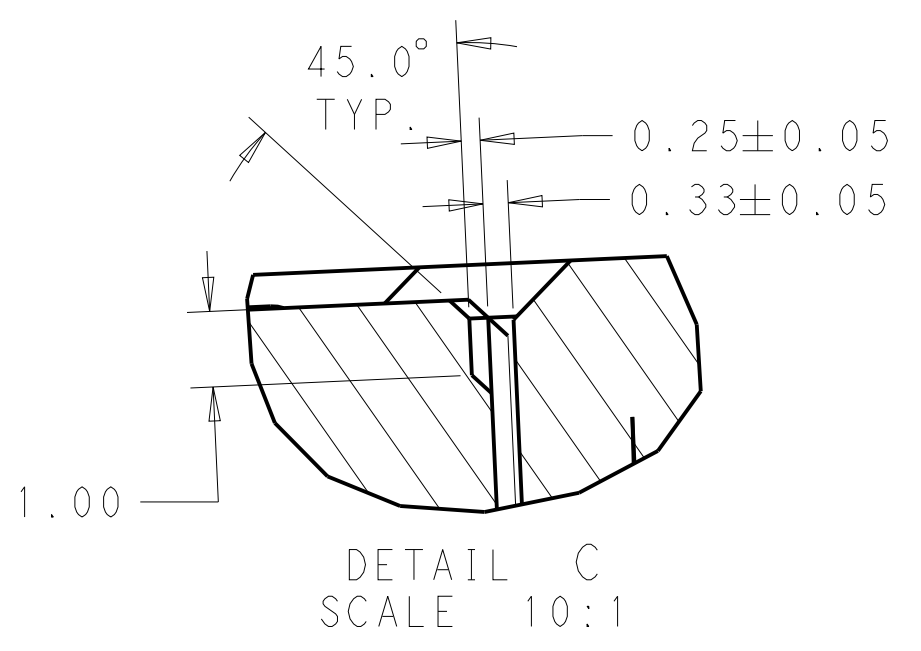
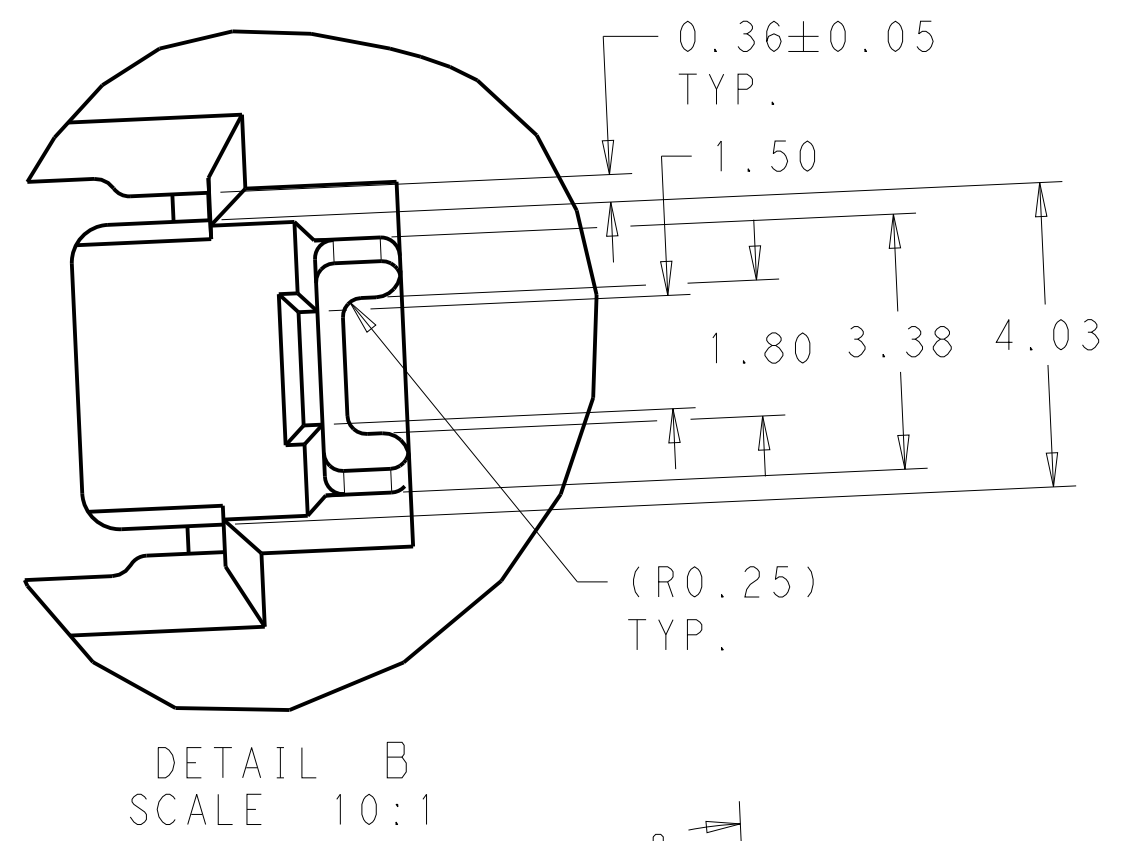
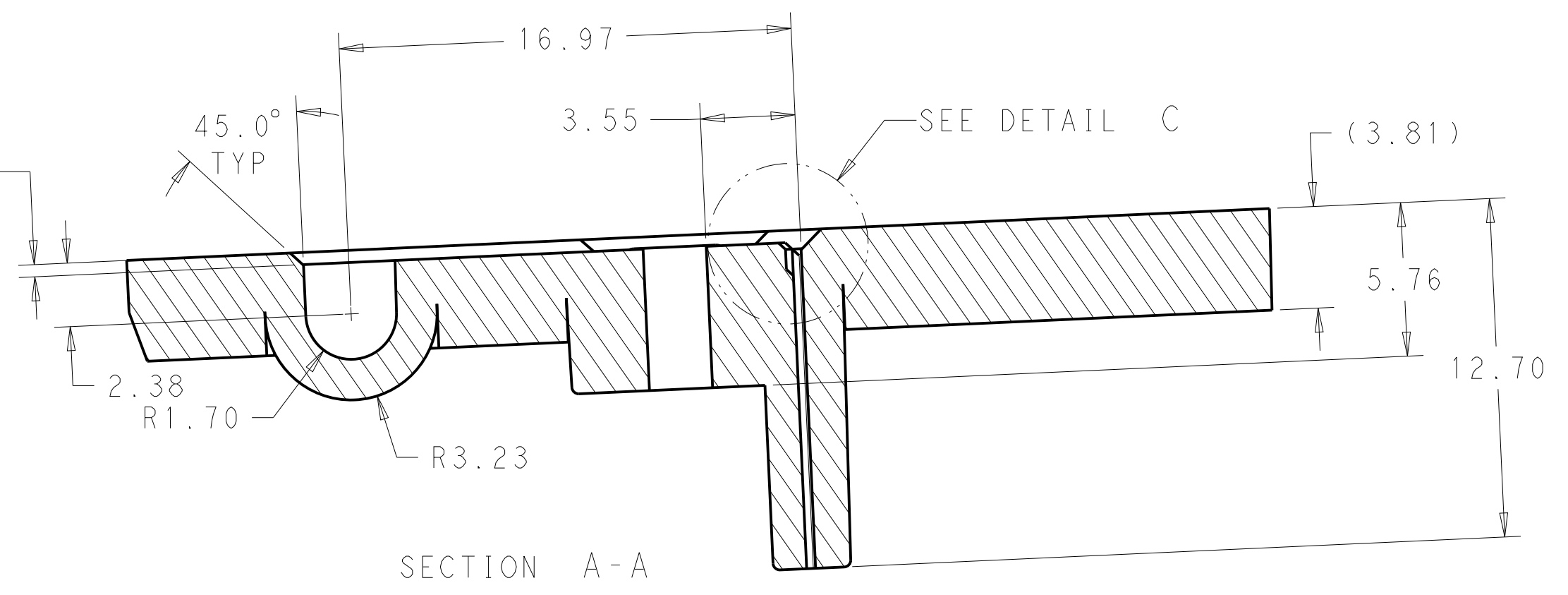
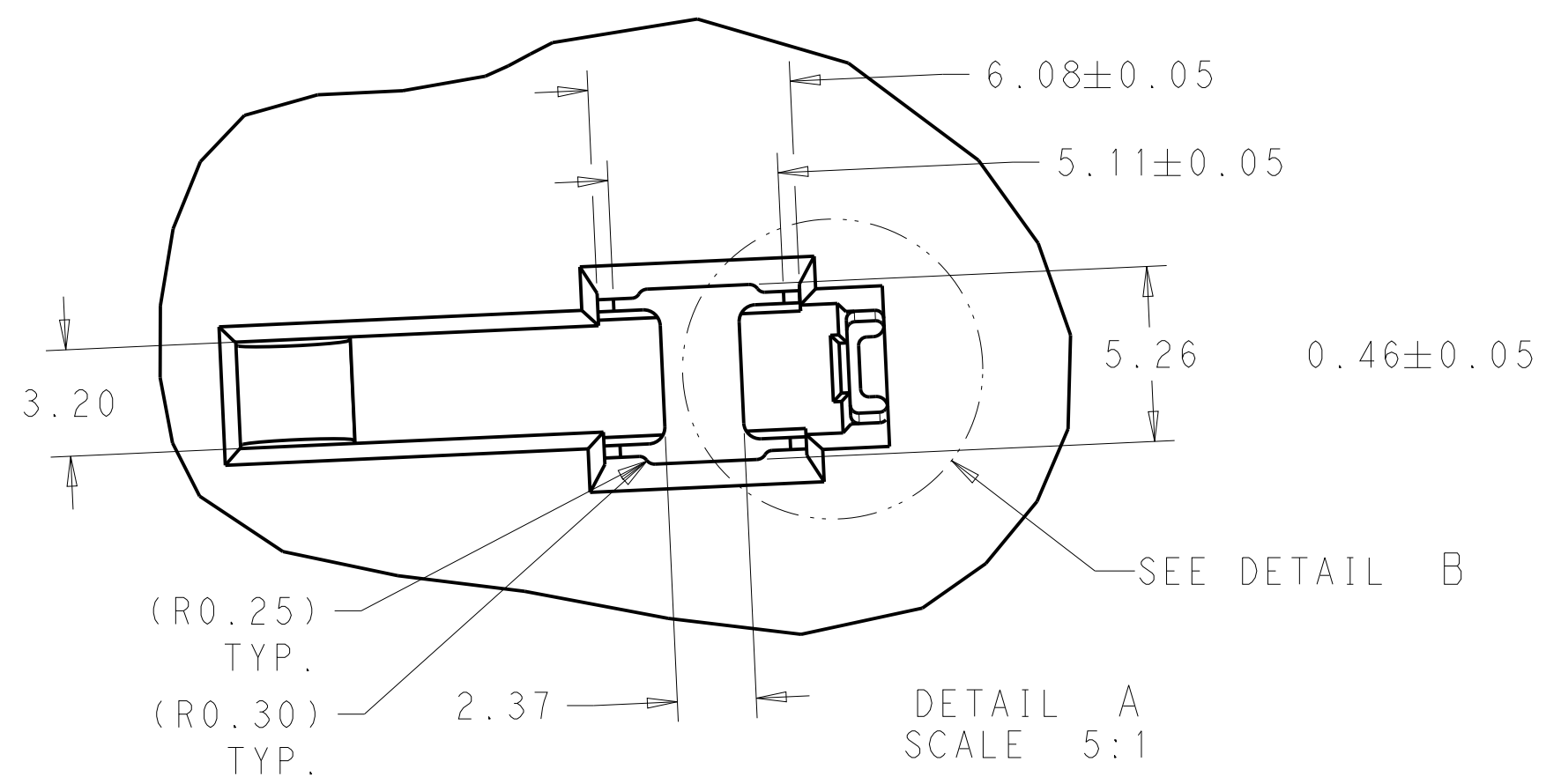
PHOTOCELL BRUSH CONTACT LOCATIONS AS SHOWN



THIS DRAWING IS A CONTROLLED DOCUMENT.		DWN J. SHAFFER 26 JUN 2013	TE Connectivity	
DIMENSIONS: mm		CHK E. HOWARD 26 JUN 2013		
TOLERANCES UNLESS OTHERWISE SPECIFIED:		APVD E. HOWARD 26 JUN 2013	NAME DIMMABLE PHOTOCONTROL BRUSH CONTACT	
0 PLC ±		PRODUCT SPEC	SIZE CAGE CODE DRAWING NO RESTRICTED TO	
1 PLC ±		APPLICATION SPEC	A200779 C-2213365	
2 PLC ±0.13		WEIGHT	SCALE 2:1 SHEET 3 OF 4 REV A	
3 PLC ±		MATERIAL	Customer Drawing	
4 PLC ±				
ANGLES ±				
FINISH				

THIS DRAWING IS UNPUBLISHED. RELEASED FOR PUBLICATION 20
 © COPYRIGHT 20 BY - ALL RIGHTS RESERVED.

LOC		DIST		REVISIONS			
P	LTR	DESCRIPTION	DATE	DWN	APVD		
-	-	SEE SHEET 1	-	-	-		



SUGGESTED BRUSH CONTACT POCKET
 DETAIL AS SHOWN

THIS DRAWING IS A CONTROLLED DOCUMENT.		DWN J. SHAFFER 26 JUN 2013	TE Connectivity	
DIMENSIONS: mm		CHK E. HOWARD 26 JUN 2013		
TOLERANCES UNLESS OTHERWISE SPECIFIED:		APVD E. HOWARD 26 JUN 2013	NAME DIMMABLE PHOTOCONTROL BRUSH CONTACT	
0 PLC ± 1 PLC ± 2 PLC ±0.13 3 PLC ± 4 PLC ± ANGLES ± FINISH ±		PRODUCT SPEC -	SIZE A200779	
MATERIAL		APPLICATION SPEC -	DRAWING NO C-2213365	RESTRICTED TO -
		WEIGHT -	SCALE 2:1	SHEET 4 OF 4
		Customer Drawing	REV A	