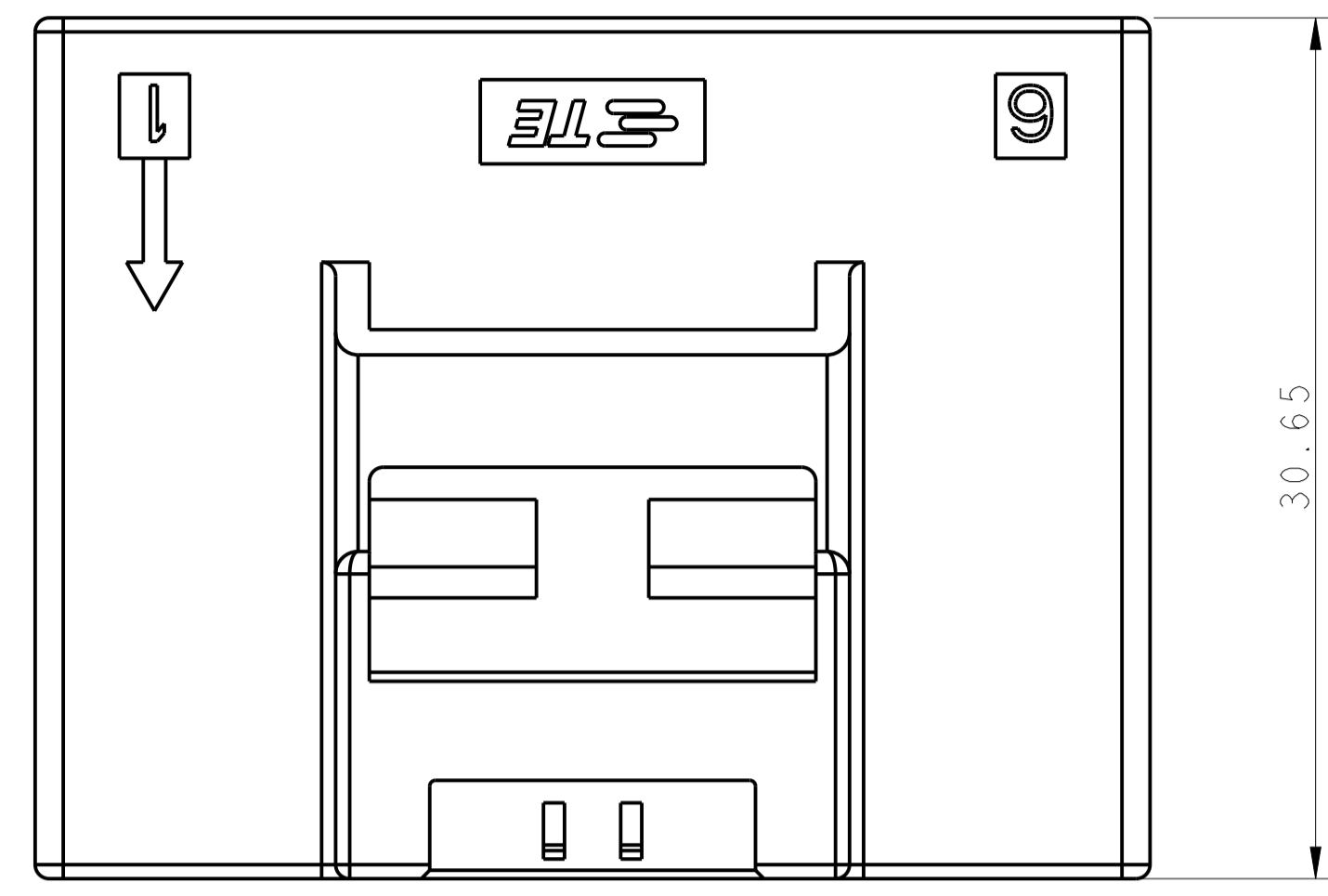
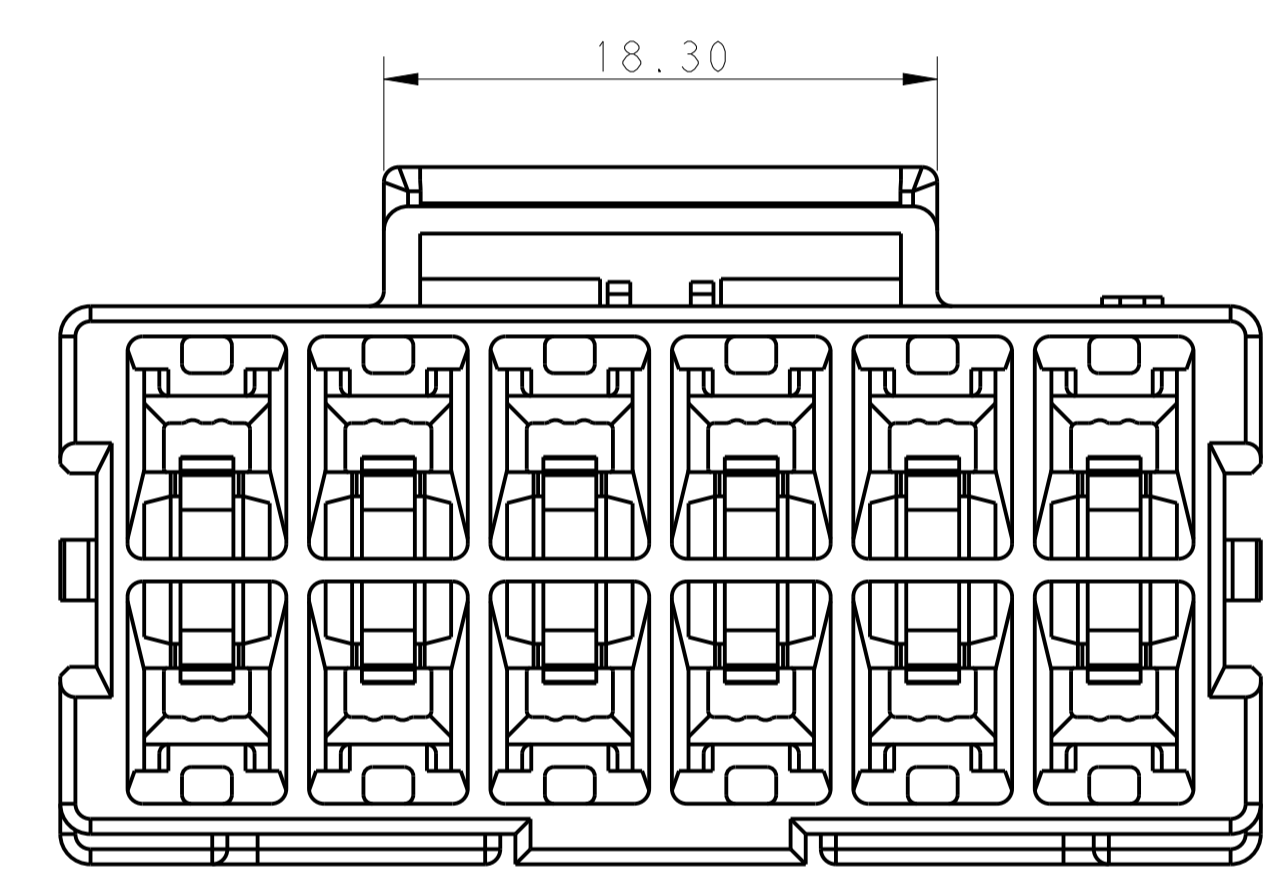
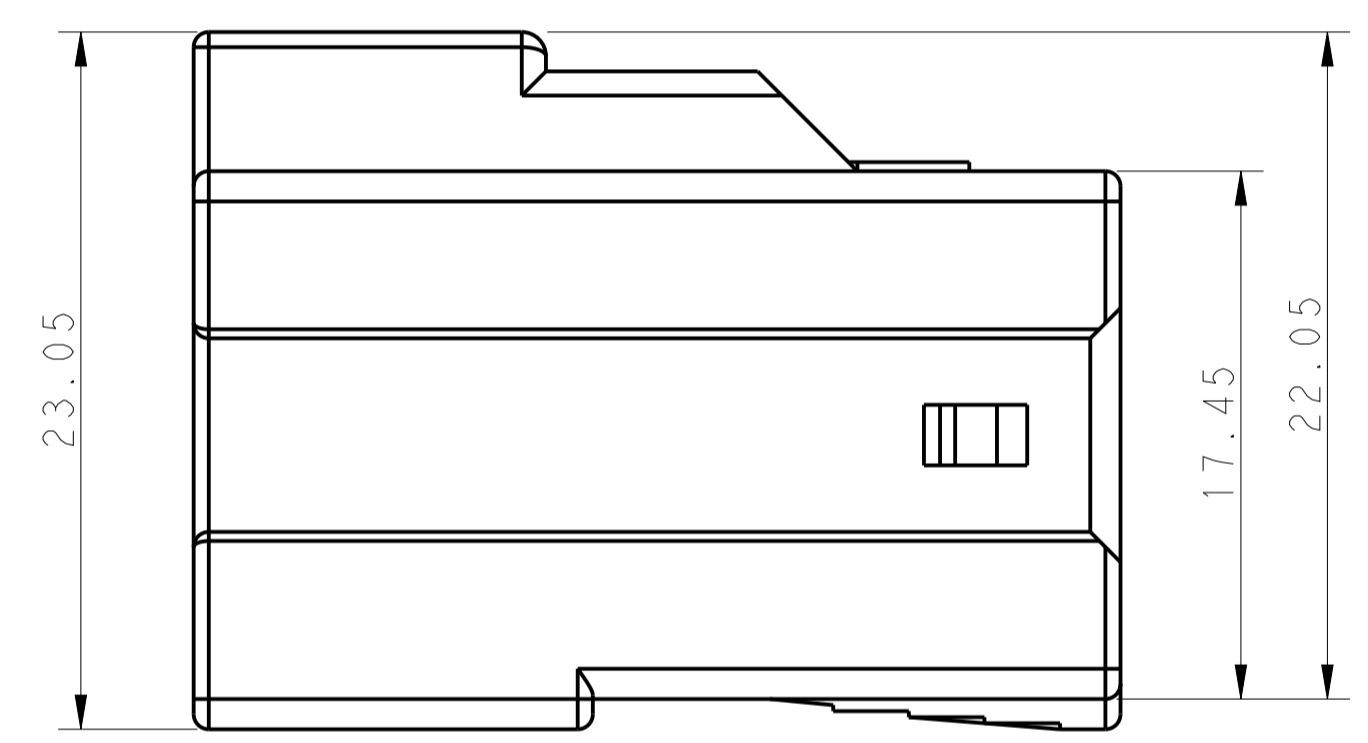
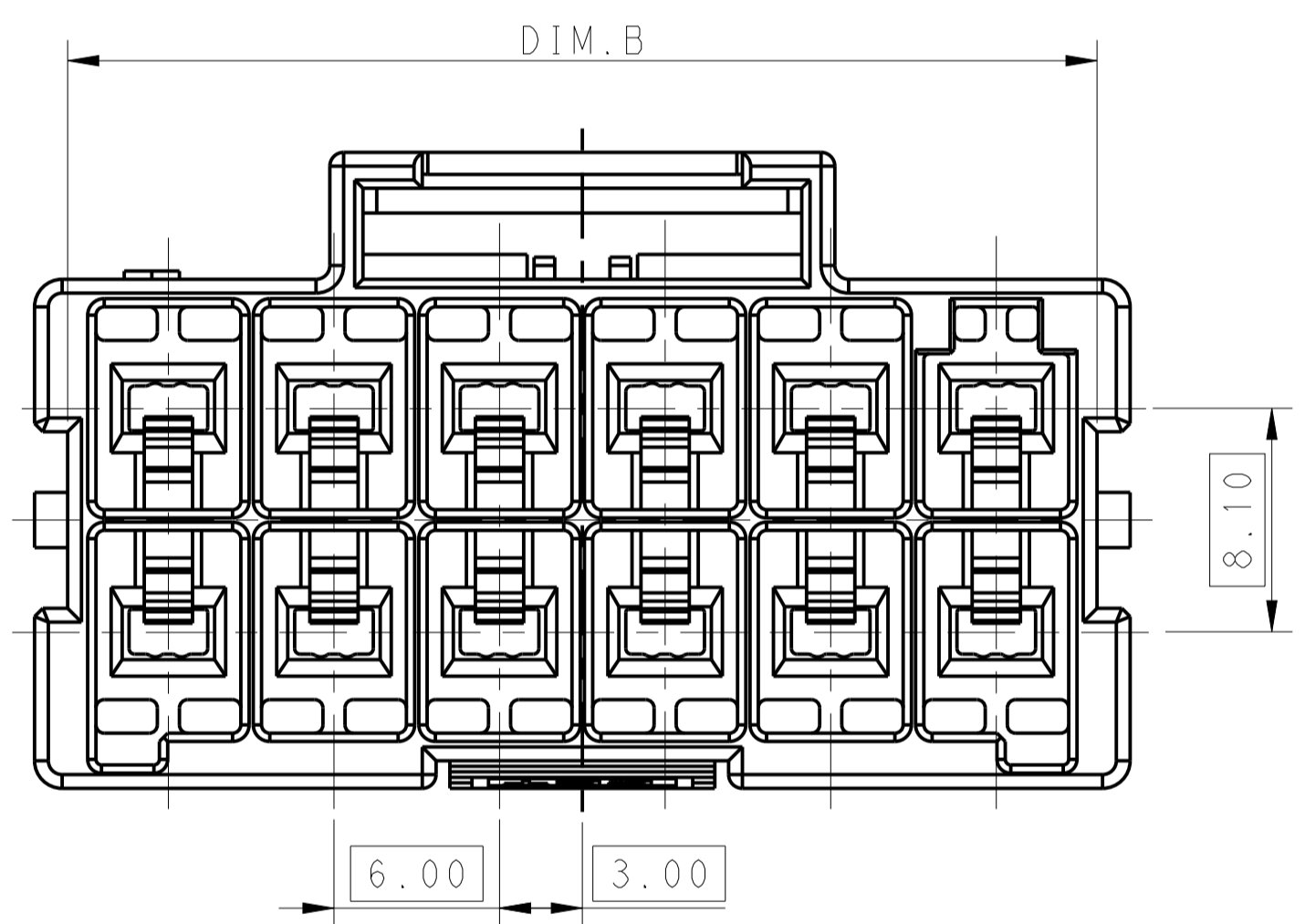


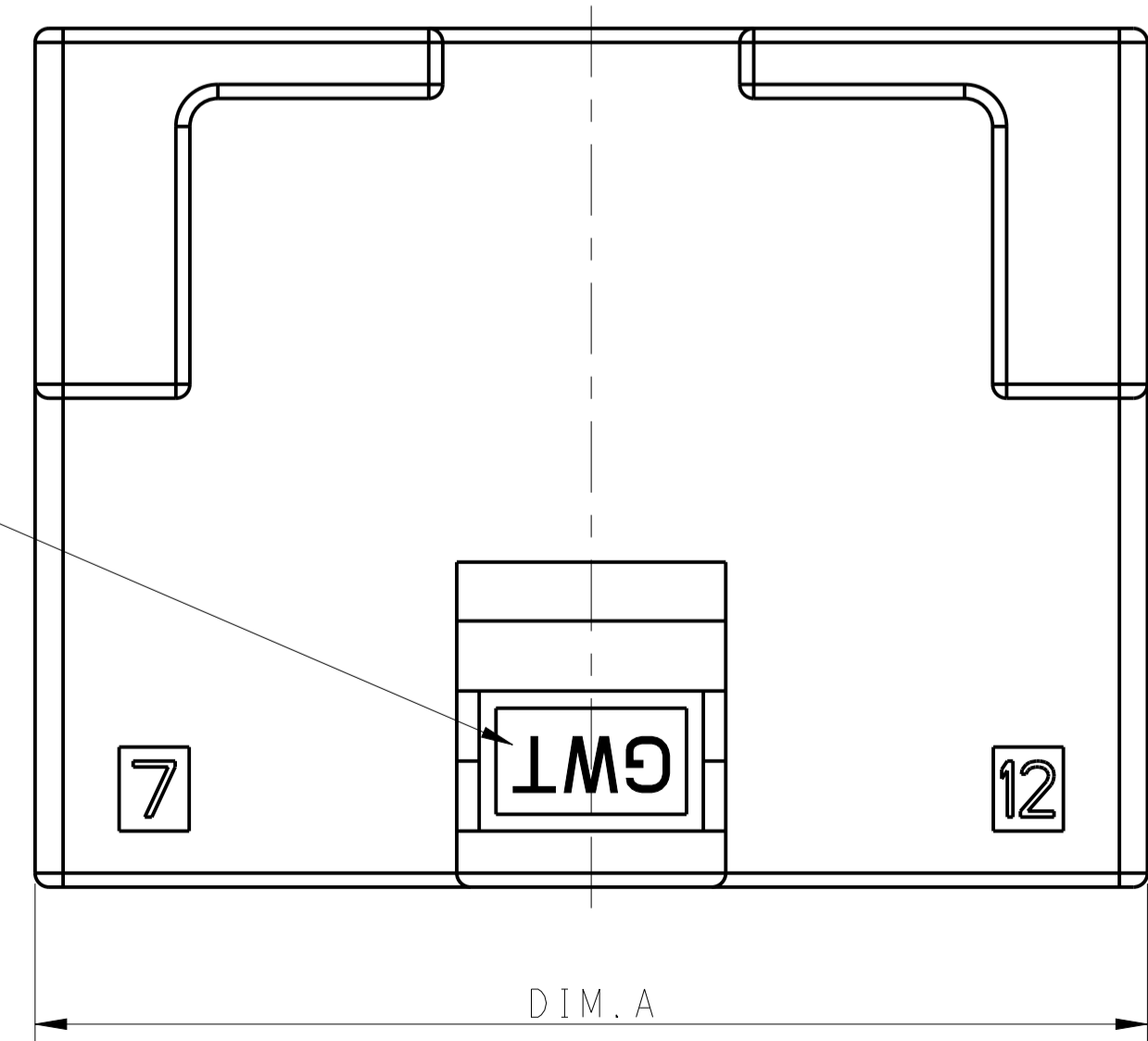
LOC		DIST		REVISIONS			
P	LTN	DESCRIPTION	DATE	DWN	APVD		
A1		REVISED PER ECR-14-003492	11MAR2014	NK	GJ		



POS.	DIM. A	DIM. B
2*6	39.70	37.30
2*5	33.70	31.30
2*4	27.70	25.30
2*3	21.70	19.30



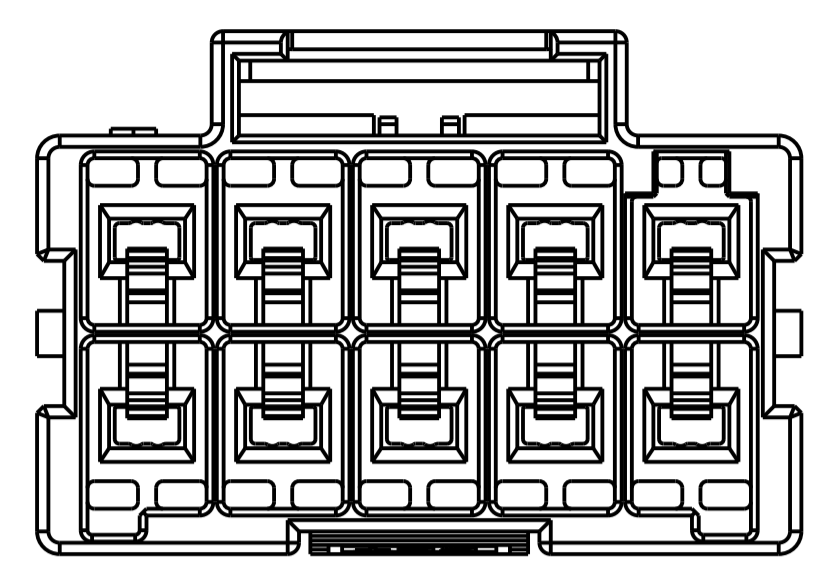
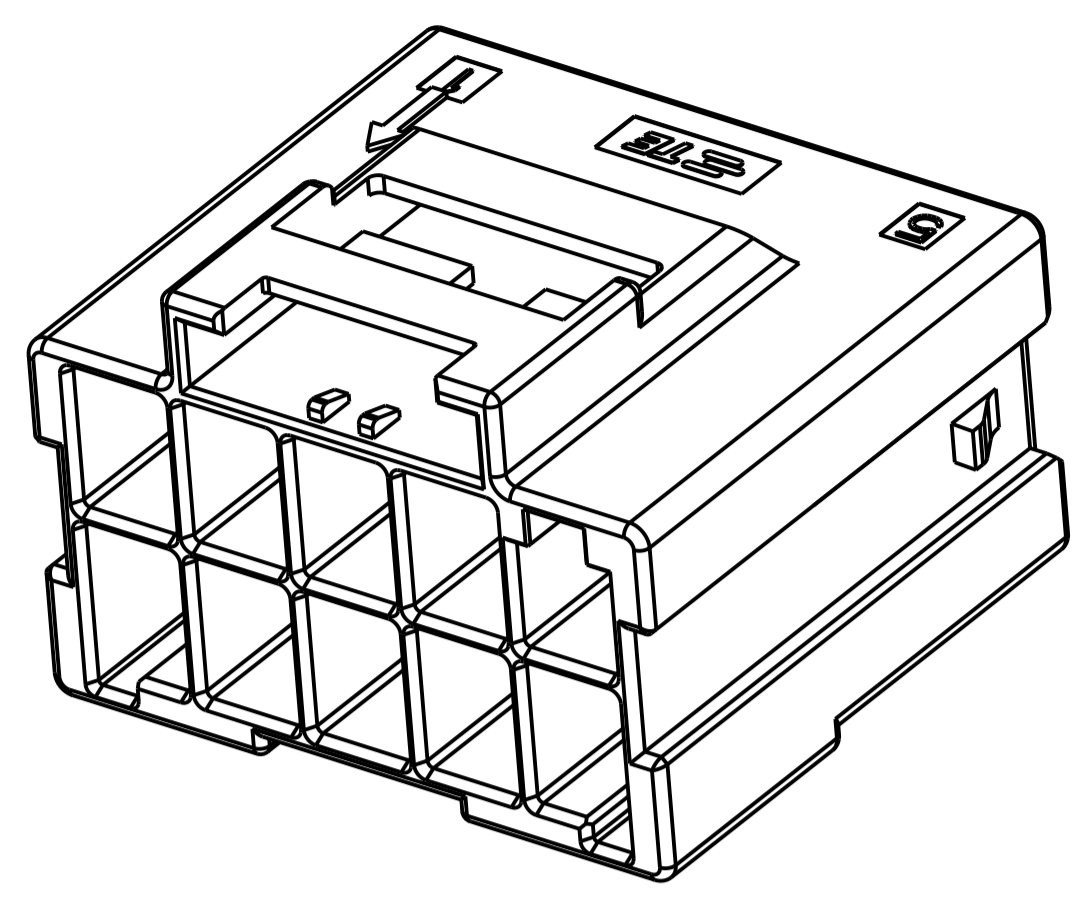
5. This product has not completed validation testing.



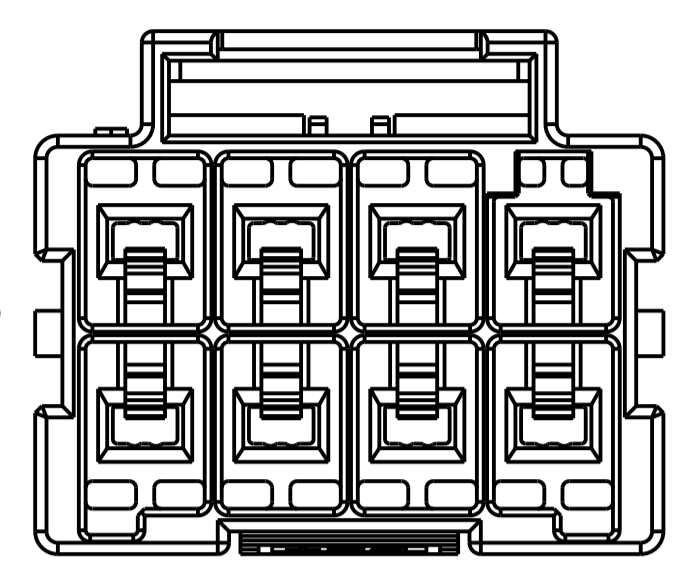
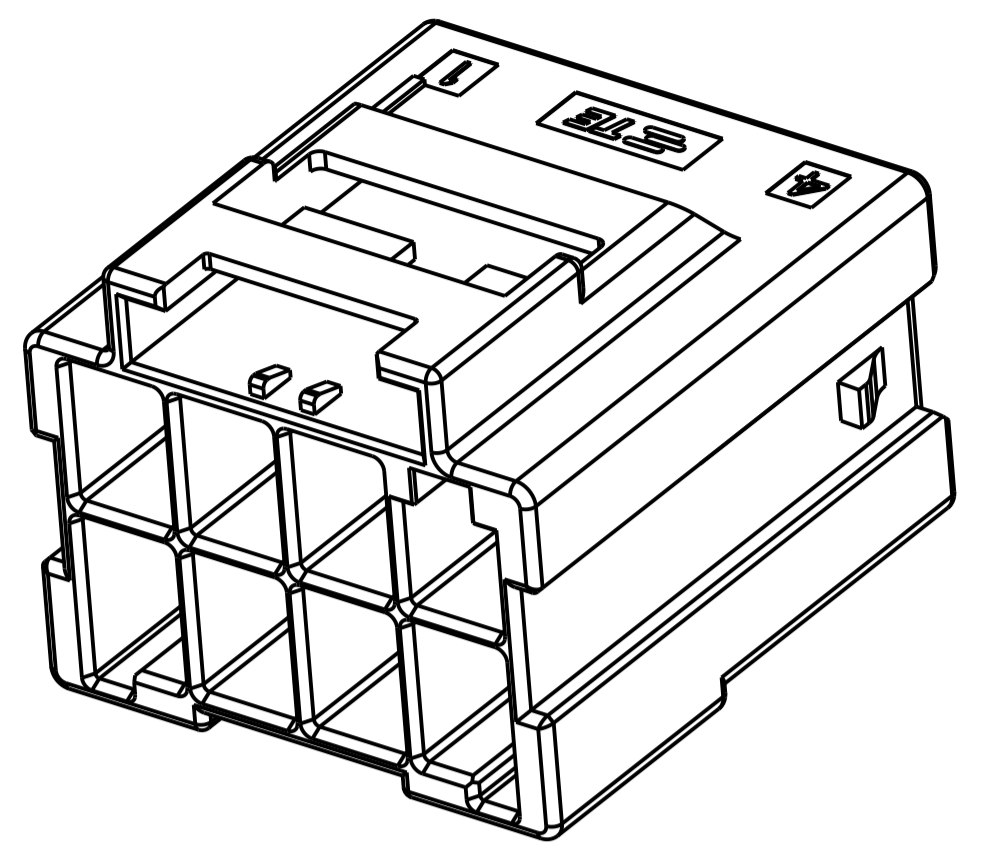
- NOTE
- MATERIAL:
 - LEVEL A: PA6, COMPLY WITH GLOW WIRE REQUIREMENTS FOR PARTS OF NON-METALLIC MATERIAL SUPPORTING A CURRENT-CARRYING CONNECTION DETAILED IN IEC 60335-1, SECTION 30 (GWT), UL 94V-0
 - LEVEL B: PBT, HOT WIRE IGNITION (HWI) VERSION ARE MOLDED IN A RESIN THAT COMPLIES WITH TE HOT WIRE IGNITION TEST 109-32026 AND ARE RECOMMENDED FOR USE WITH HWI HOUSINGS THAT ALSO COMPLY, UL 94V-0
 - MATERIAL MARK:
 - LEVEL A:GWT,LEVEL B:HWT
 - APPLICABLE CONTACT P/N
 TAB CONTACT:1971238/1971780/82/84/86/88-*
 - MATING CONN, P/N
 PLUG HSG: *-2232266-
 DOUBLE LOCK PLATE: *-1971778-*

THIS DRAWING IS A CONTROLLED DOCUMENT.		DWN: TOMMY WU 26MAR2013	TE Connectivity
DIMENSIONS: mm		CHK: HAPYE WU 26MAR2013	
TOLERANCES UNLESS OTHERWISE SPECIFIED:		APVD: YIHONG MAO 26MAR2013	NAME: CAP HOUSING, FREE HANGING, DOUBLE ROW POWER TRIPLE LOCK
0 PLC ±	1 PLC ±0.35	PRODUCT SPEC	SIZE: CAGE CODE DRAWING NO
2 PLC ±0.25	3 PLC ±	108-106118	RESTRICTED TO
4 PLC ±	ANGLES ±	APPLICATION SPEC	A1 00779C=2232359
MATERIAL	FINISH	114-106118	SCALE
		WEIGHT	SHEET 1 OF 2 REV A1
		Customer Drawing	

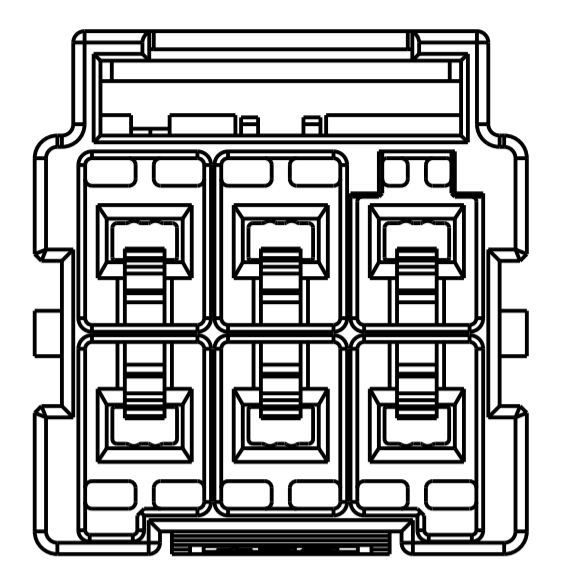
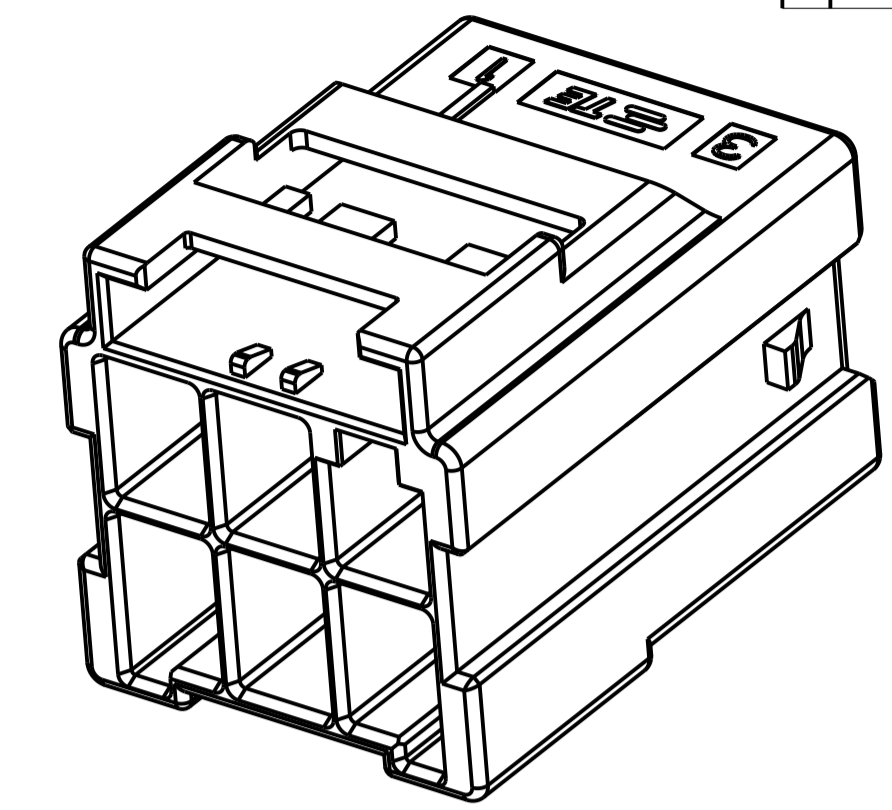
LOC		DIST		REVISIONS			
P	LTN	DESCRIPTION	DATE	DNW	APVD		
-	-	SEE SHEET 1	-	-	-		



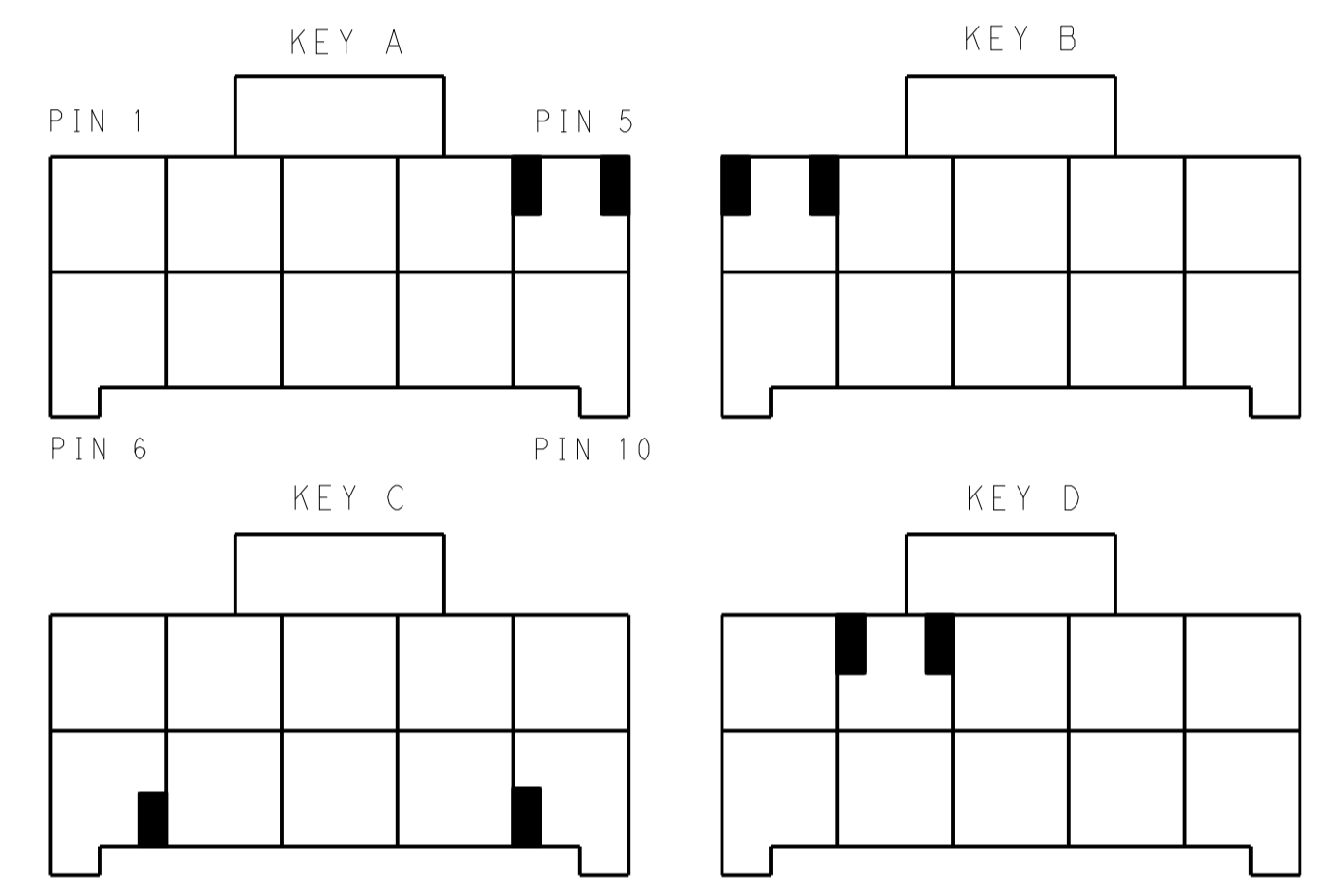
2*5 POSITIONS



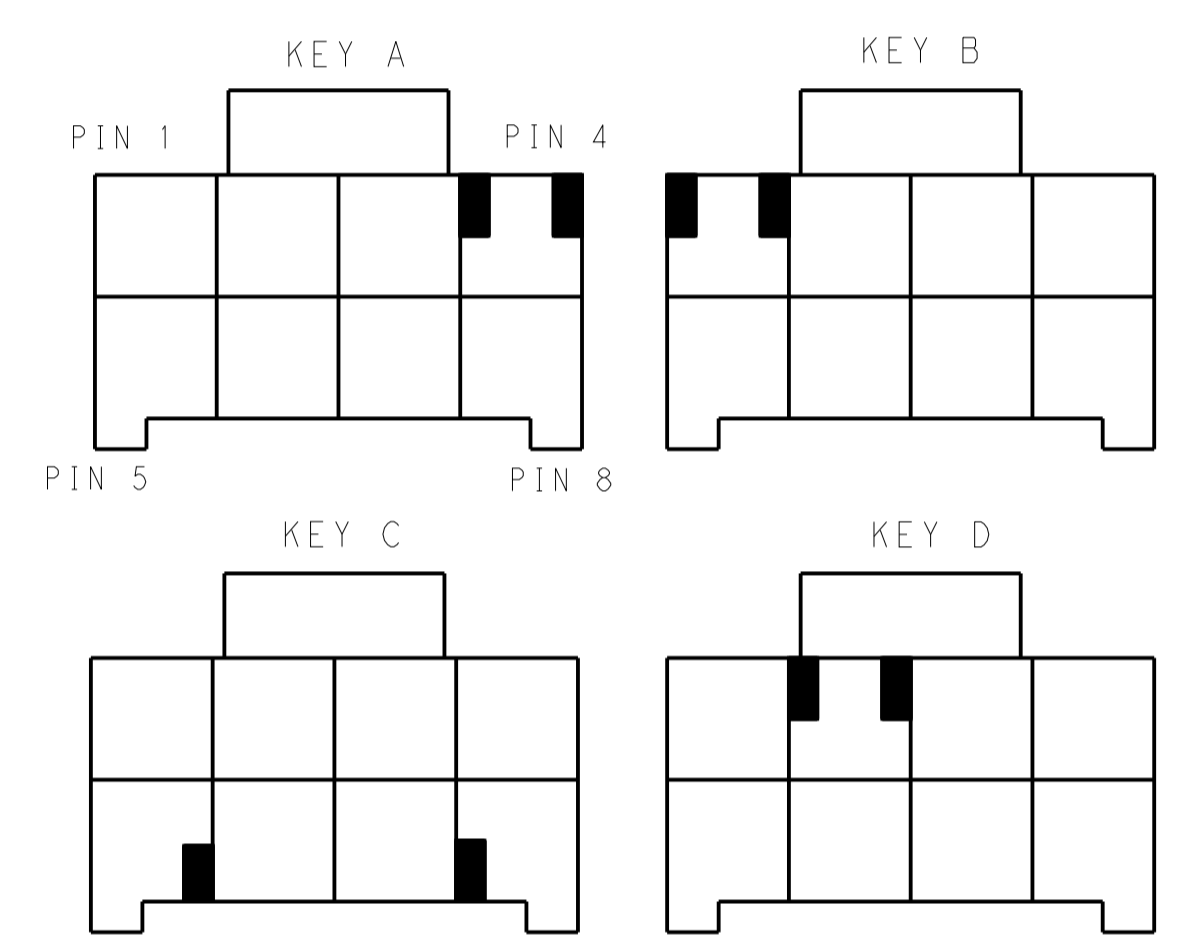
2*4 POSITIONS



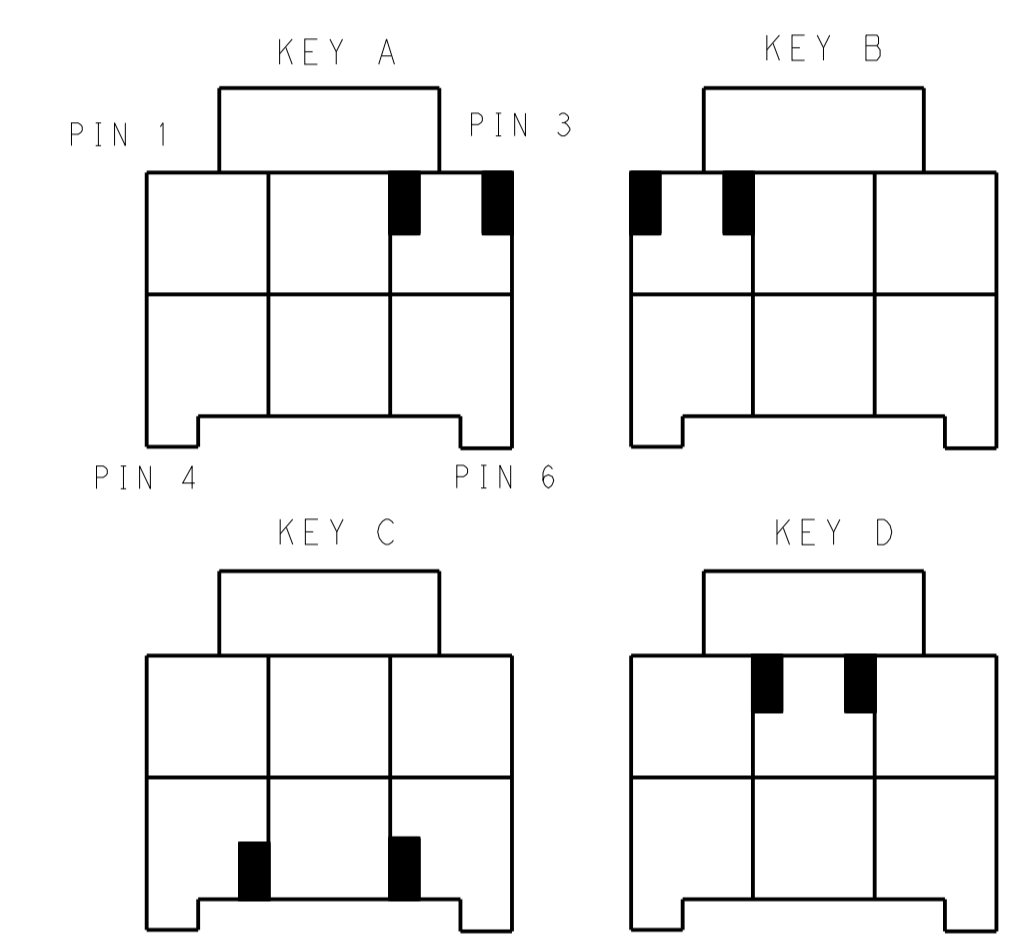
2*3 POSITIONS



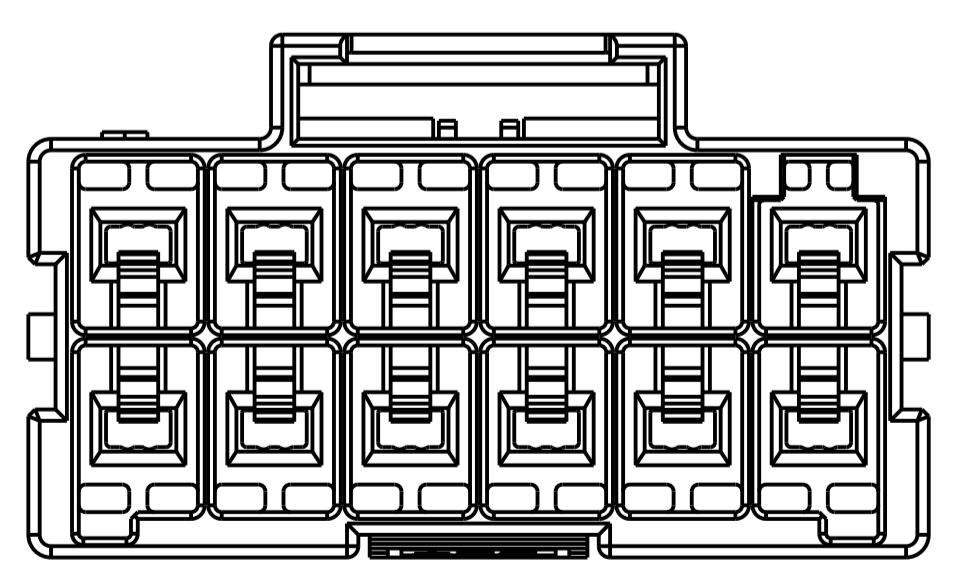
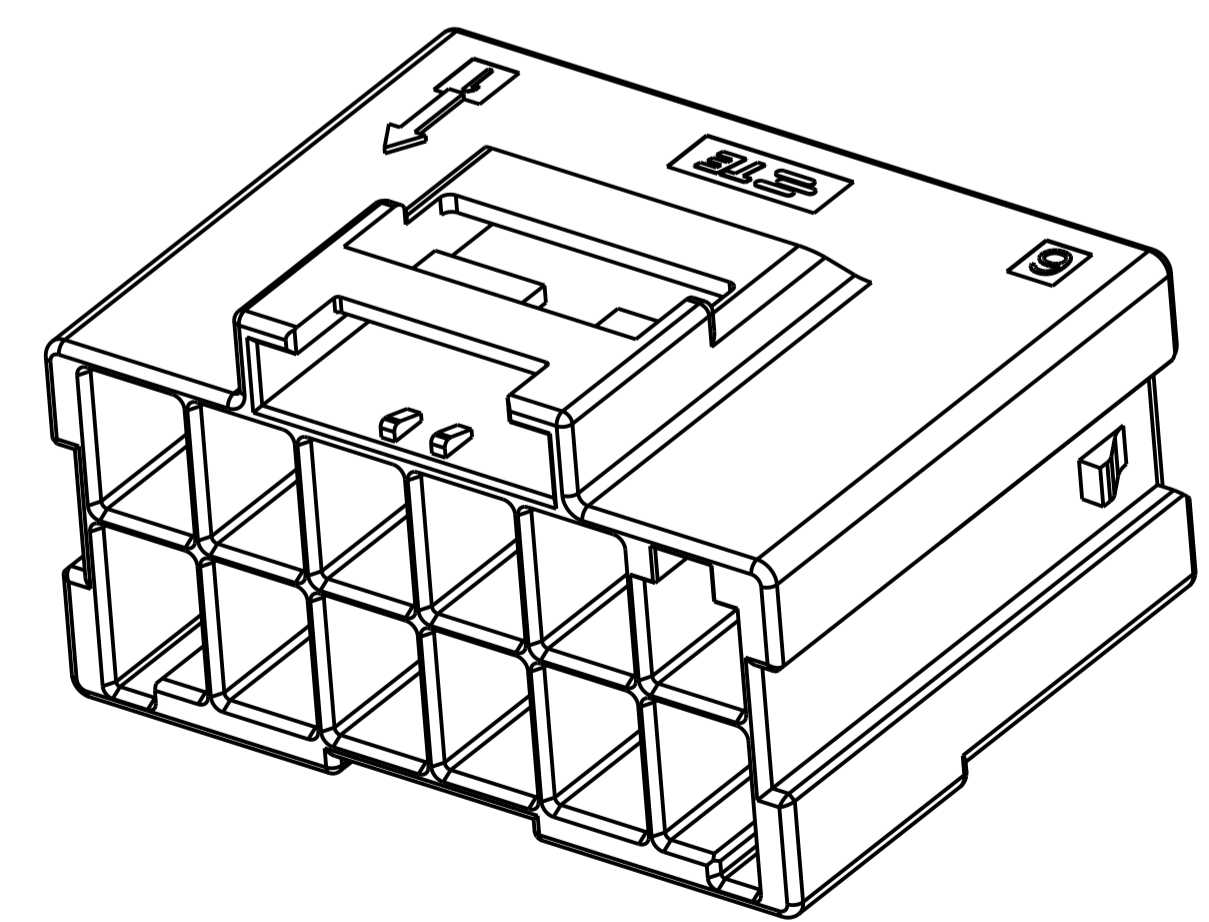
KEYING FOR 2*5 POS.



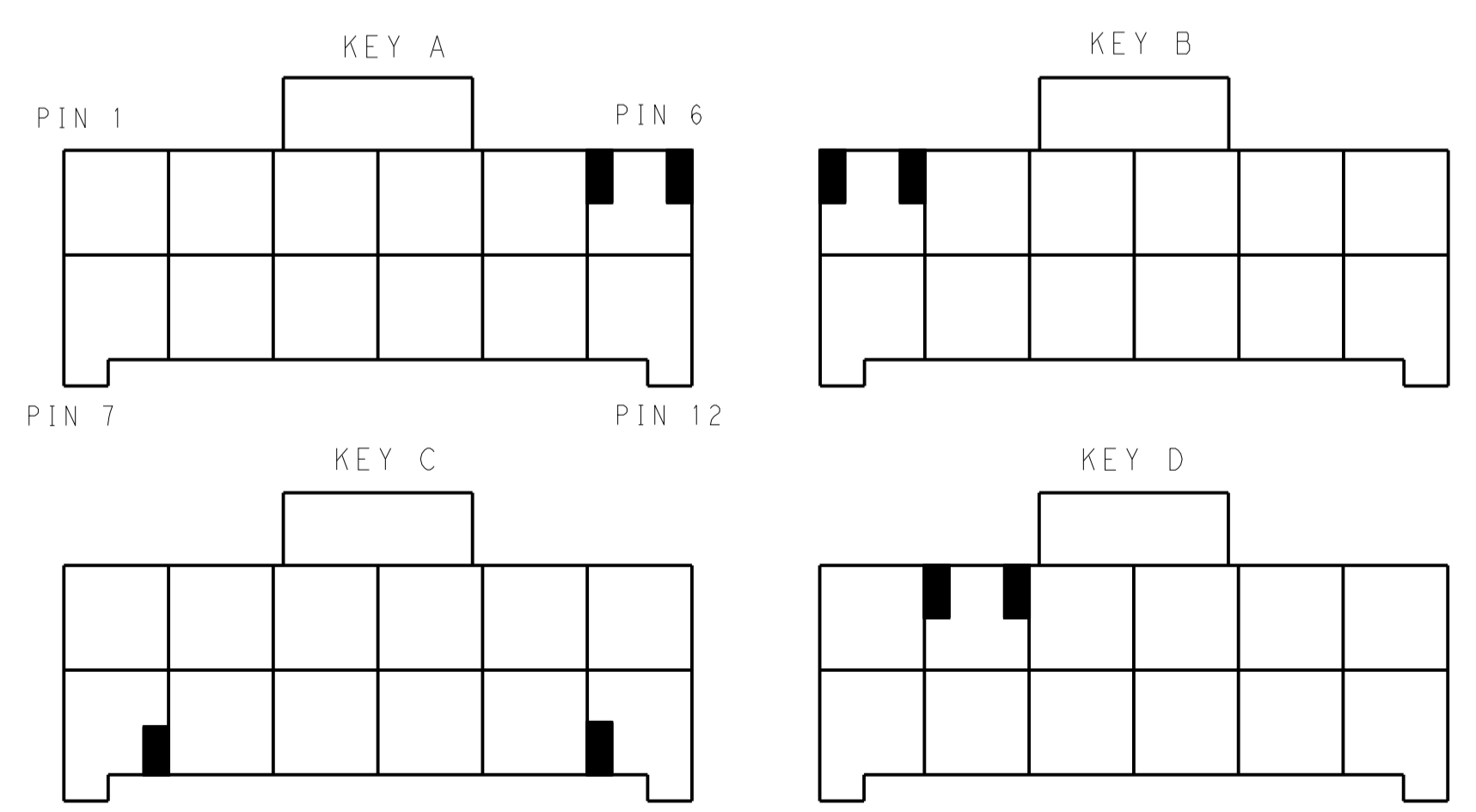
KEYING FOR 2*4 POS.



KEYING FOR 2*3 POS.



2*6 POSITIONS



KEYING FOR 2*6 POS.

POS.	MATERIAL	COLOR	KEY	P/N	POS.	MATERIAL	COLOR	KEY	P/N
2*4	LEVEL A	DARK GREY	KEY A	5-2232359-4	2*6	LEVEL A	DARK GREY	KEY A	5-2232359-6
		BROWN	KEY B	6-2232359-4			BROWN	KEY B	6-2232359-6
		GREEN	KEY C	7-2232359-4			GREEN	KEY C	7-2232359-6
		ORANGE	KEY D	8-2232359-4			ORANGE	KEY D	8-2232359-6
2*3	LEVEL A	DARK GREY	KEY A	5-2232359-3	2*5	LEVEL A	DARK GREY	KEY A	5-2232359-5
		BROWN	KEY B	6-2232359-3			BROWN	KEY B	6-2232359-5
		GREEN	KEY C	7-2232359-3			GREEN	KEY C	7-2232359-5
		ORANGE	KEY D	8-2232359-3			ORANGE	KEY D	8-2232359-5

THIS DRAWING IS A CONTROLLED DOCUMENT. DWN: TOMMY WU 26MAR2013
 CHK: HAPYE WU 26MAR2013
 APVD: YIHONG MAO 26MAR2013

STE TE Connectivity

NAME: CAP HOUSING, FREE HANGING, DOUBLE ROW POWER TRIPLE LOCK

SIZE: A1 CAGE CODE: 100779 DRAWING NO: 108-106118
 SCALE: SHEET 2 OF 2 REV A1

MATERIAL: FINISH: WEIGHT: Customer Drawing