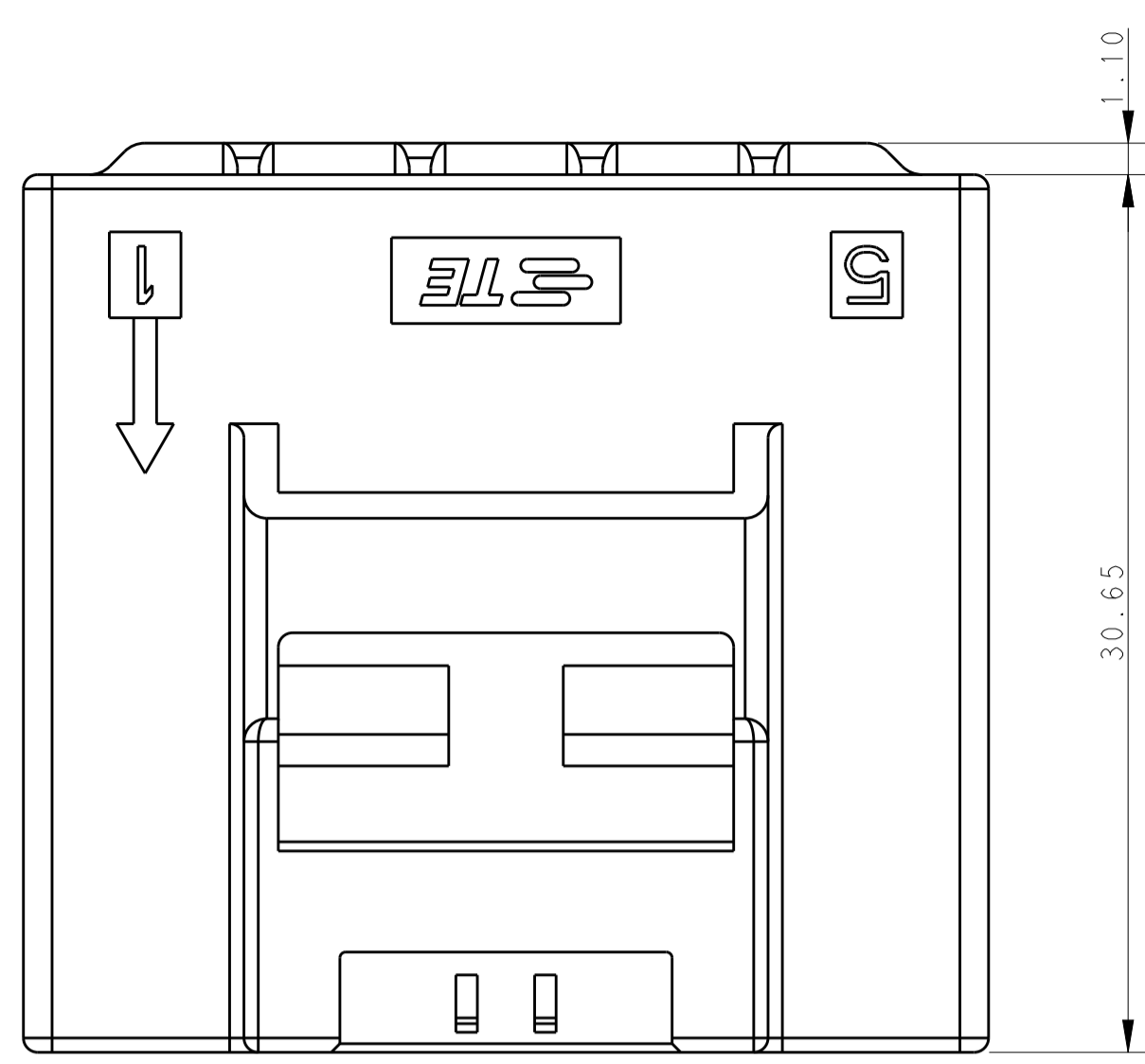
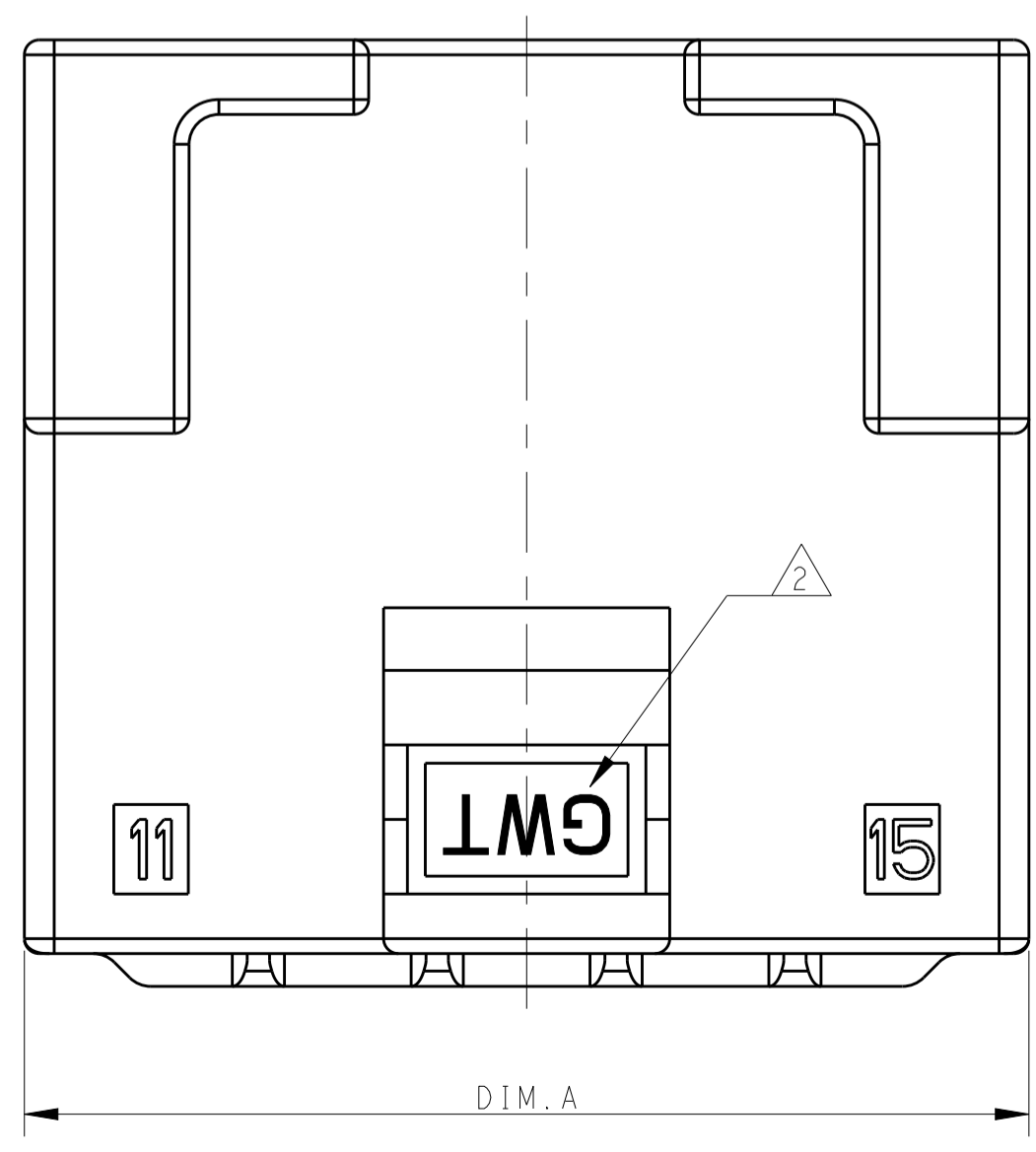
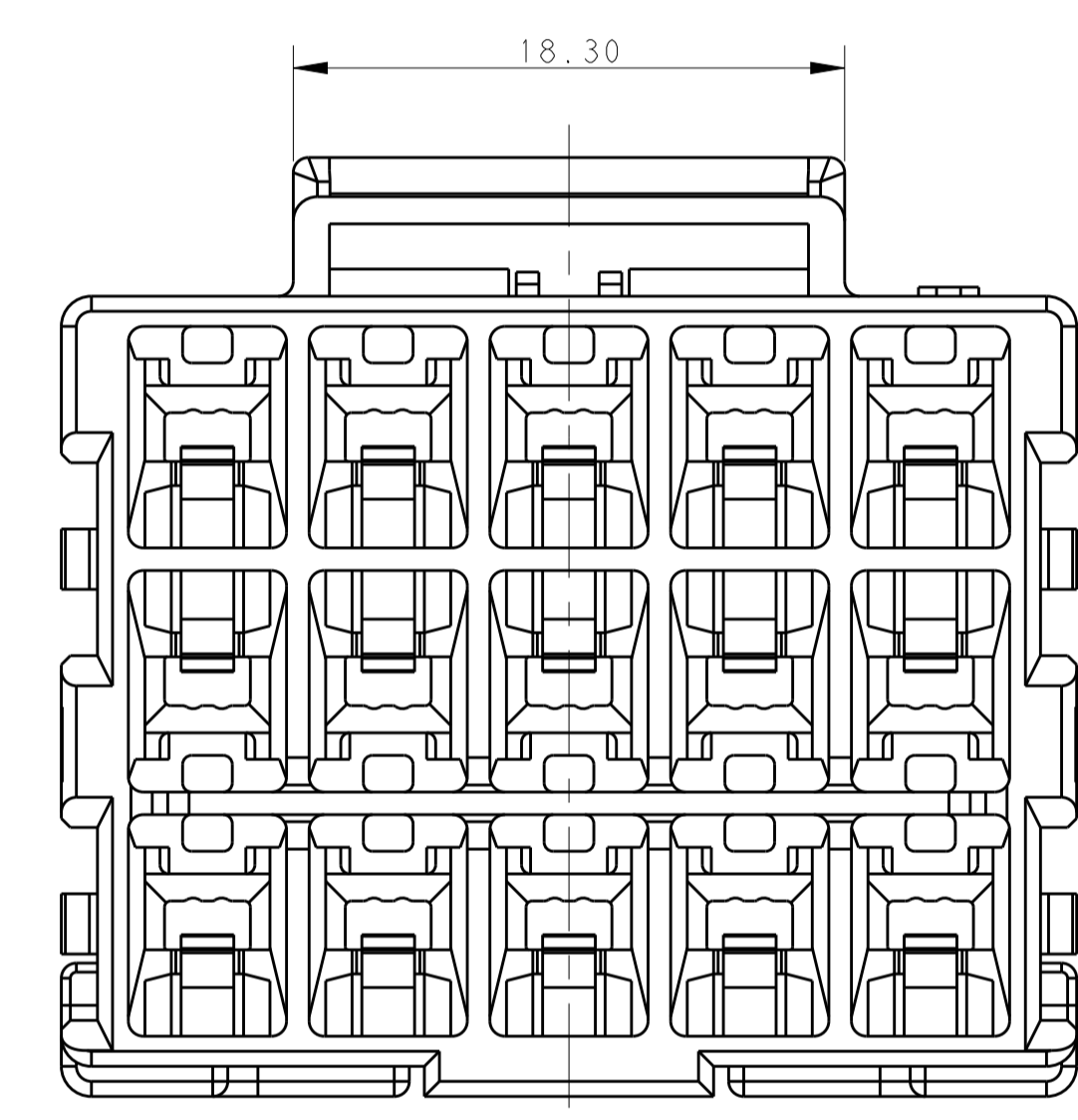
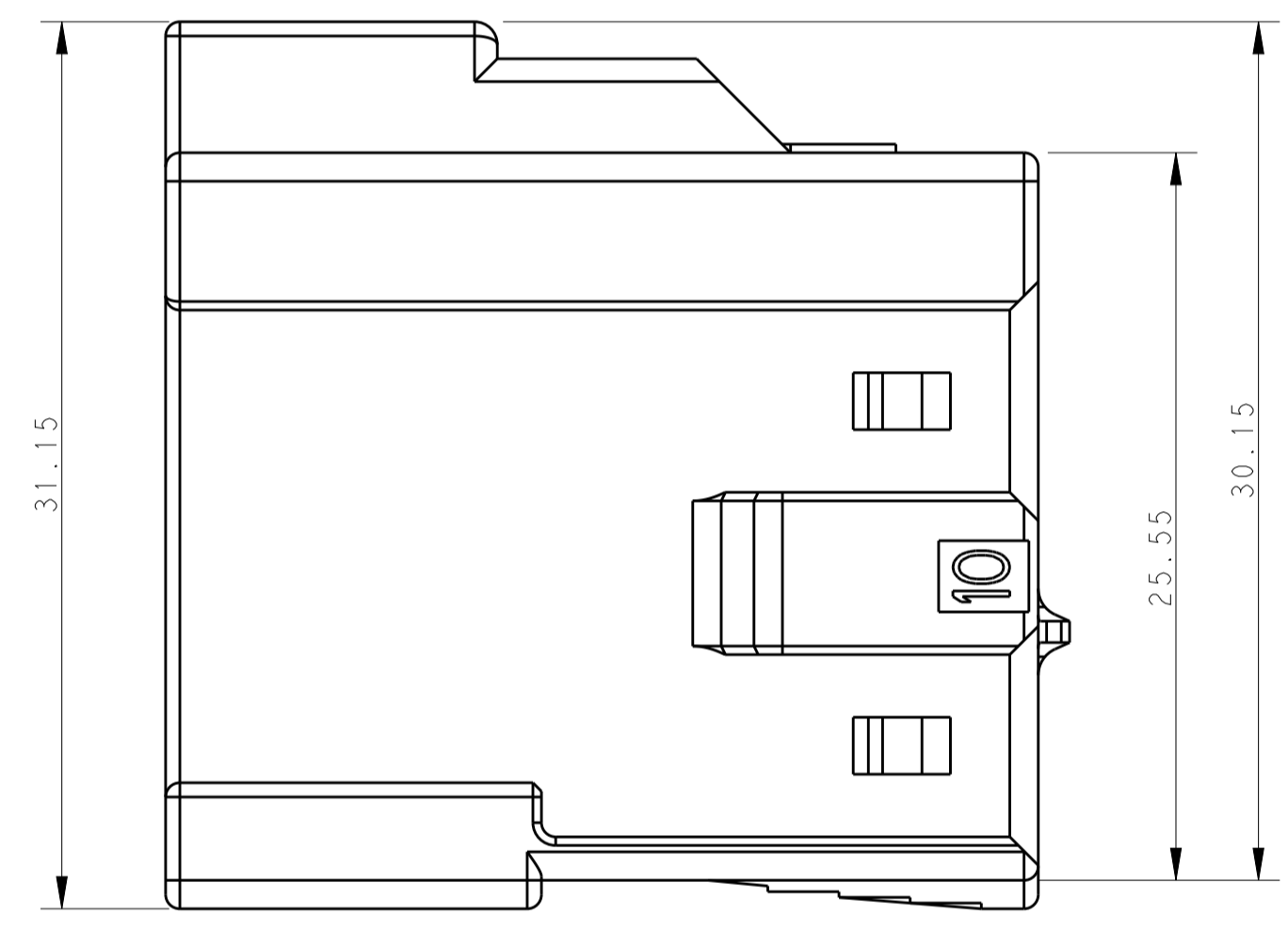
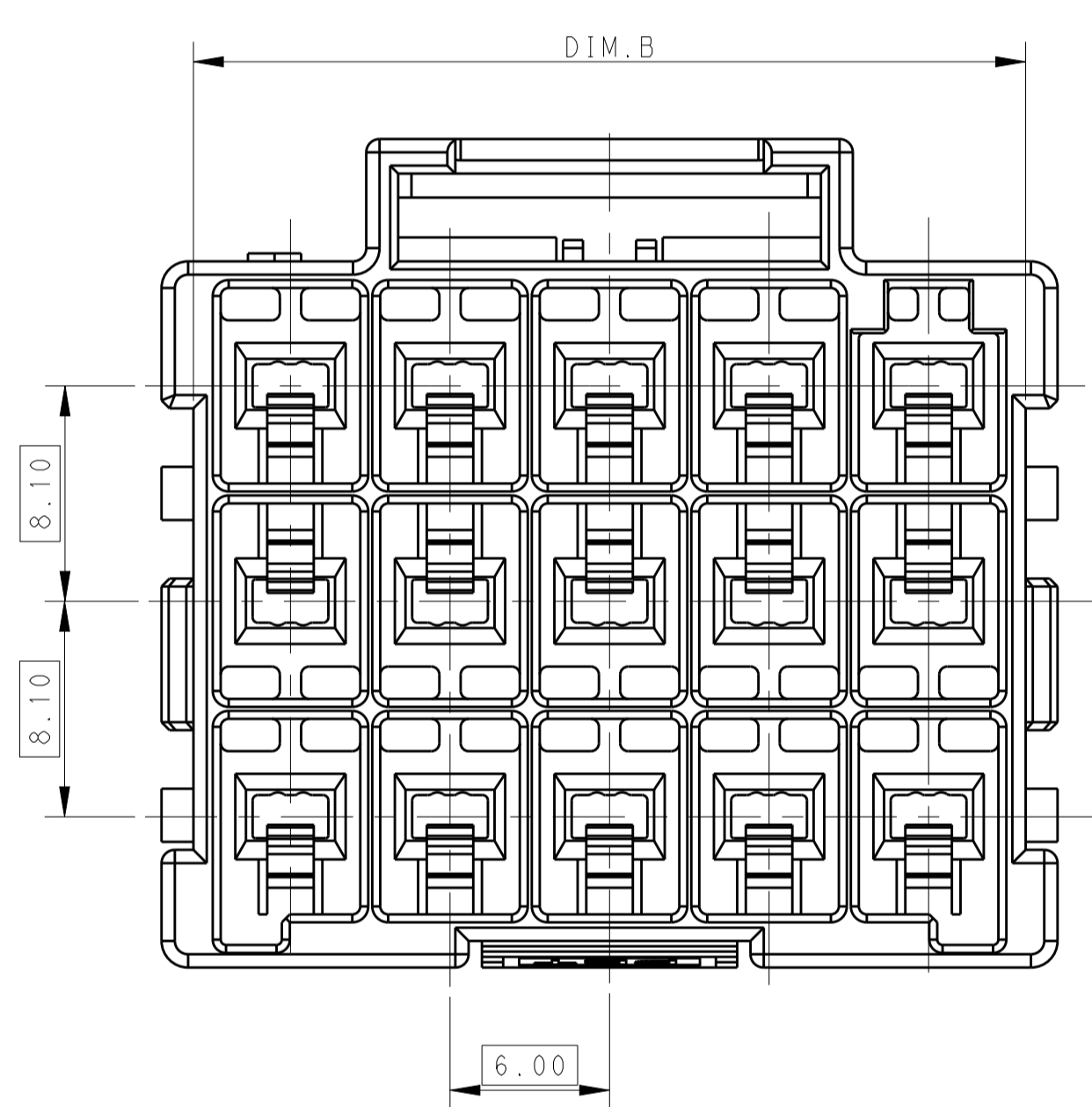


LOC		DIST		REVISIONS			
P	LTN	DESCRIPTION	DATE	DWN	APVD		
A1		REVISED PER ECR-14-002441	25FEB2014	NK	GJ		



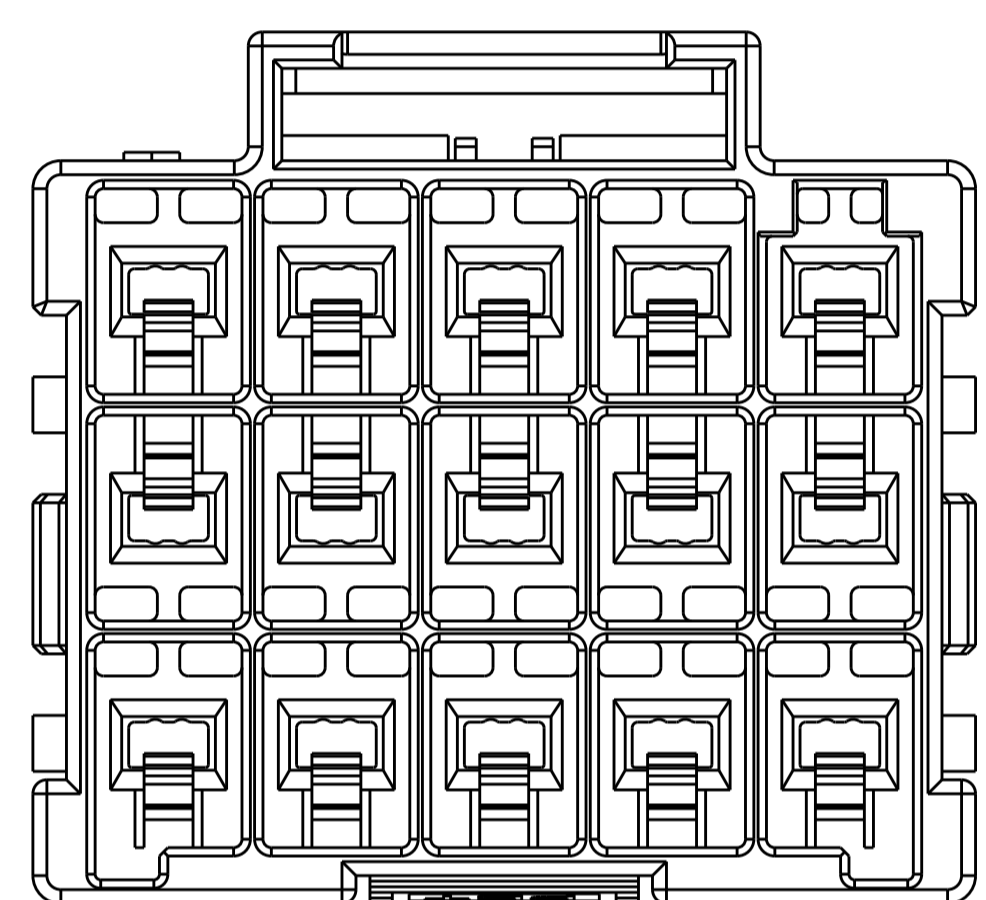
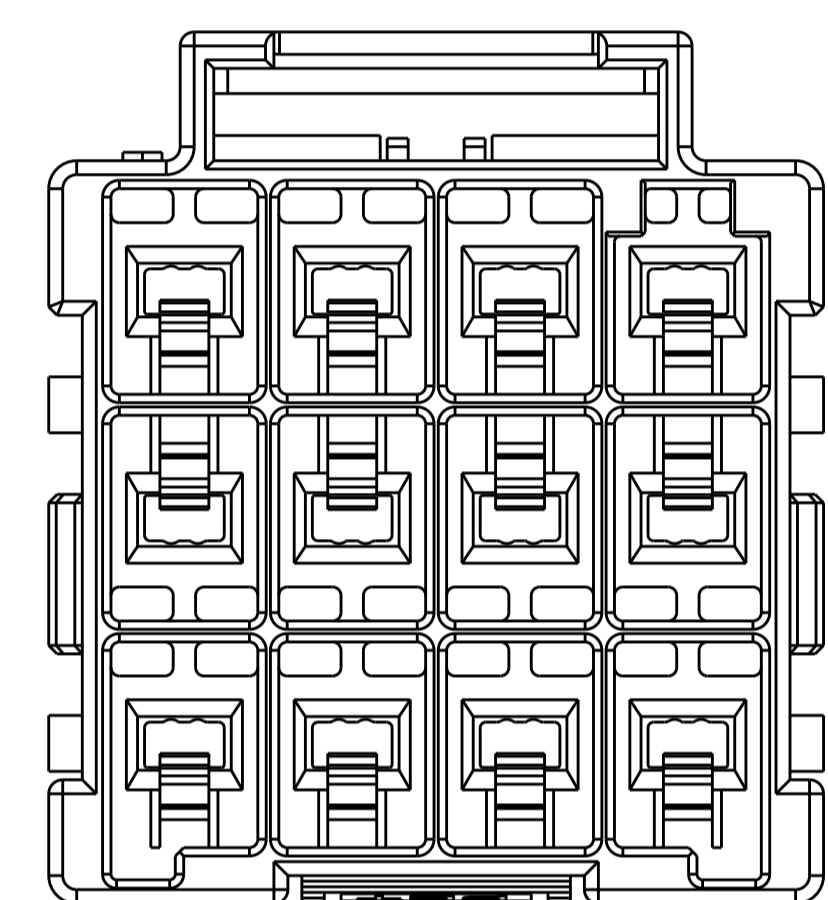
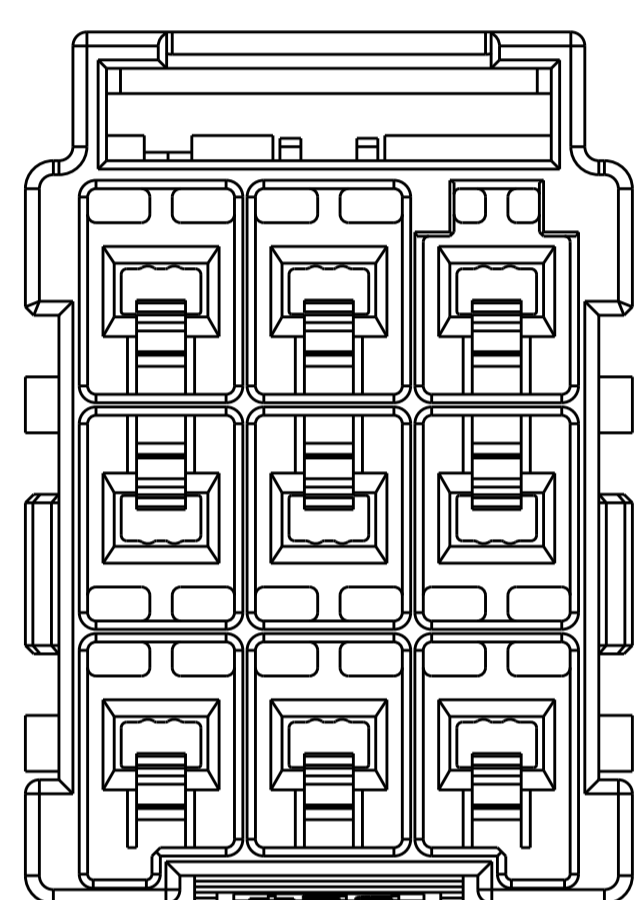
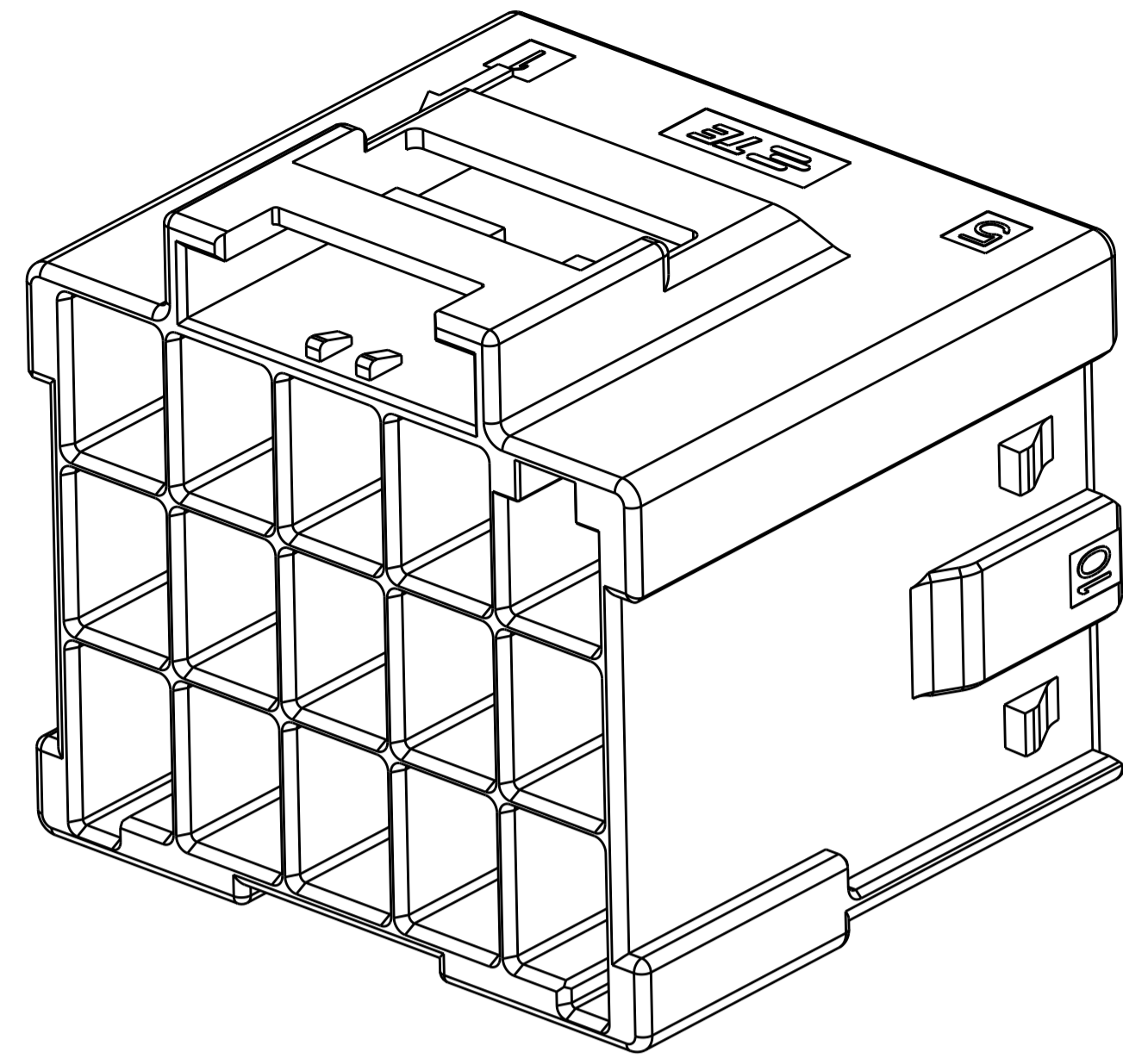
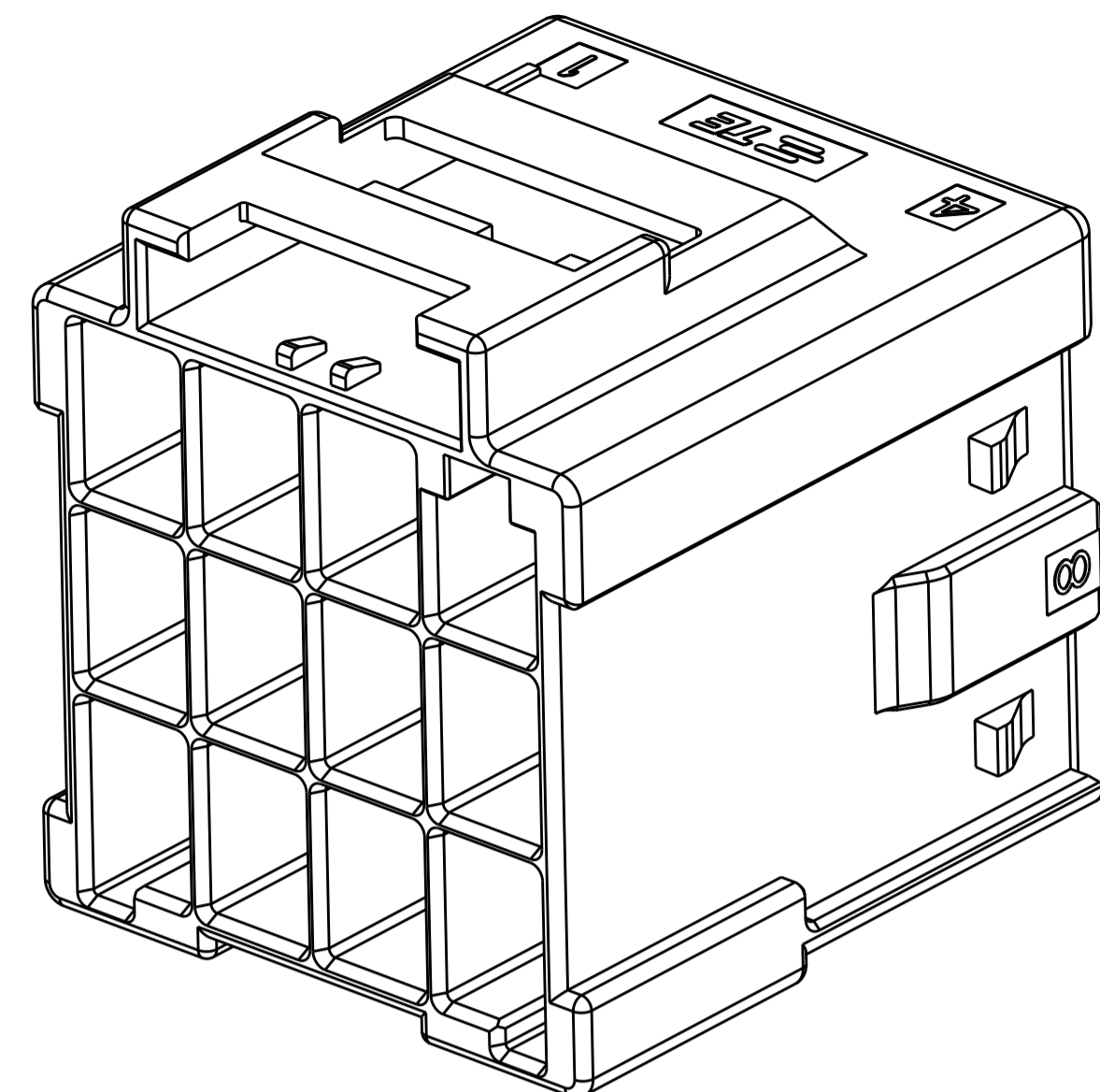
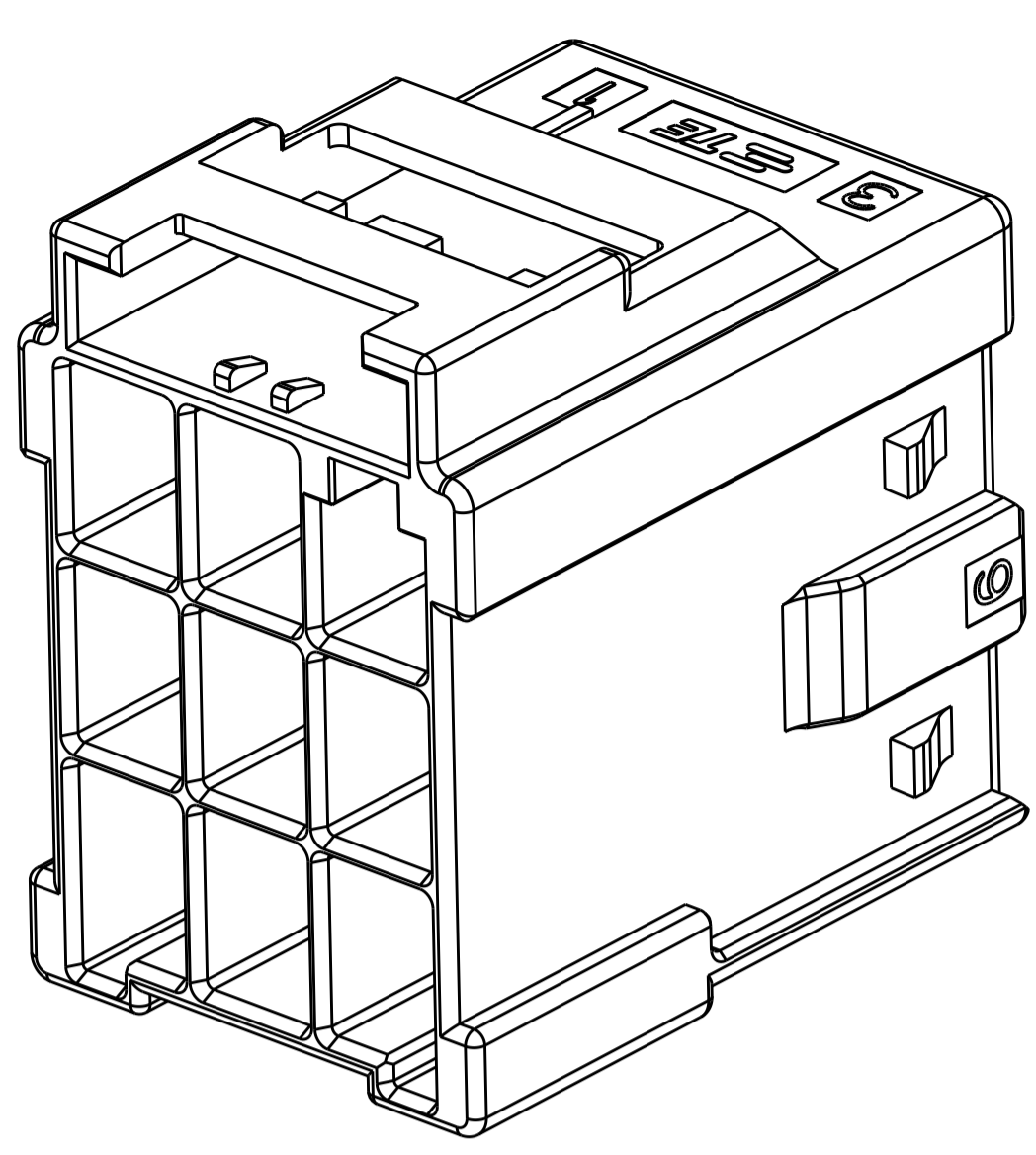
POS.	DIM. A	DIM. B
3*5	33.70	31.30
3*4	27.70	25.30
3*3	21.70	19.30



- MATERIAL:
 LEVEL A: PA6, COMPLY WITH GLOW WIRE REQUIREMENTS FOR PARTS OF NON-METALLIC MATERIAL SUPPORTING A CURRENT-CARRYING CONNECTION DETAILED IN IEC 60335-1, SECTION 30 (GWT), UL 94V-0
 LEVEL B: PBT, HOT WIRE IGNITION (HWI) VERSION ARE MOLDED IN A RESIN THAT COMPLIES WITH TE HOT WIRE IGNITION TEST 109-32026 AND ARE RECOMMENDED FOR USE WITH HWI HOUSINGS THAT ALSO COMPLY, UL 94V-0
- MATERIAL MARK:
 LEVEL A: GWT, LEVEL B: HWT
- APPLICABLE CONTACT P/N
 TAB CONTACT: 1971238/1971780/82/84/86/88-*
- MATING CONN. P/N
 PLUG HSG: *-2232357-*,
 DOUBLE ROW LOCK PLATE: *-1971778-*, SINGLE ROW LOCK PLATE: *-1971777-*
- PRELIMINARY - NOT FOR PRODUCTION.
- THIS PRODUCT HAS NOT COMPLETED VALIDATION TESTING.

THIS DRAWING IS A CONTROLLED DOCUMENT.		DWN: TOMMY WU 26MAR2013	TE Connectivity
DIMENSIONS: mm		CHK: HAPYE WU 26MAR2013	
TOLERANCES UNLESS OTHERWISE SPECIFIED:		APVD: YUHONG MAO 26MAR2013	NAME: CAP HOUSING, FREE HANGING, TRIPLE ROW POWER TRIPLE LOCK
0 PLC ±		PRODUCT SPEC: 108-106118	
1 PLC ±0.35		APPLICATION SPEC: 114-106118	SIZE: A1 CAGE CODE: 00779 DRAWING NO: 2232360
2 PLC ±0.25		WEIGHT: -	
3 PLC ±		FINISH: -	SCALE: - SHEET 1 OF 2 REV A1
4 PLC ±		MATERIAL: -	
ANGLES ±		Customer Drawing	

LOC		DIST		REVISIONS			
P	LTN	DESCRIPTION	DATE	OWN	APVD		
-SEE SHEET 1-							

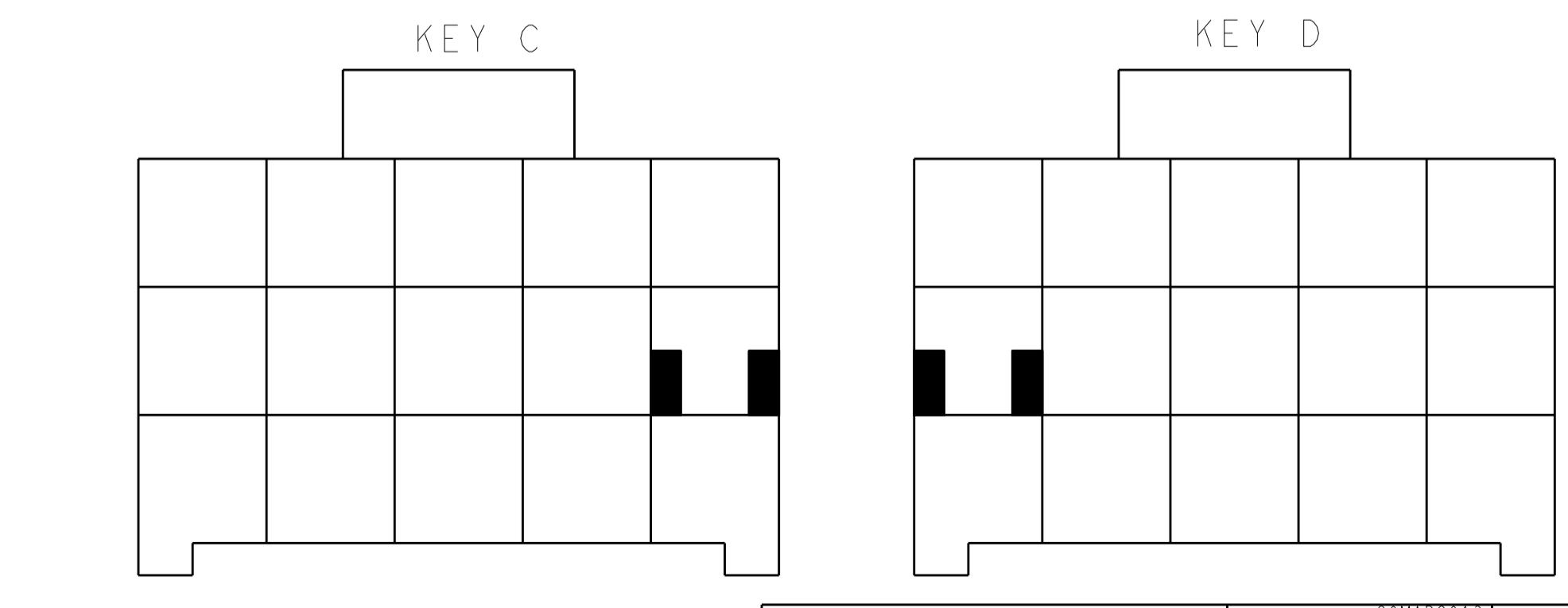
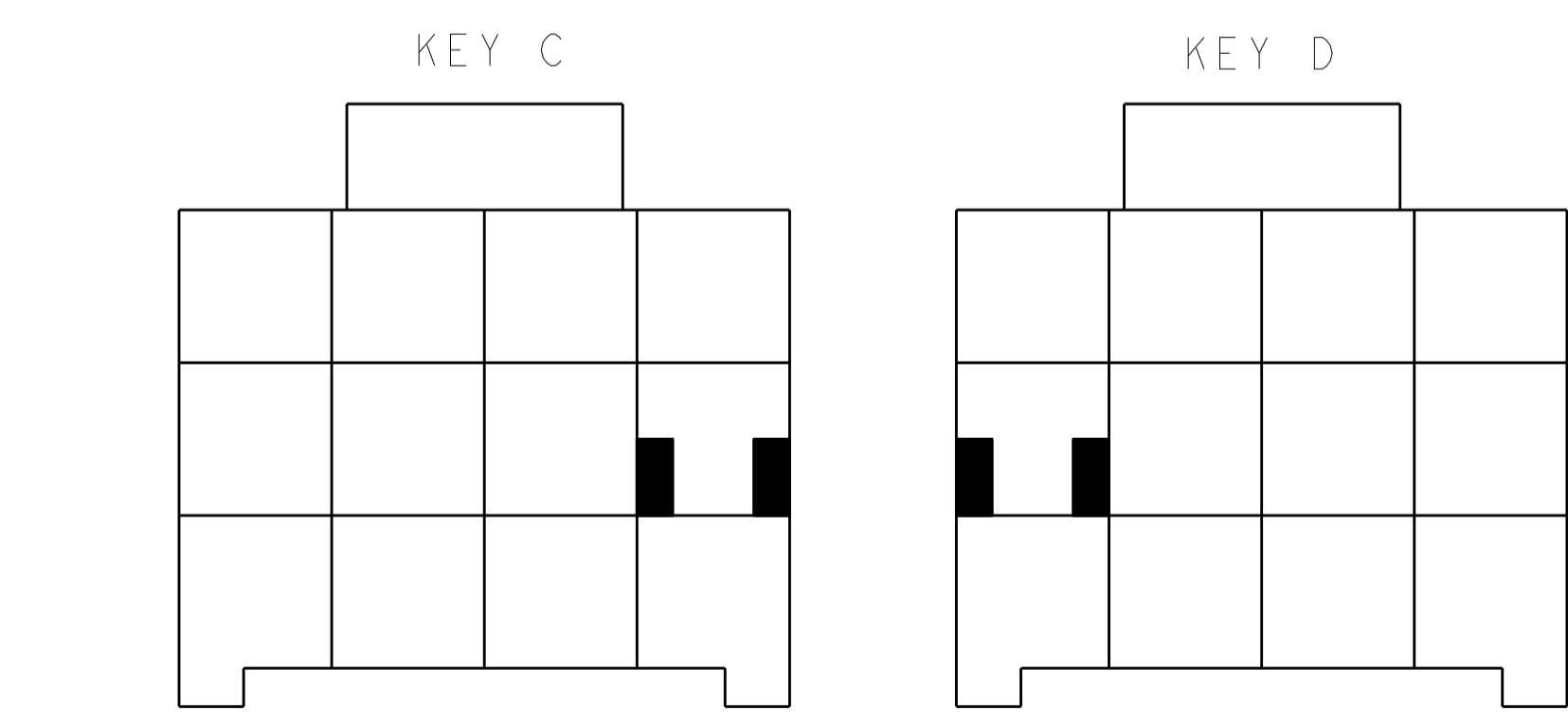
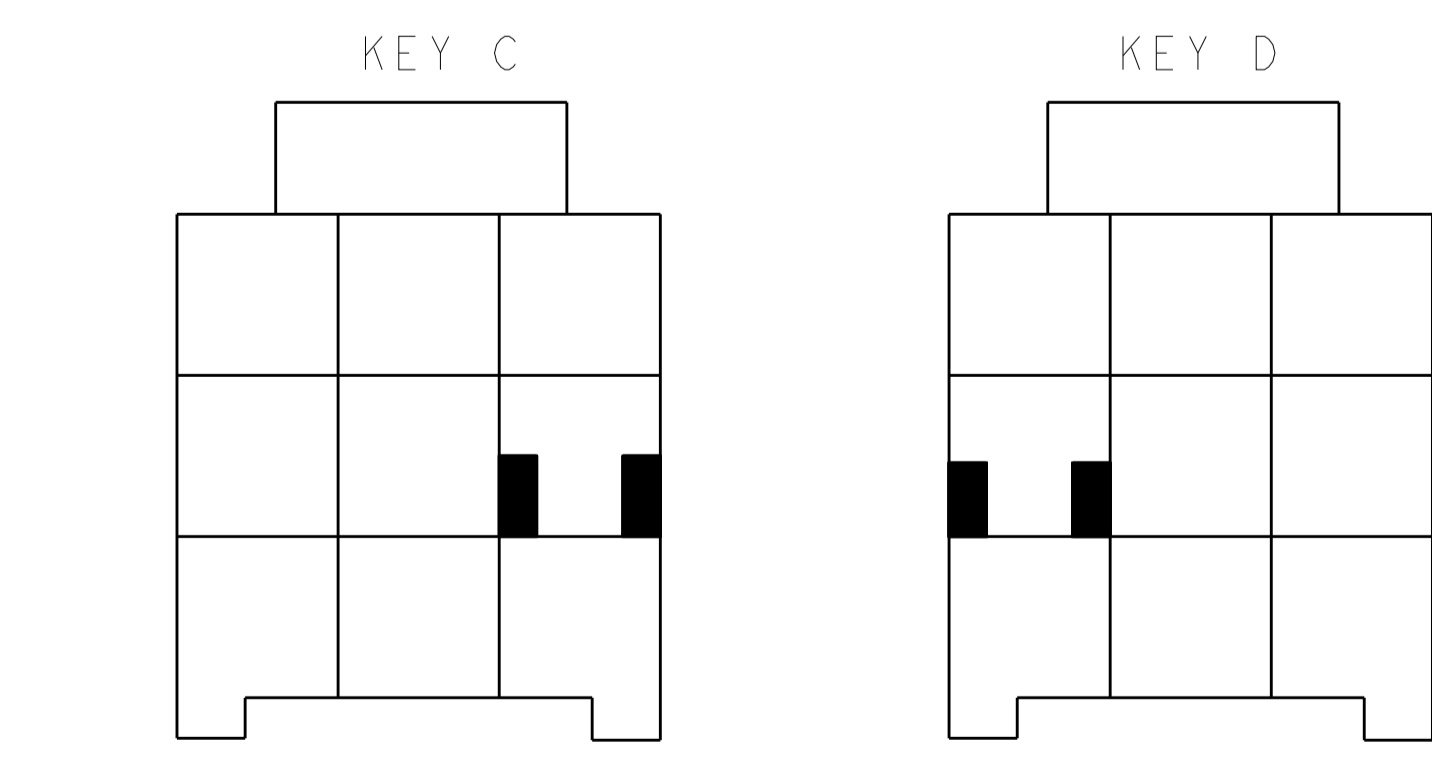
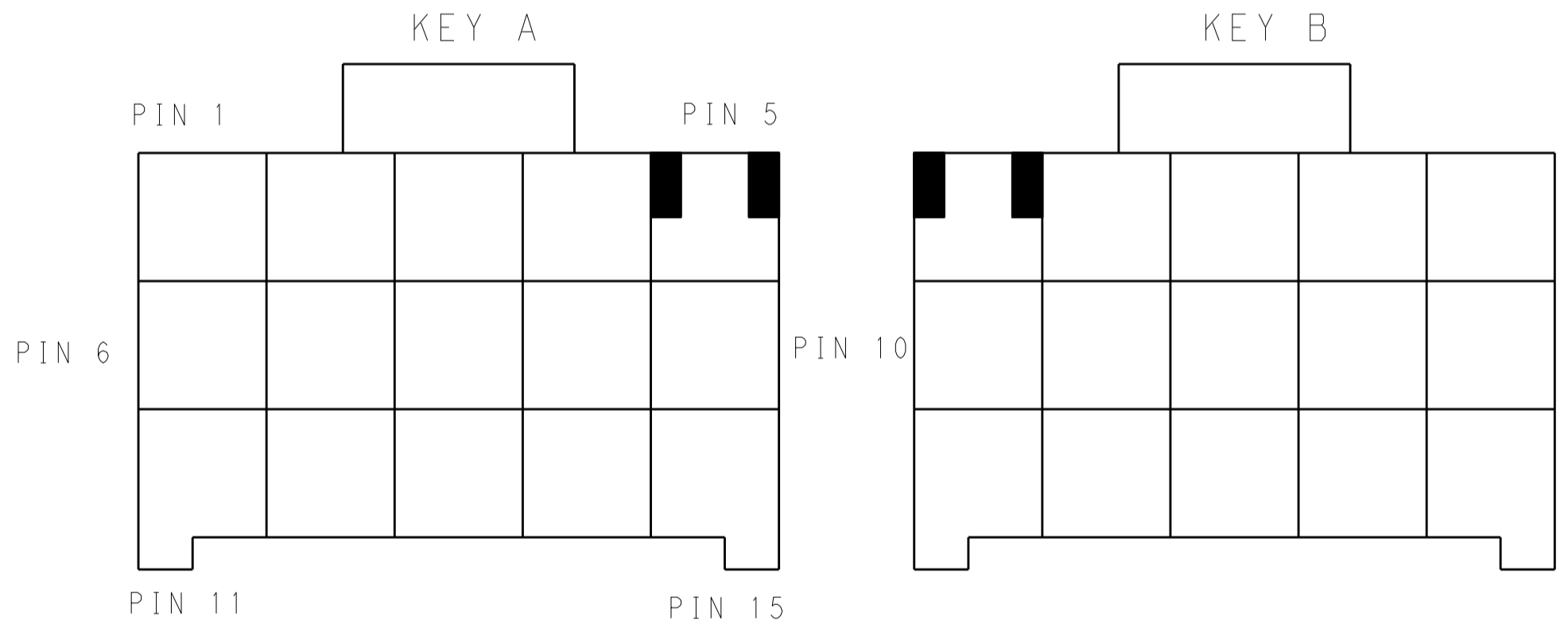
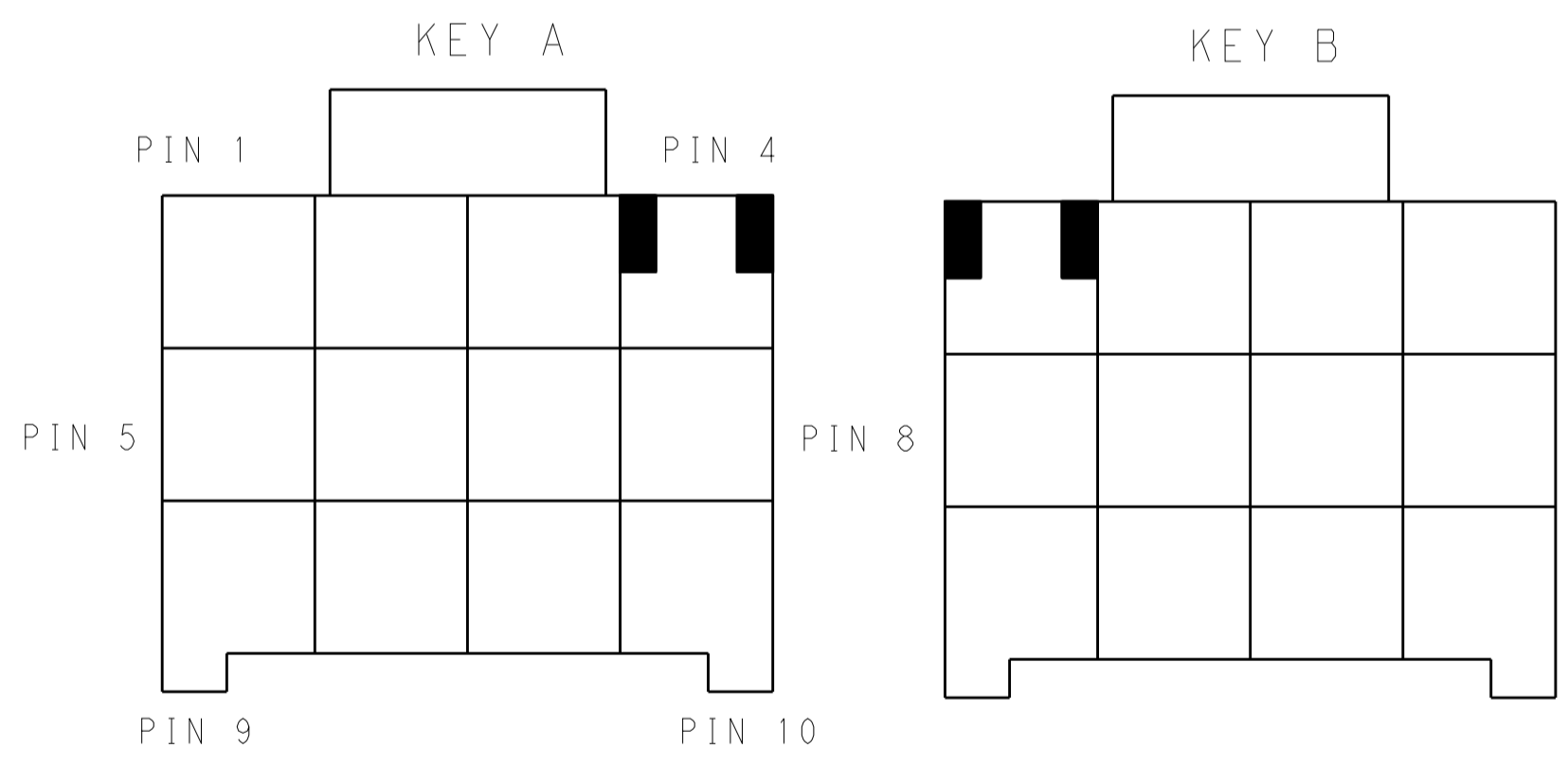
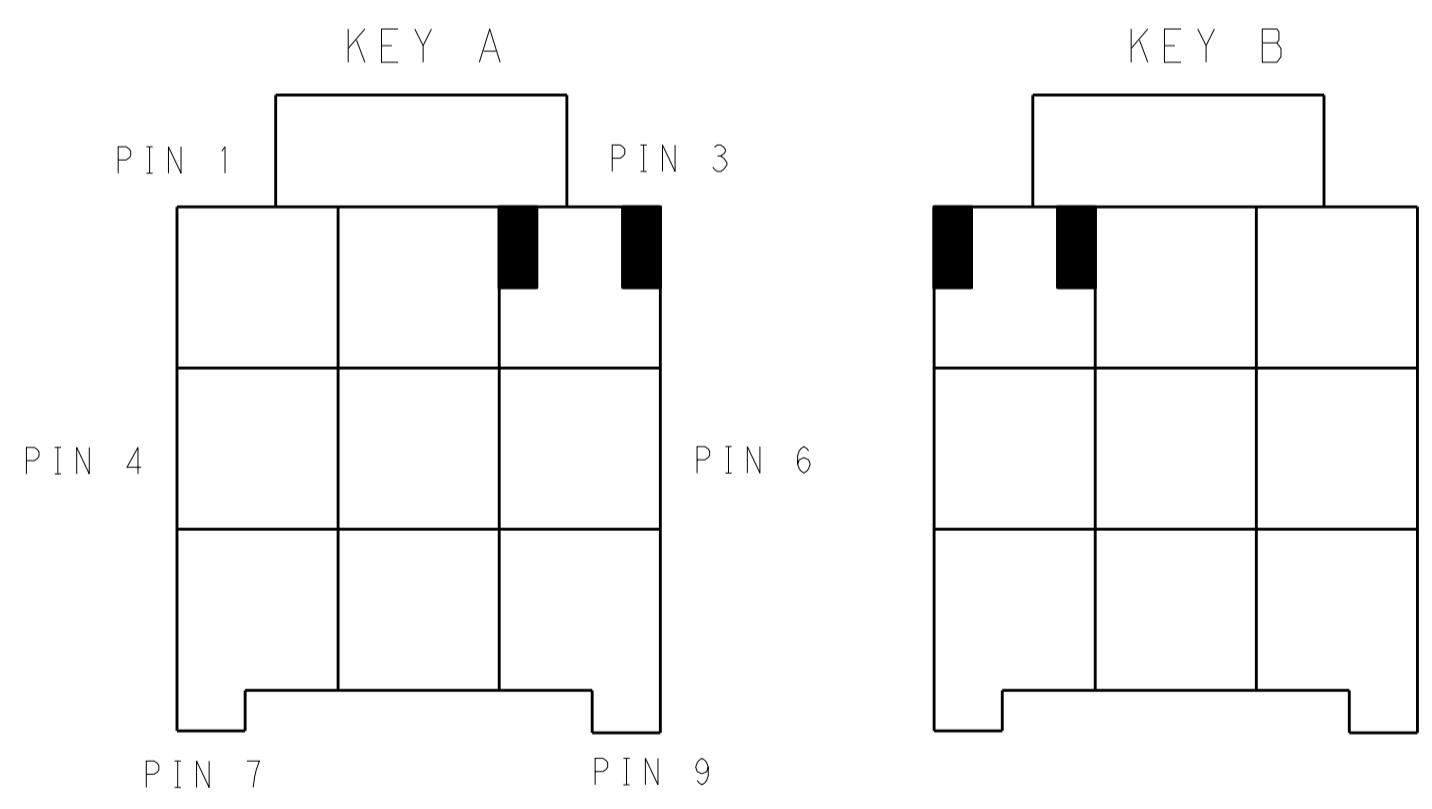


3*5	LEVEL A	DARK GREY	KEY A	5-2232360-7
		BROWN	KEY B	6-2232360-7
		GREEN	KEY C	7-2232360-7
		ORANGE	KEY D	8-2232360-7
3*4	LEVEL B	BLACK	KEY A	1-2232360-5
		DARK GREY	KEY A	5-2232360-4
		BROWN	KEY B	6-2232360-4
		GREEN	KEY C	7-2232360-4
3*3	LEVEL A	ORANGE	KEY D	8-2232360-4
		DARK GREY	KEY A	5-2232360-3
		BROWN	KEY B	6-2232360-3
		GREEN	KEY C	7-2232360-3
POS.	MATERIAL	COLOR	KEY	P/N

3*3 POSITIONS

3*4 POSITIONS

3*5 POSITIONS



KEYING FOR 3*3 POS.

KEYING FOR 3*4 POS.

KEYING FOR 3*5 POS.

THIS DRAWING IS A CONTROLLED DOCUMENT. DWG: TOMMY_WU 26MAR2013
 CHK: HAPYE_WU 26MAR2013
 APVD: YUHONG_MAO 26MAR2013

DIMENSIONS:	TOLERANCES UNLESS OTHERWISE SPECIFIED:	PRODUCT SPEC	NAME
mm	0 PLC ±0.35	108-106118	CAP HOUSING, FREE HANGING, TRIPLE ROW
	2 PLC ±0.25	APPLICATION SPEC	POWER TRIPLE LOCK
	4 PLC ±0.15	114-106118	
	ANGLES ±0.1	WEIGHT	
MATERIAL	FINISH	Customer Drawing	

SIZE: A1 CAGE CODE: 00779 DRAWING NO: 2232360 RESTRICTED TO SHEET 2 OF 2 REV A1

STE TE Connectivity