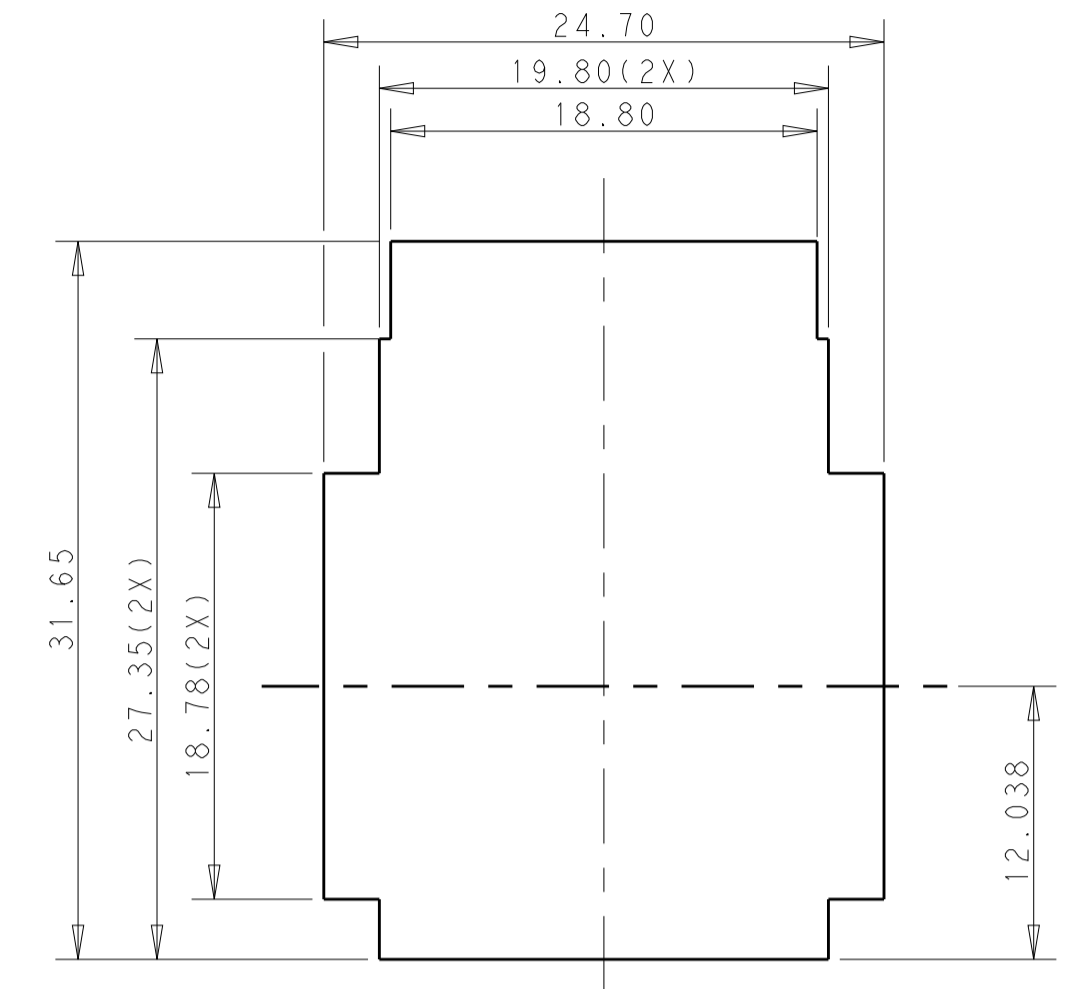
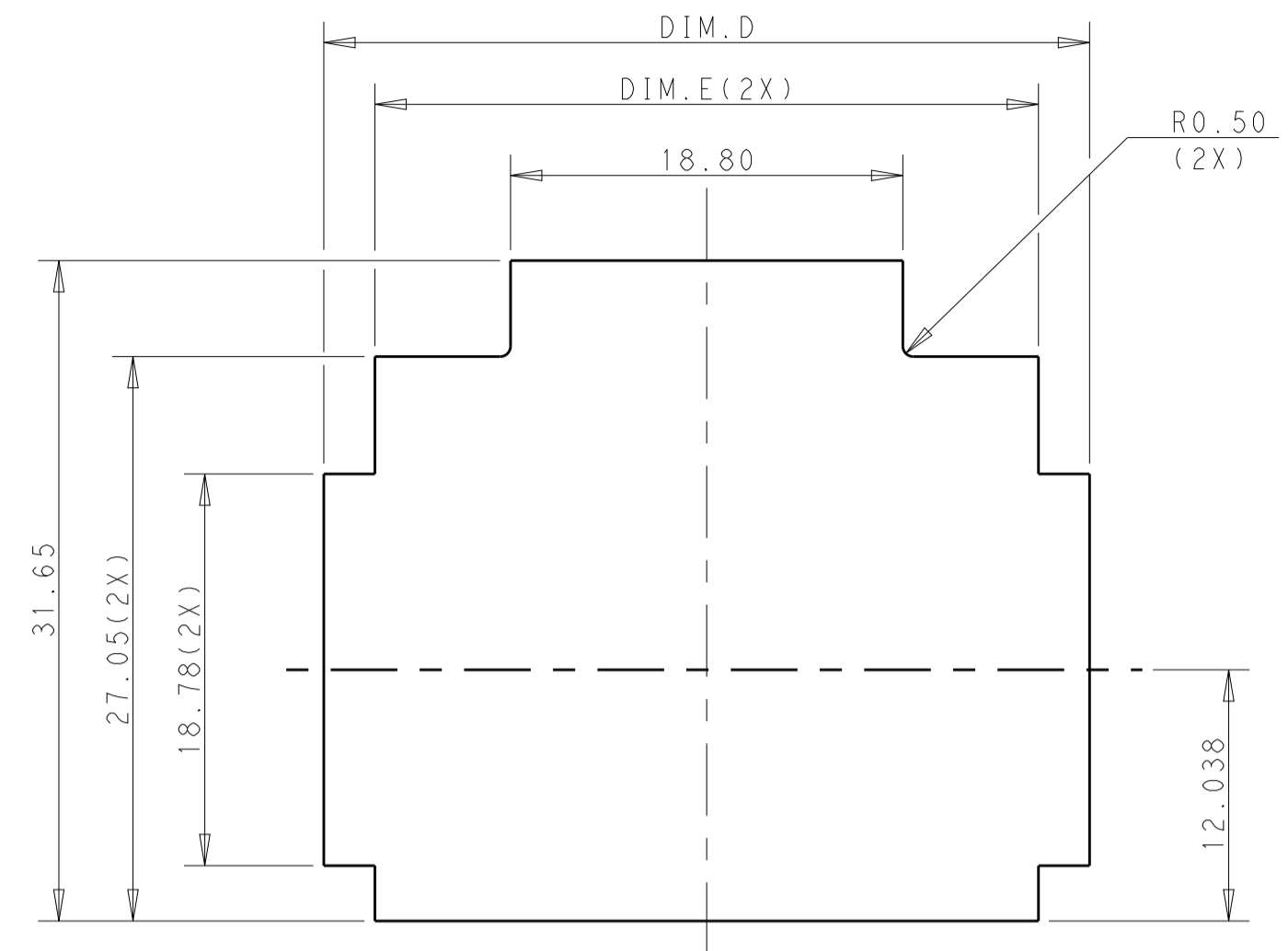
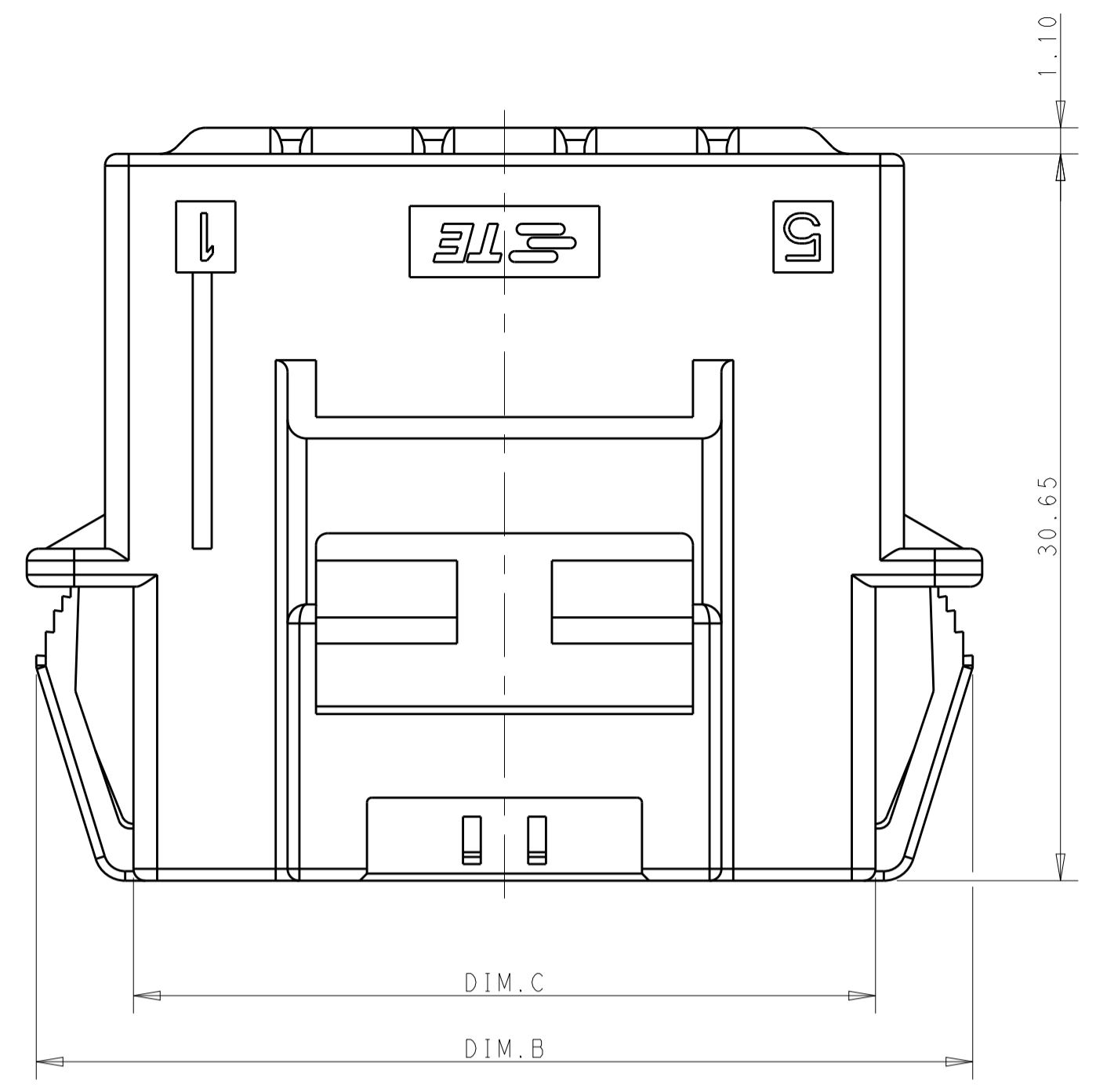
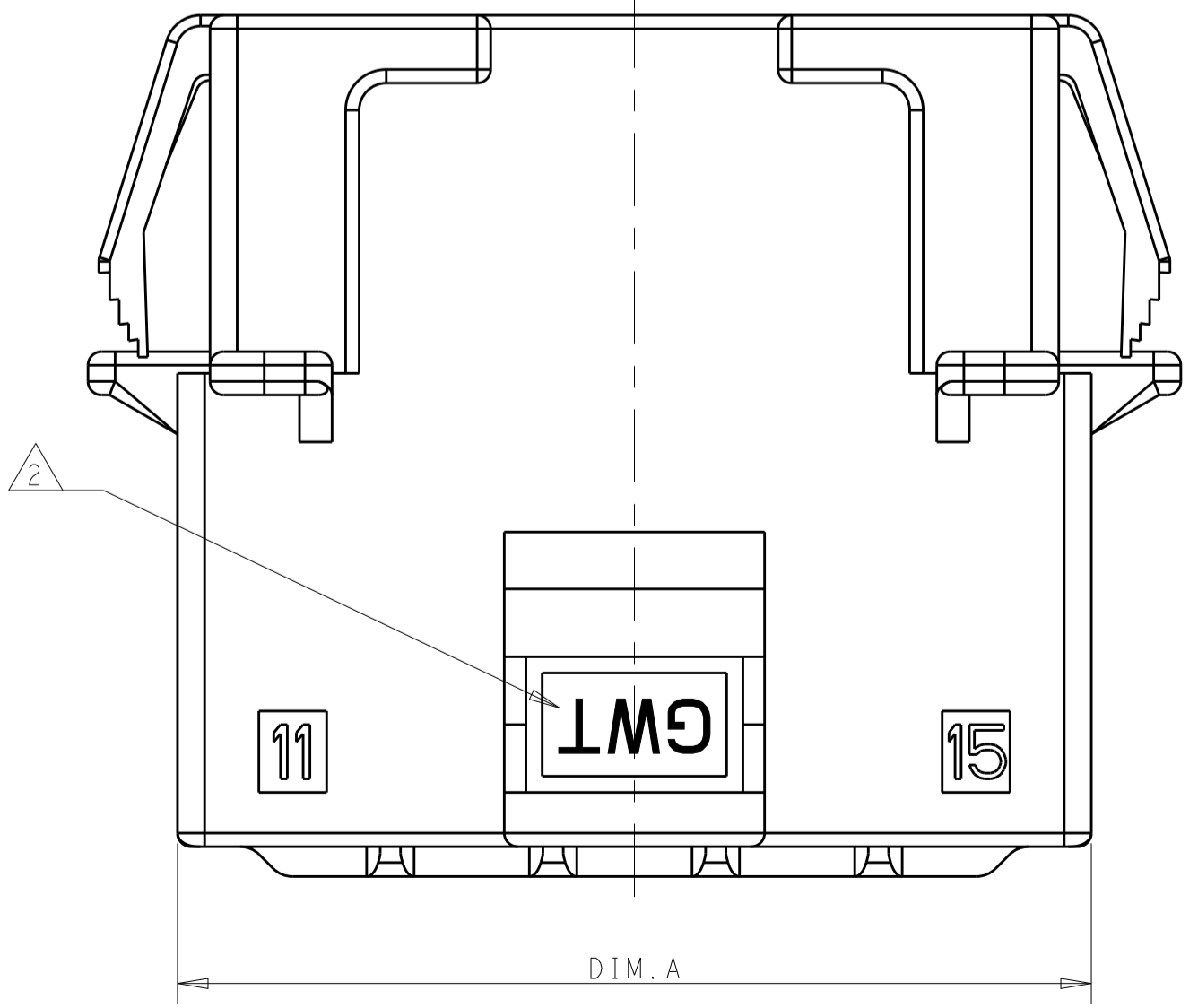
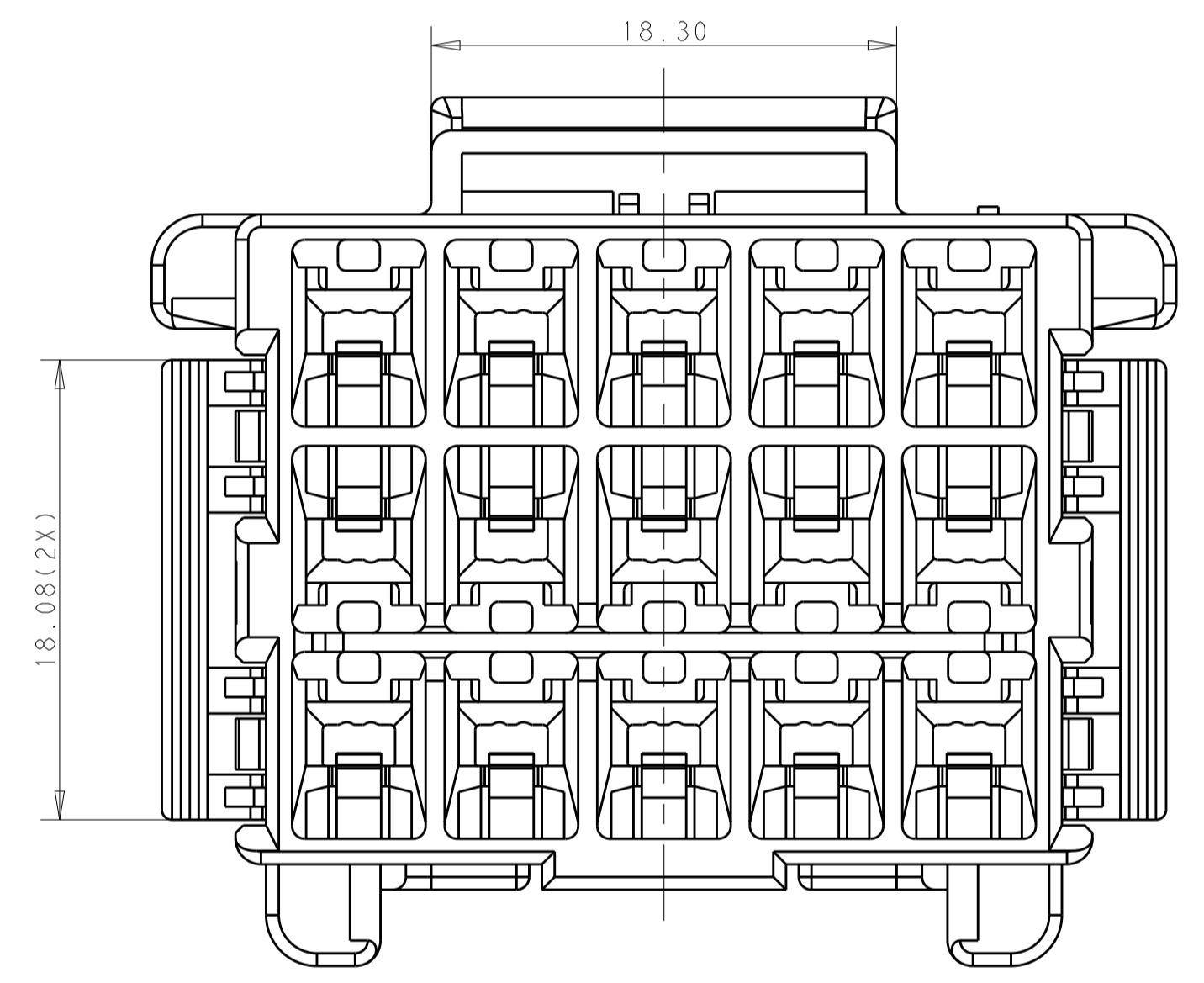
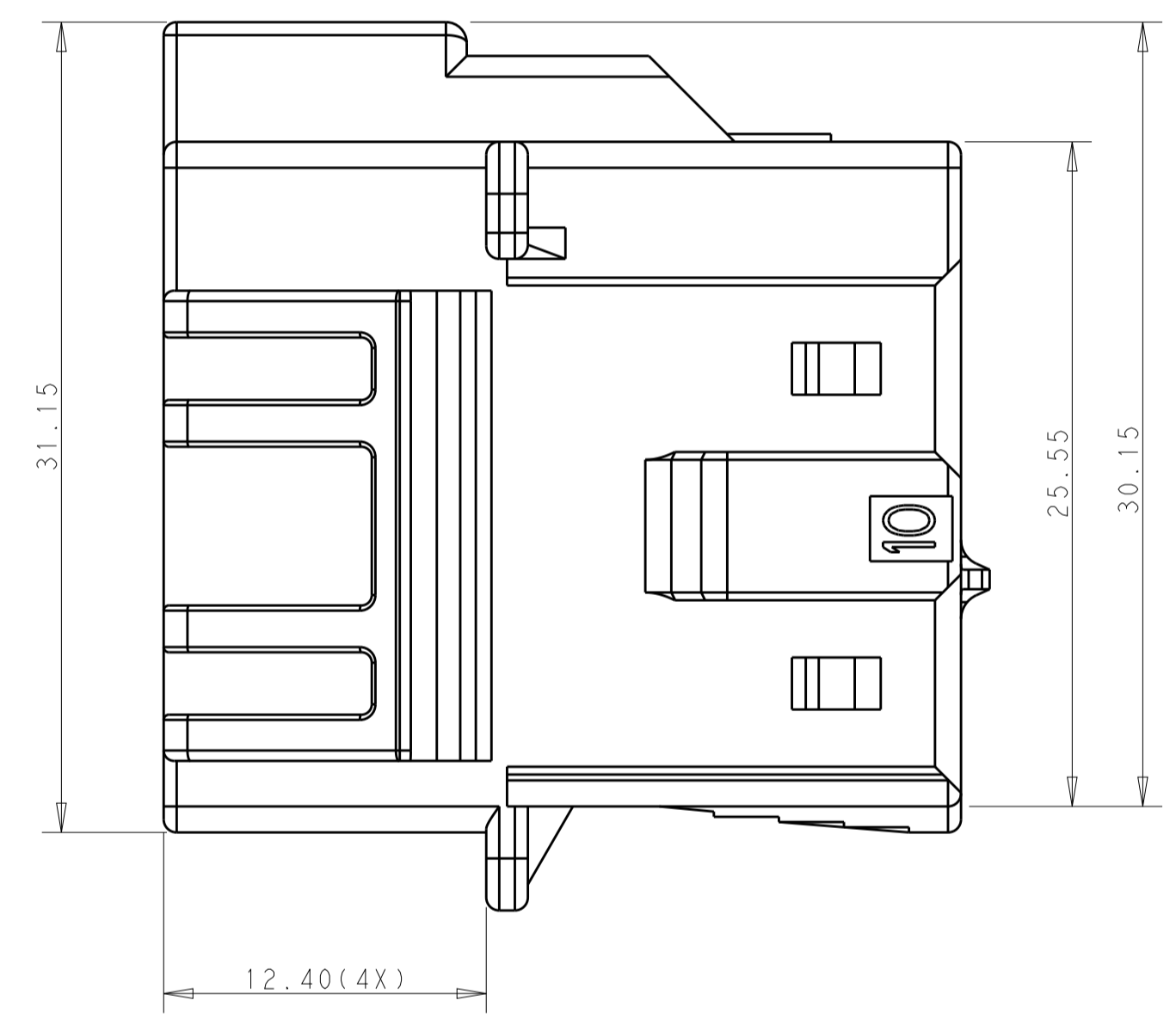
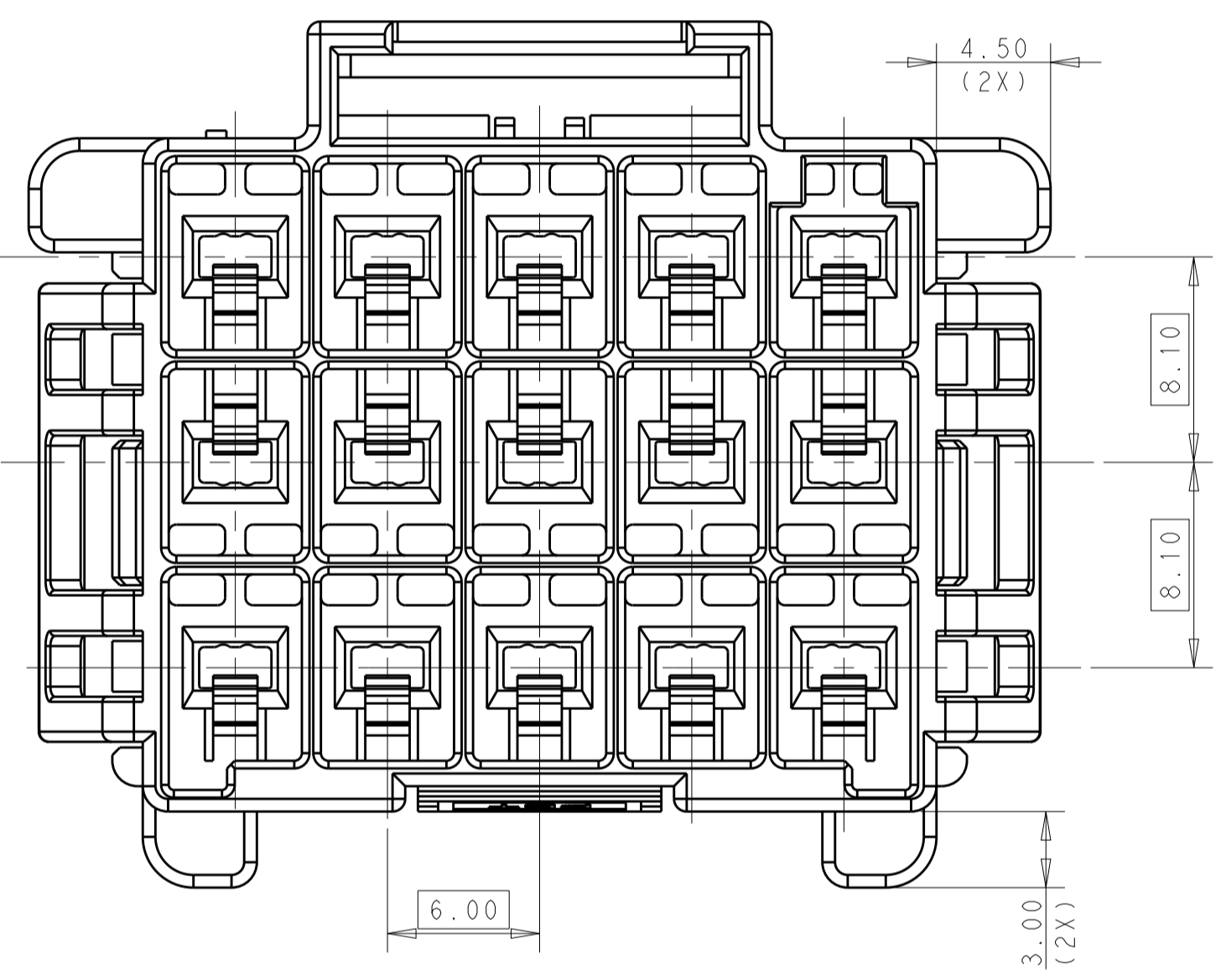


LOC		DIST		REVISIONS			
P	LTN	DESCRIPTION	DATE	DWN	APVD		
	A2	REVISED PER ECR-14-012623	03SEP2014	NK	GJ		



RECOMMENDED PANEL OPENING DIMENSIONS FOR CAP HOUSING 3\*5 AND 3\*4 POSITIONS (TOLERANCE: ±0.15mm)

RECOMMENDED PANEL OPENING DIMENSIONS FOR CAP HOUSING 3\*3 POSITION (TOLERANCE: ±0.15mm)



- NOTE
- MATERIAL:  
LEVEL A: PA6, COMPLY WITH GLOW WIRE REQUIREMENTS FOR PARTS OF NON-METALLIC MATERIAL SUPPORTING A CURRENT-CARRYING CONNECTION DETAILED IN IEC 60335-1, SECTION 30 (GWT), UL 94V-0  
LEVEL B: PBT, HOT WIRE IGNITION (HWI) VERSION ARE MOLDED IN A RESIN THAT COMPLIES WITH TE HOT WIRE IGNITION TEST 109-32026 AND ARE RECOMMENDED FOR USE WITH HWI HOUSINGS THAT ALSO COMPLY, UL 94V-0
  - MATERIAL MARK:  
LEVEL A:GWT,LEVEL B:HWT
  - APPLICABLE CONTACT P/N  
TAB CONTACT:1971238/1971780/82/84/86/88-\*
  - MATING CONN. P/N  
PLUG HSG: \*-2232357-  
DOUBLE ROW LOCK PLATE: \*-1971778-;SINGLE ROW LOCK PLATE: \*-1971777-\*
  - RECOMMENDED PANEL THICKNESS:1.0~2.0mm

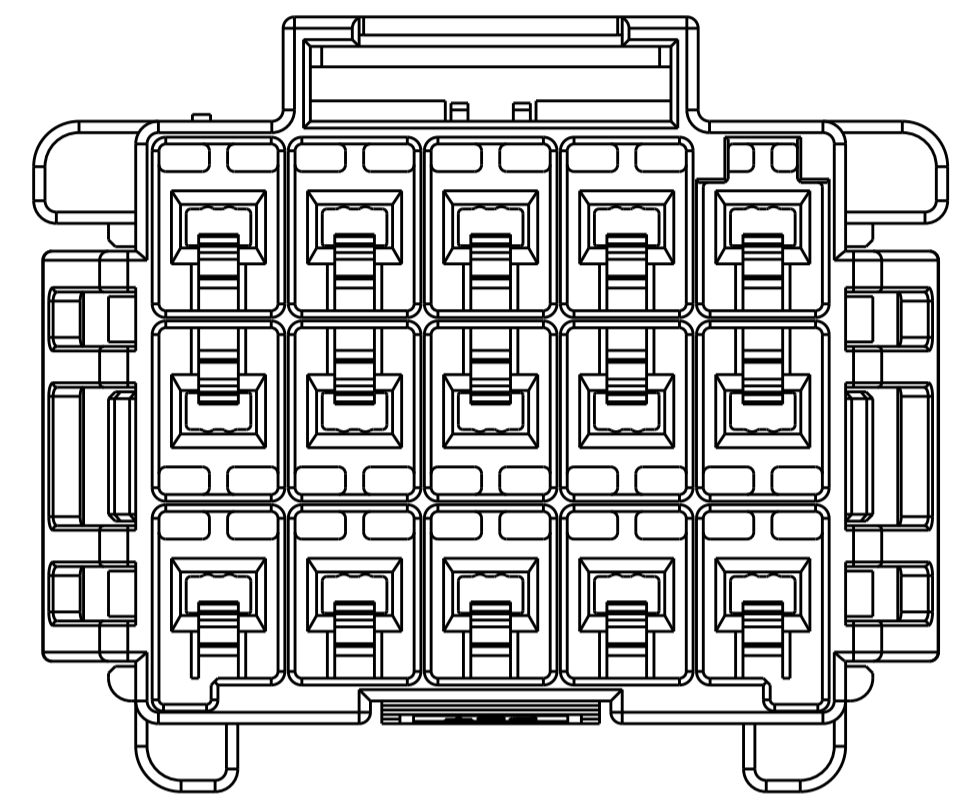
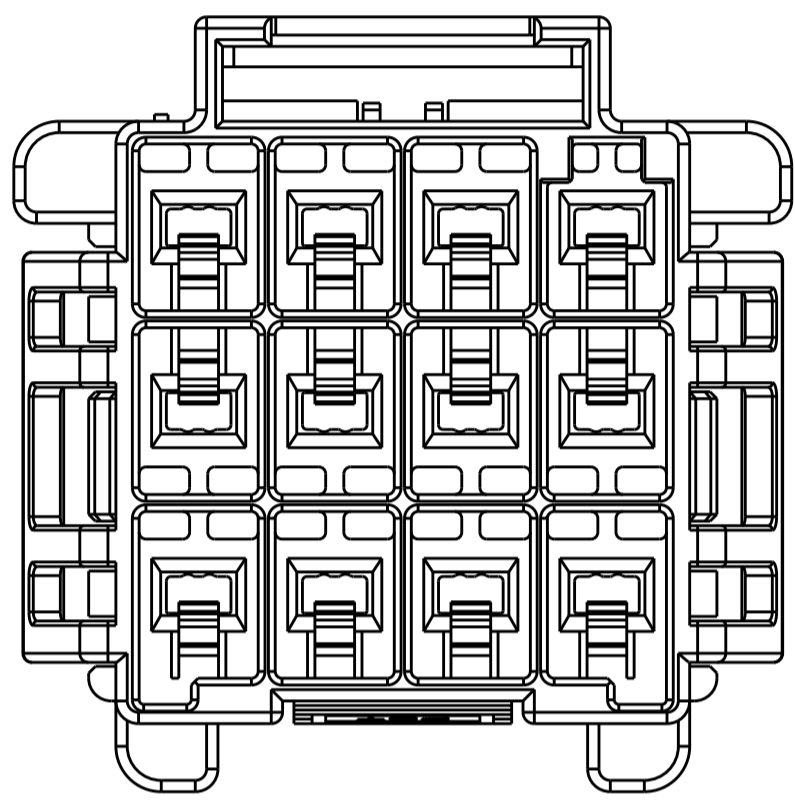
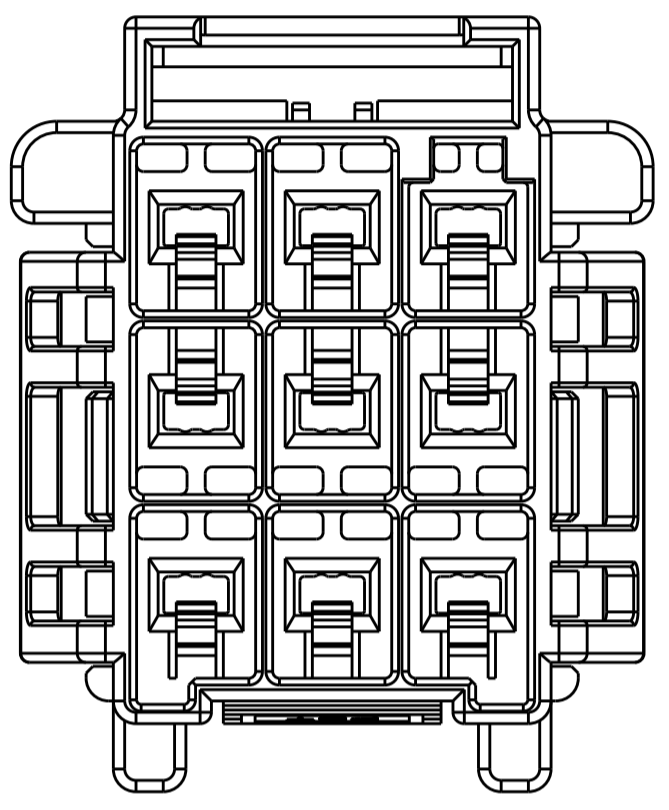
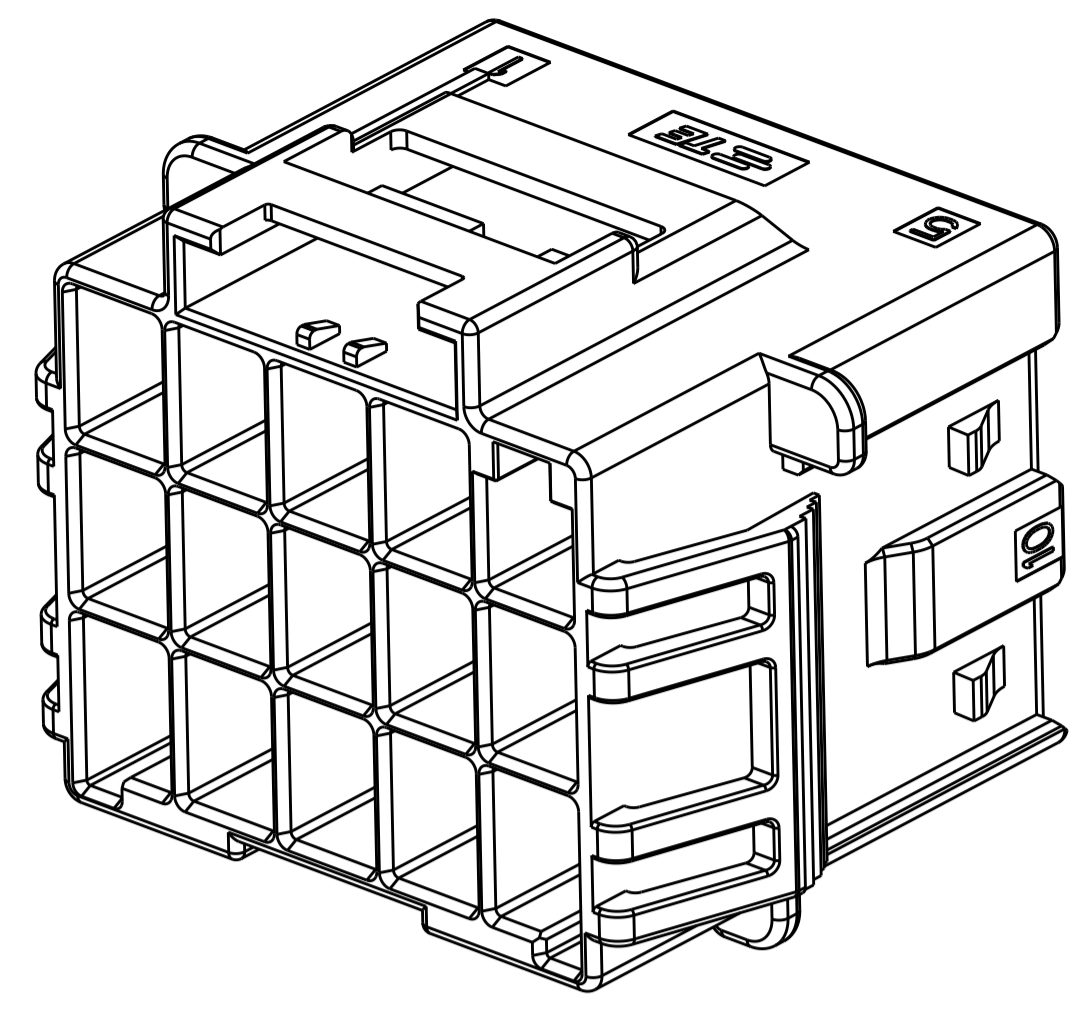
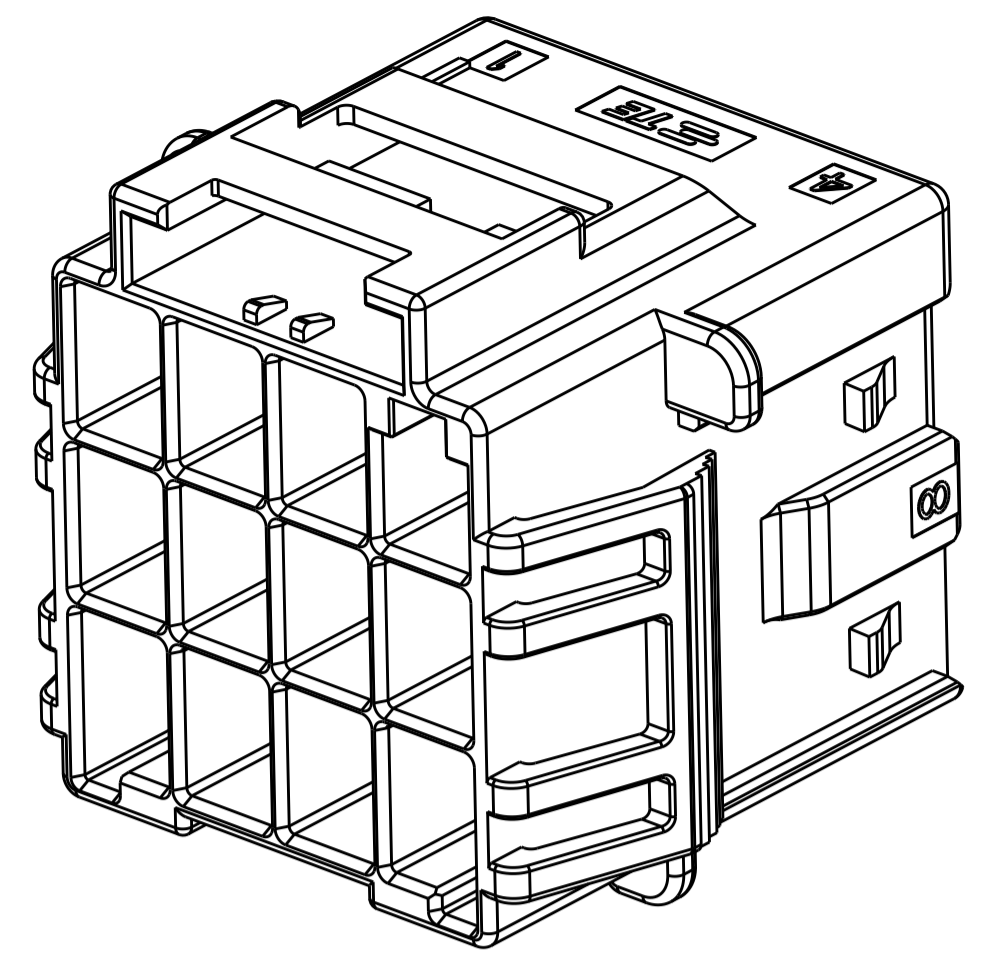
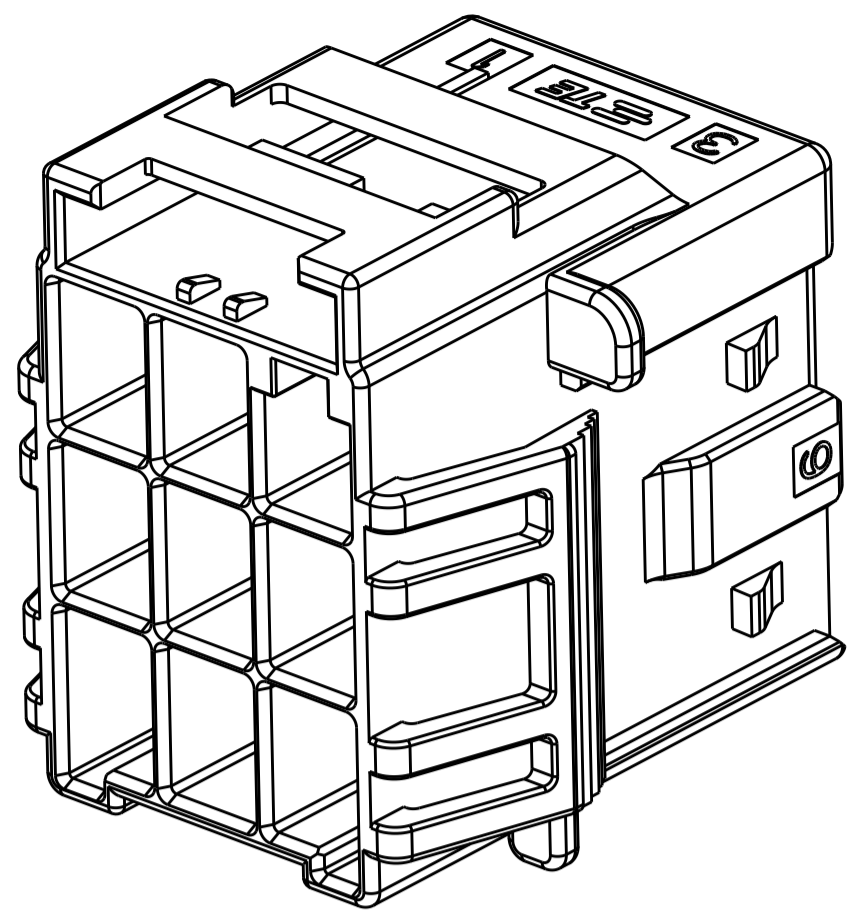
6. This product has not completed validation testing.

POS	A	B	C	D	E
3*5	33.70	39.5	31.30	36.70	31.80
3*4	27.70	33.5	25.30	30.70	25.80
3*3	21.70	27.5	19.30		

THIS DRAWING IS A CONTROLLED DOCUMENT.

DIMENSIONS:	TOLERANCES UNLESS OTHERWISE SPECIFIED:	DWN TOMMY WU 26MAR2013	TE Connectivity NAME CAP HOUSING,PANEL MOUNT,TRIPLE ROW POWER TRIPLE LOCK
mm	0 PLC ±	CHK HAPYE WU 26MAR2013	
	1 PLC ±0.35	APVD YUHONG MAO 26MAR2013	
	2 PLC ±0.25	PRODUCT SPEC	
	3 PLC ±	APPLICATION SPEC	SIZE CAGE CODE DRAWING NO
	4 PLC ±	114-106118	A100779C=2232356
	ANGLES ±	WEIGHT	RESTRICTED TO
MATERIAL	FINISH	Customer Drawing	SCALE SHEET 1 OF 2 REV A2

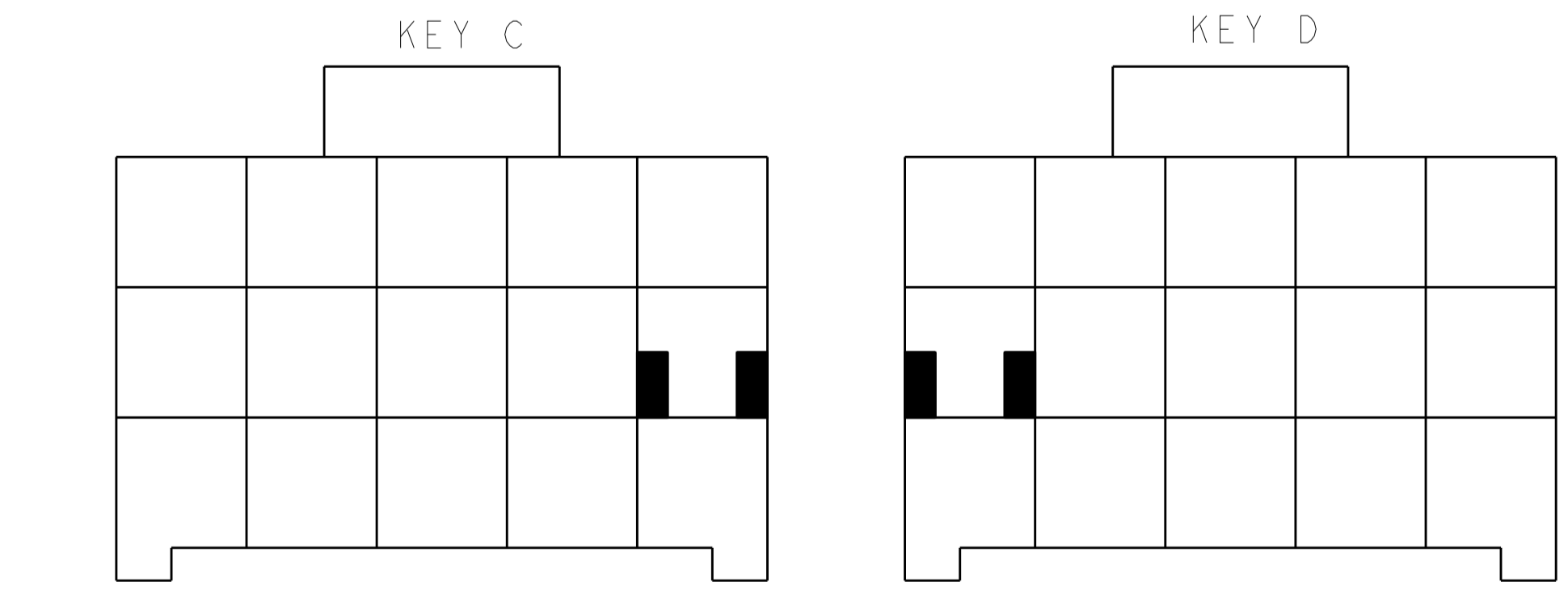
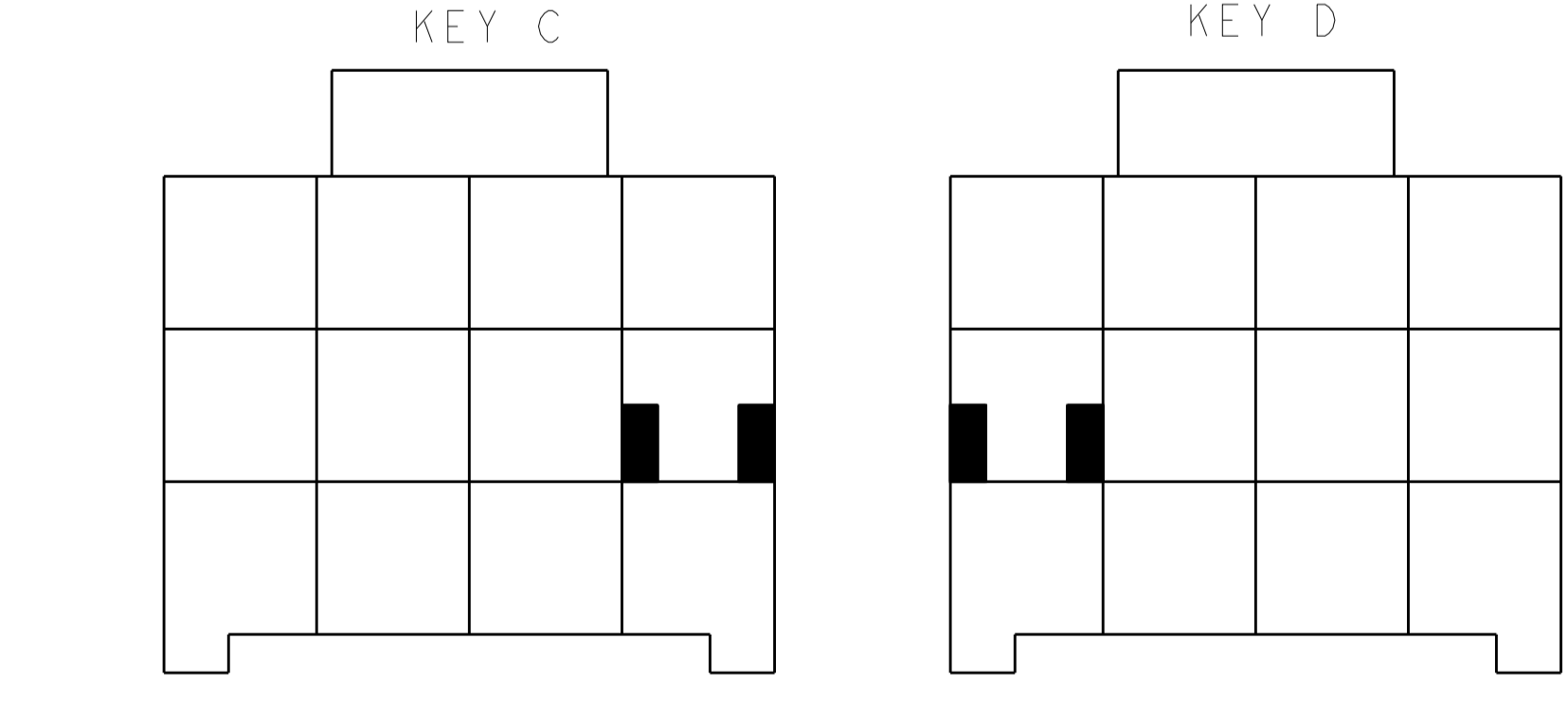
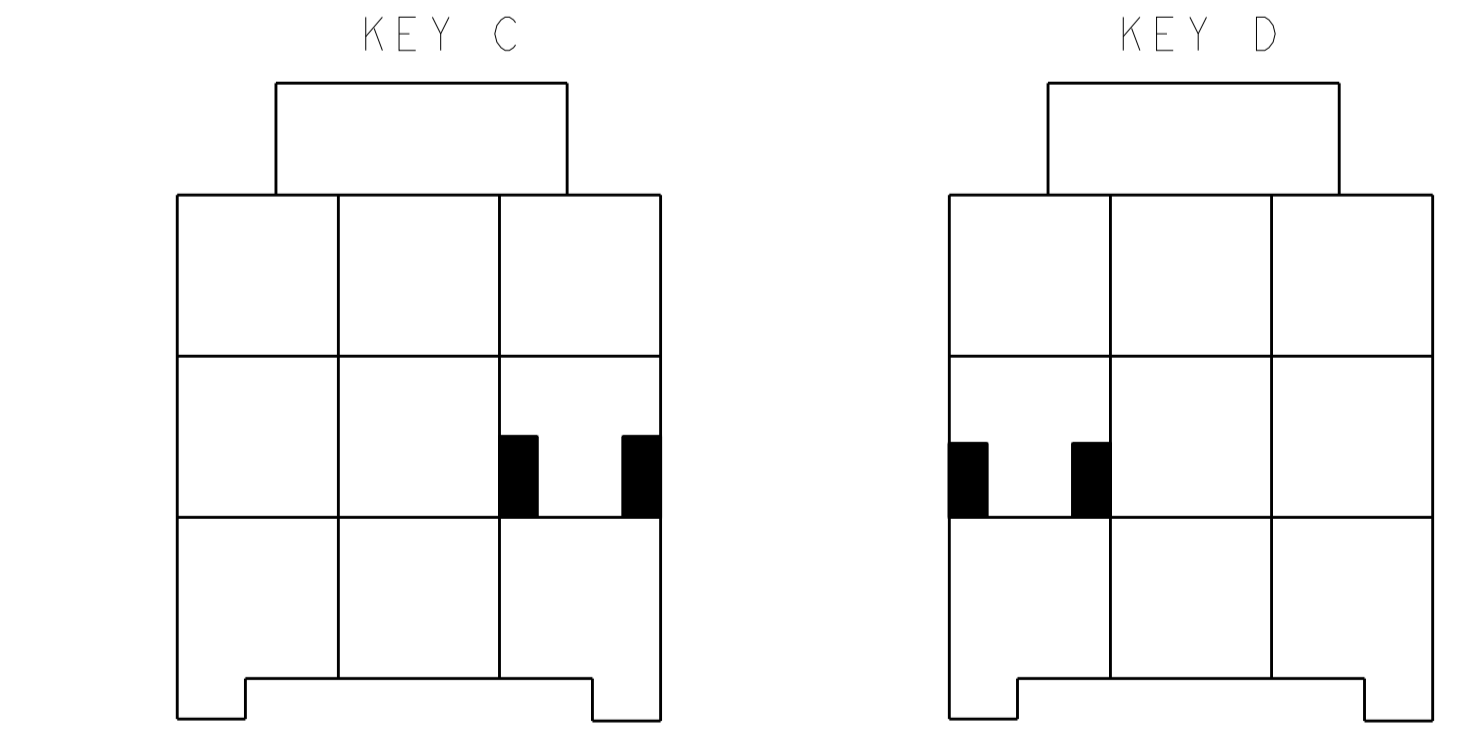
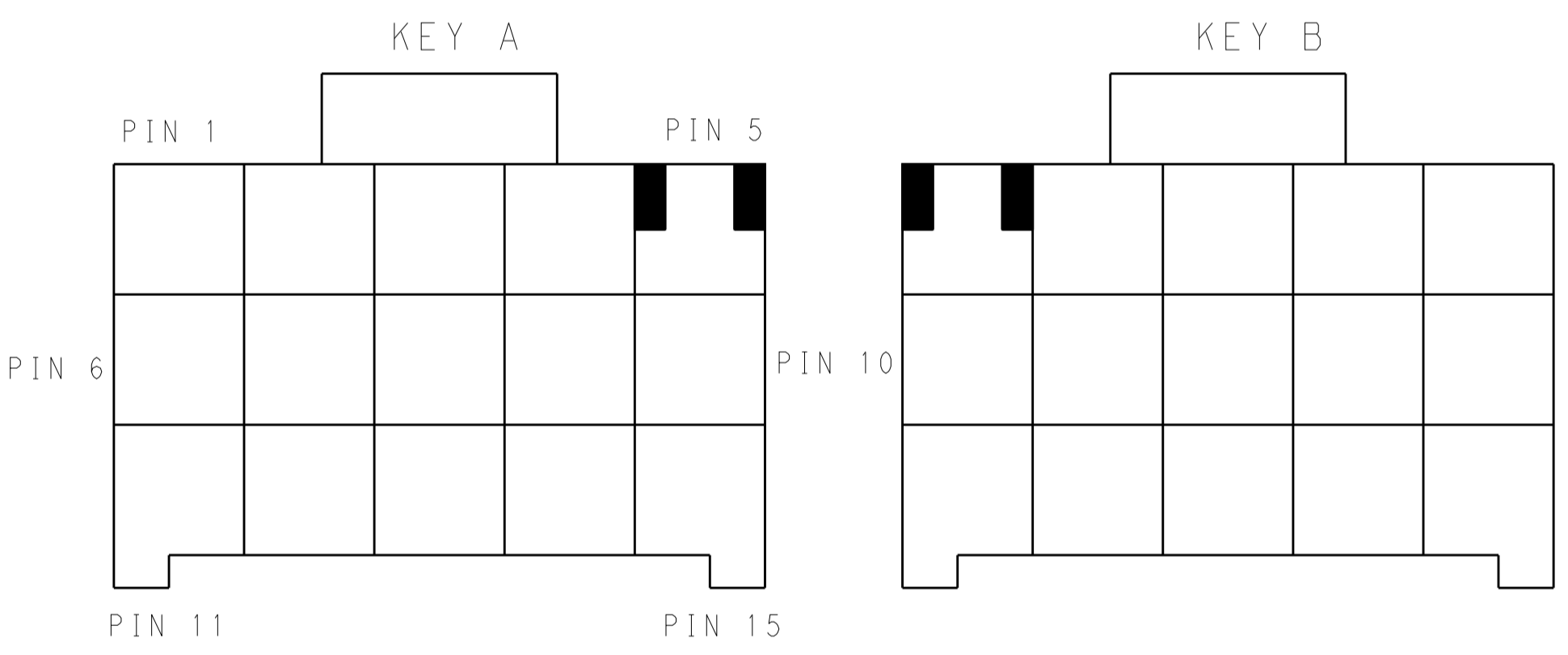
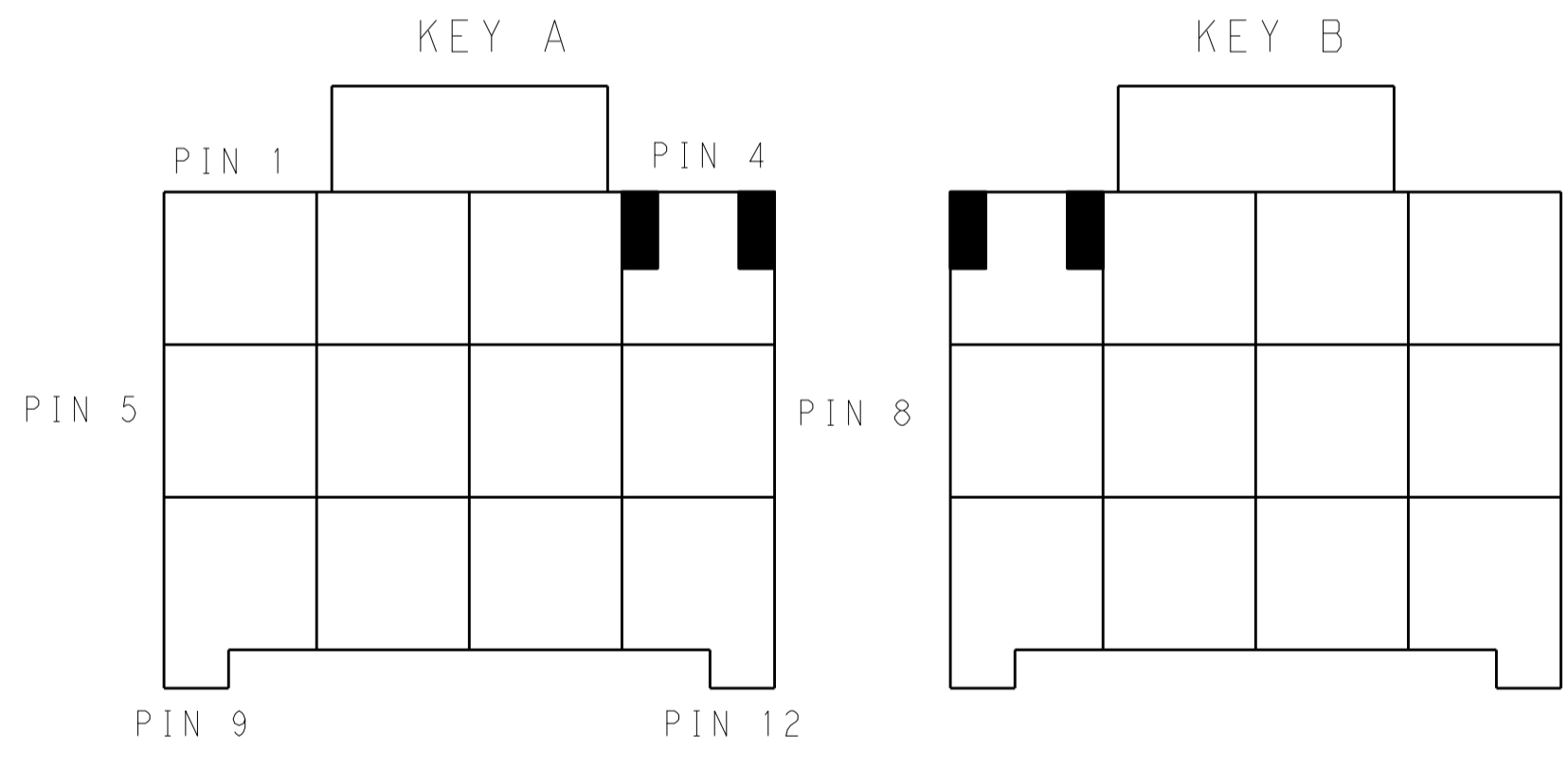
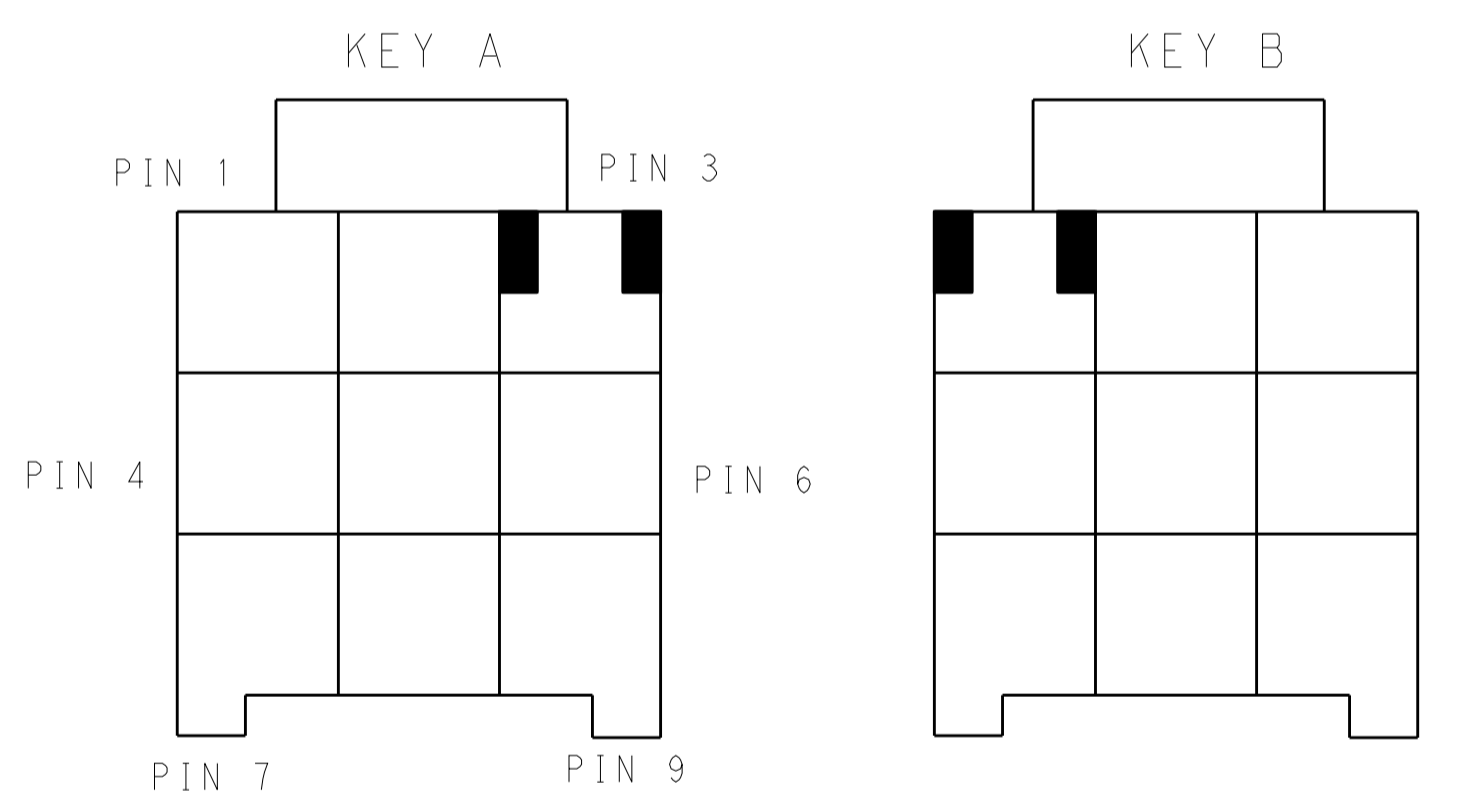
LOC		DIST		REVISIONS			
P	LTN	DESCRIPTION	DATE	DMN	APVD		
-	-	SEE SHEET 1	-	-	-	-	-



3\*3 POSITIONS

3\*4 POSITIONS

3\*5 POSITIONS



KEYING FOR 3\*3 POS.

KEYING FOR 3\*4 POS.

KEYING FOR 3\*5 POS.

POS.	MATERIAL	COLOR	KEY	P/N
3*5	LEVEL A	DARK GREY	KEY A	5-2232356-7
		BROWN	KEY B	6-2232356-7
		GREEN	KEY C	7-2232356-7
		ORANGE	KEY D	8-2232356-7
3*4	LEVEL B	BLACK	KEY A	1-2232356-5
		DARK GREY	KEY A	5-2232356-4
		BROWN	KEY B	6-2232356-4
		GREEN	KEY C	7-2232356-4
3*3	LEVEL A	ORANGE	KEY D	8-2232356-4
		DARK GREY	KEY A	5-2232356-3
		BROWN	KEY B	6-2232356-3
		GREEN	KEY C	7-2232356-3
3*3	LEVEL B	ORANGE	KEY D	8-2232356-3
		BLACK	KEY A	1-2232356-6

THIS DRAWING IS A CONTROLLED DOCUMENT. DIMENSIONS: mm. TOLERANCES UNLESS OTHERWISE SPECIFIED: 0 PLC ±0.15, 1 PLC ±0.35, 2 PLC ±0.25, 3 PLC ±0.25, 4 PLC ±0.25, ANGLES ±0.5°. MATERIAL: -. FINISH: -. DWN: TOMMY WU 26MAR2013, CHK: HAPYE WU 26MAR2013, APVD: YUHONG MAO 26MAR2013. PRODUCT SPEC: 108-106118, APPLICATION SPEC: 114-106118, WEIGHT: -. Customer Drawing. SCALE: - SHEET 2 OF 2 REV: A2. NAME: CAP HOUSING, PANEL MOUNT, TRIPLE ROW POWER TRIPLE LOCK. SIZE: A100779. CAGE CODE: 2232356.