

4

3

2

1

THIS DRAWING IS UNPUBLISHED.

RELEASED FOR PUBLICATION

20

© COPYRIGHT 20 BY -

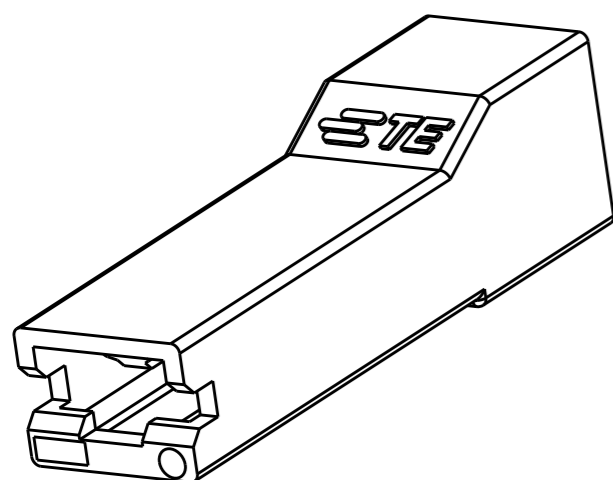
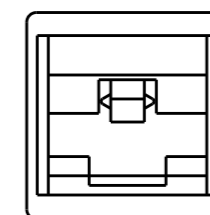
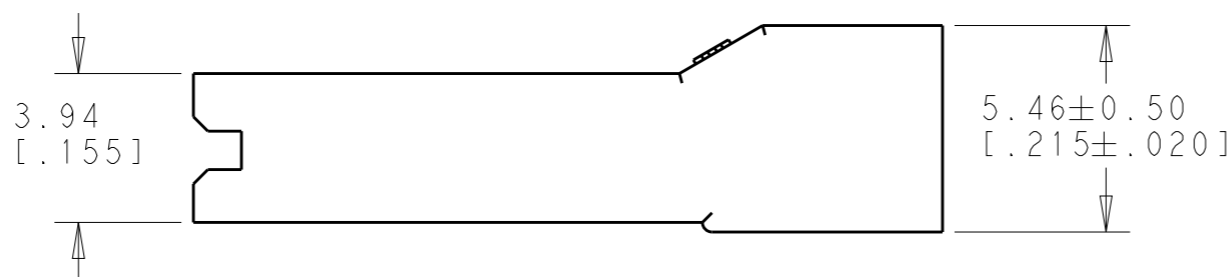
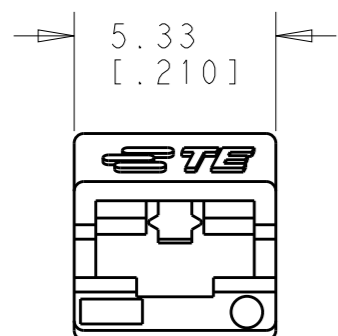
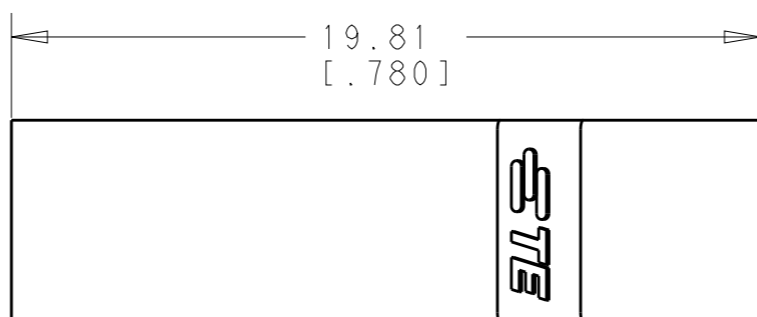
ALL RIGHTS RESERVED.

LOC	DIST
AF	50

REVISIONS

P	LTR	DESCRIPTION	DATE	DWN	APVD
	A2	RELEASED PER ECO 13-007956	15MAY13	JR	PD

1 THIS HOUSING ACCEPTS A 2.79 [.110] SERIES PART NUMBER 1742975-1.

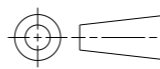


1969534-1

PART NO.

THIS DRAWING IS A CONTROLLED DOCUMENT.

DIMENSIONS:
mm [INCHES]



TOLERANCES UNLESS OTHERWISE SPECIFIED:

- 0 PLC ±-
- 1 PLC ±-
- 2 PLC ±0.38 [.015]
- 3 PLC ±-
- 4 PLC ±-
- ANGLES ±-
- FINISH ±-

MATERIAL NYLON, V0 FINISH NATURAL

DWN 18MAY2012
JR RUTH

CHK 18MAY2012
PETE DESANTIS

APVD 18MAY2012
PETE DEANTIS

STC TE Connectivity

NAME HOUSING, RECEPTACLE, POSI-LOCK, .110 SERIES

PRODUCT SPEC -

APPLICATION SPEC -

WEIGHT -

SIZE	CAGE CODE	DRAWING NO	RESTRICTED TO
A3	00779	C-1969534	-

Customer Drawing SCALE 5:1 SHEET 1 OF 1 REV A2