

H G F E D C B A

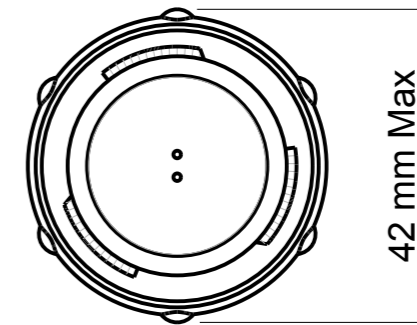
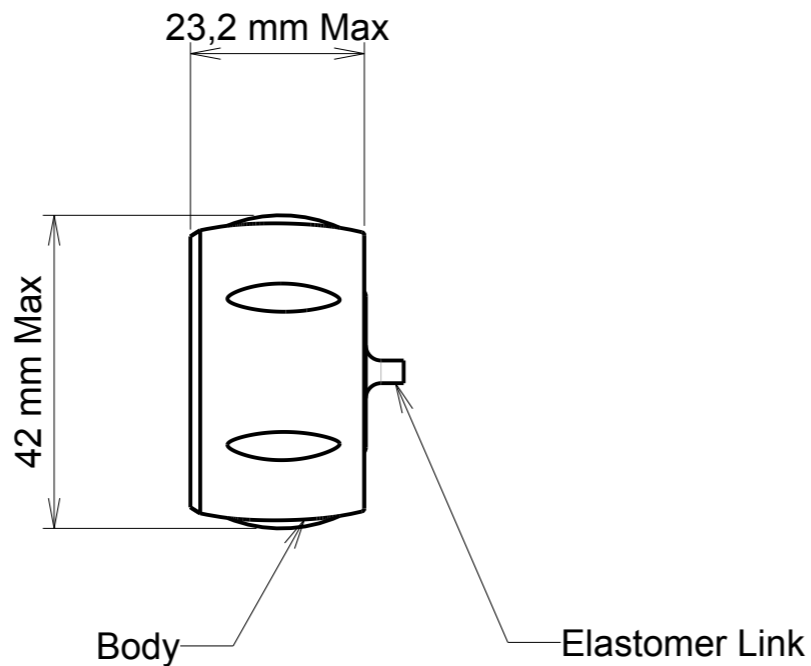
b : 0 : 9

4

3

2

1



PACKAGING :

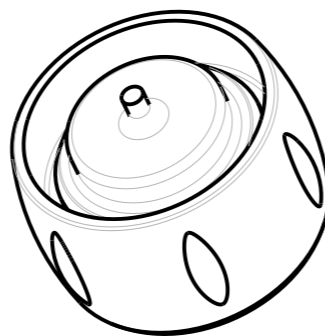
- 1 part per plastic bag
- Label with SOURIAU code on every bags

MATERIAL:

Body : Polyamid UL94 V-0
Elastomer link : Elastomer

NOTES :

- Operating temperature : -40°C up to +105°C
- This cap is a water and dust protected version.



P/N		UTS18DCG2		
b	31/10/13	-- -- -- The rubber wire is cut		22753K
ISS	DATE	Latest modification - by: M.SORLIN		MOD N°
Designed by: M.SORLIN		Date: 03/07/13	Type of drawing: CUSTOMER	
Checked by: SEE DISTRIBUTION LIST		Date: SEE DISTRIBUTION LIST		
TITLE		Cap for receptacle UTS Size 18 UNITBOX		
Scale	General angular	MATERIAL --		
1/1	Tolerances: ± 1°	--		
	General linear	General machining surface texture	Ra 3.2	Geometrical Tolerances
	Tolerances : ±0.1			See NF EN ISO 1101
SOURIAU		SOURIAU Route Nationale 23 72470 CHAMPAGNE Tel. (33)02.43.54.35.00		This document is the property of SOURIAU It must not be reproduced or communicated without permission
FORMAT	DRAWING REFERENCE			SHEET
A3	UTS18DCG2-C01			1 / 1

4

3

2

1

H G F E D C B A